



Chipsmall Limited consists of a professional team with an average of over 10 year of expertise in the distribution of electronic components. Based in Hongkong, we have already established firm and mutual-benefit business relationships with customers from,Europe,America and south Asia,supplying obsolete and hard-to-find components to meet their specific needs.

With the principle of “Quality Parts,Customers Priority,Honest Operation,and Considerate Service”,our business mainly focus on the distribution of electronic components. Line cards we deal with include Microchip,ALPS,ROHM,Xilinx,Pulse,ON,Everlight and Freescale. Main products comprise IC,Modules,Potentiometer,IC Socket,Relay,Connector.Our parts cover such applications as commercial,industrial, and automotives areas.

We are looking forward to setting up business relationship with you and hope to provide you with the best service and solution. Let us make a better world for our industry!



## Contact us

Tel: +86-755-8981 8866 Fax: +86-755-8427 6832

Email & Skype: info@chipsmall.com Web: www.chipsmall.com

Address: A1208, Overseas Decoration Building, #122 Zhenhua RD., Futian, Shenzhen, China



4

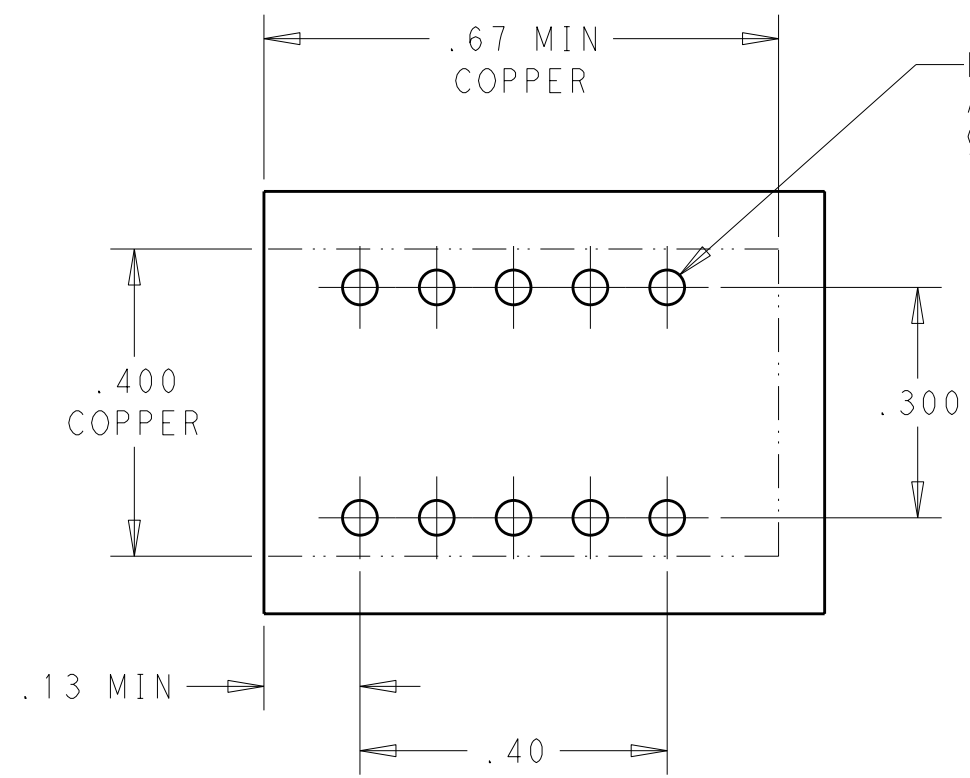
3

2

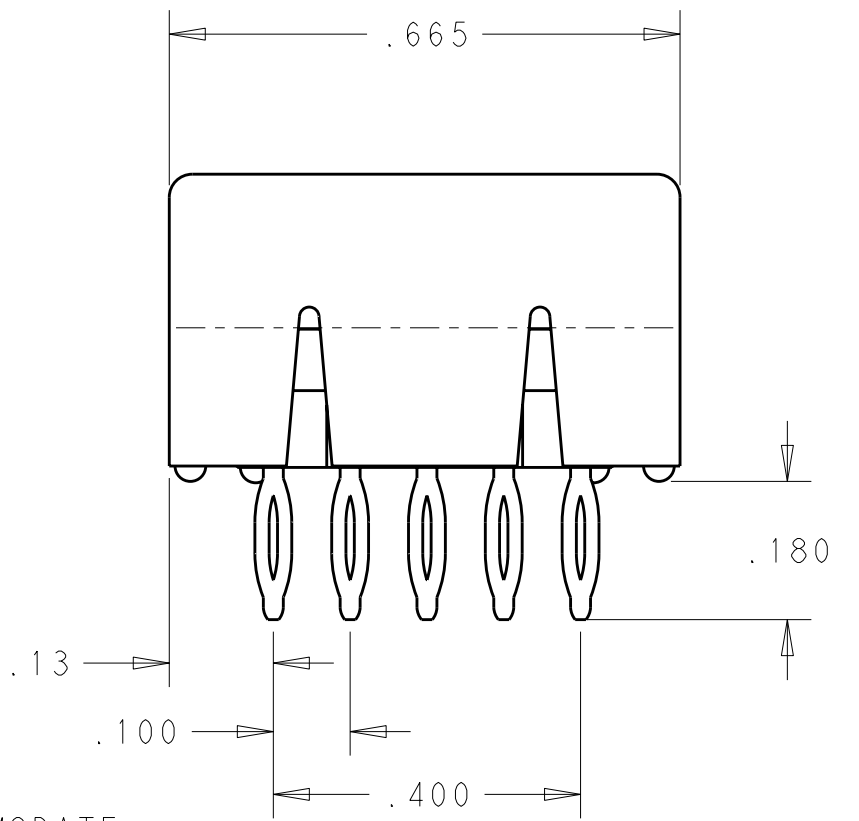
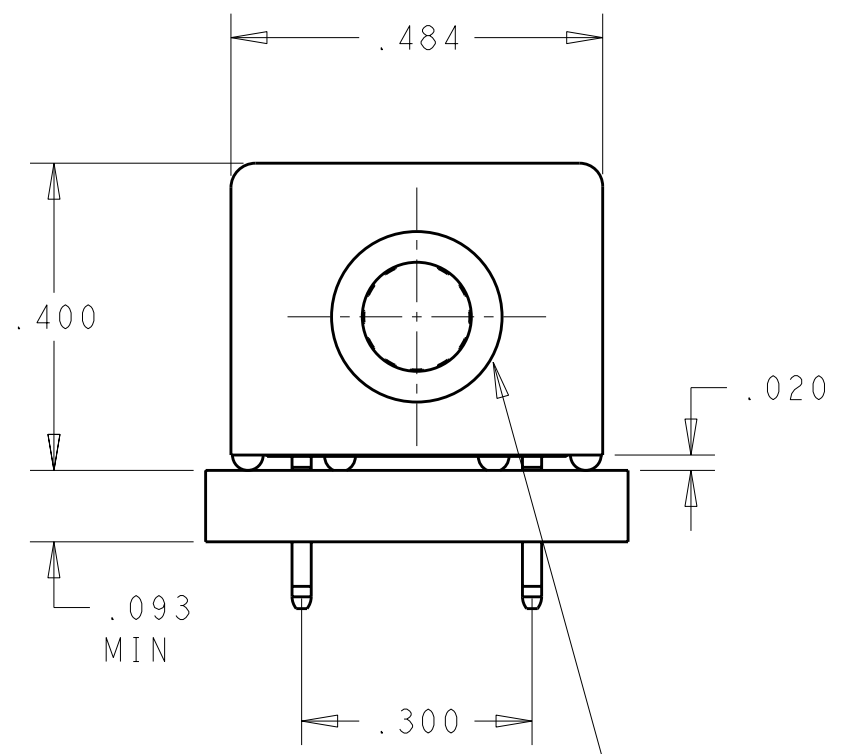
1

THIS DRAWING IS UNPUBLISHED. RELEASED FOR PUBLICATION 20  
 © COPYRIGHT 20 TE ALL RIGHTS RESERVED.

LOC	DIST	REVISIONS				
P	LTR	DESCRIPTION	DATE	DWN	APVD	
GP	00	B	REV PER ECO-11-007678	03JUN2011	RG DO	



DRILL HOLE  $\varnothing 0.0453 \pm .001$   
 AFTER PLATING  
 $\varnothing .043 / .037$   
 10X



TO ACCOMODATE  
 $\varnothing .142$  PIN

- PART NUMBER CHANGES AND/OR DESIGN CHANGES AFFECTING ITEM INTERCHANGEABILITY REQUIRE PRIOR TO APPROVAL AND AUTHORIZATION BY REVISION TO THIS DRAWING.
- ITEMS PROVIDED TO THIS SPECIFICATION TO BE IDENTIFIED ON CONTAINER WITH THE FOLLOWING INFORMATION: PART NUMBER & DATE CODE OF MGR

3 MATERIALS:  
 INSULATOR - POLYESTER, GLASS FILLED UL 94V-0 RATED, COLOR: BLACK  
 MODULE - ZINC ALLOY  
 COMPLIANT PINS - PHOSPHOR BRONZE  
 CROWN - BeCu

4 FINISH:  
 MODULE - SILVER PLATED .000200 MIN THK. OVER NICKEL .000040 MIN THK.  
 COMPLIANT PINS - SILVER PLATED .000200 MIN THK. OVER NICKEL .000040 MIN THK.  
 CROWN - GOLD PLATED .000030 MIN THK. OVER NICKEL .000040 MIN THK.

6643272-1  
 PART NUMBER

THIS DRAWING IS A CONTROLLED DOCUMENT.		DWN CANT/GRZYBOWSKI	03JUN2011		 TE Connectivity
DIMENSIONS: INCHES		CHK -	-		
TOLERANCES UNLESS OTHERWISE SPECIFIED:		APVD CHAU/ORRIS	03JUN2011		NAME ICCON SOCKET, PARALLEL COMPLIANT PIN
0 PLC ±- 1 PLC ±- 2 PLC ±.020 3 PLC ±.010 4 PLC ±- ANGLES ±.5		PRODUCT SPEC -	APPLICATION SPEC -		SIZE A3
MATERIAL 3	FINISH 4	WEIGHT -	CAGE CODE 00779	DRAWING NO C-6643272	RESTRICTED TO -
CUSTOMER DRAWING			SCALE 4:1	SHEET 1 OF 1	REV B