



Chipsmall Limited consists of a professional team with an average of over 10 year of expertise in the distribution of electronic components. Based in Hongkong, we have already established firm and mutual-benefit business relationships with customers from,Europe,America and south Asia,supplying obsolete and hard-to-find components to meet their specific needs.

With the principle of “Quality Parts,Customers Priority,Honest Operation,and Considerate Service”,our business mainly focus on the distribution of electronic components. Line cards we deal with include Microchip,ALPS,ROHM,Xilinx,Pulse,ON,Everlight and Freescale. Main products comprise IC,Modules,Potentiometer,IC Socket,Relay,Connector.Our parts cover such applications as commercial,industrial, and automotives areas.

We are looking forward to setting up business relationship with you and hope to provide you with the best service and solution. Let us make a better world for our industry!



Contact us

Tel: +86-755-8981 8866 Fax: +86-755-8427 6832

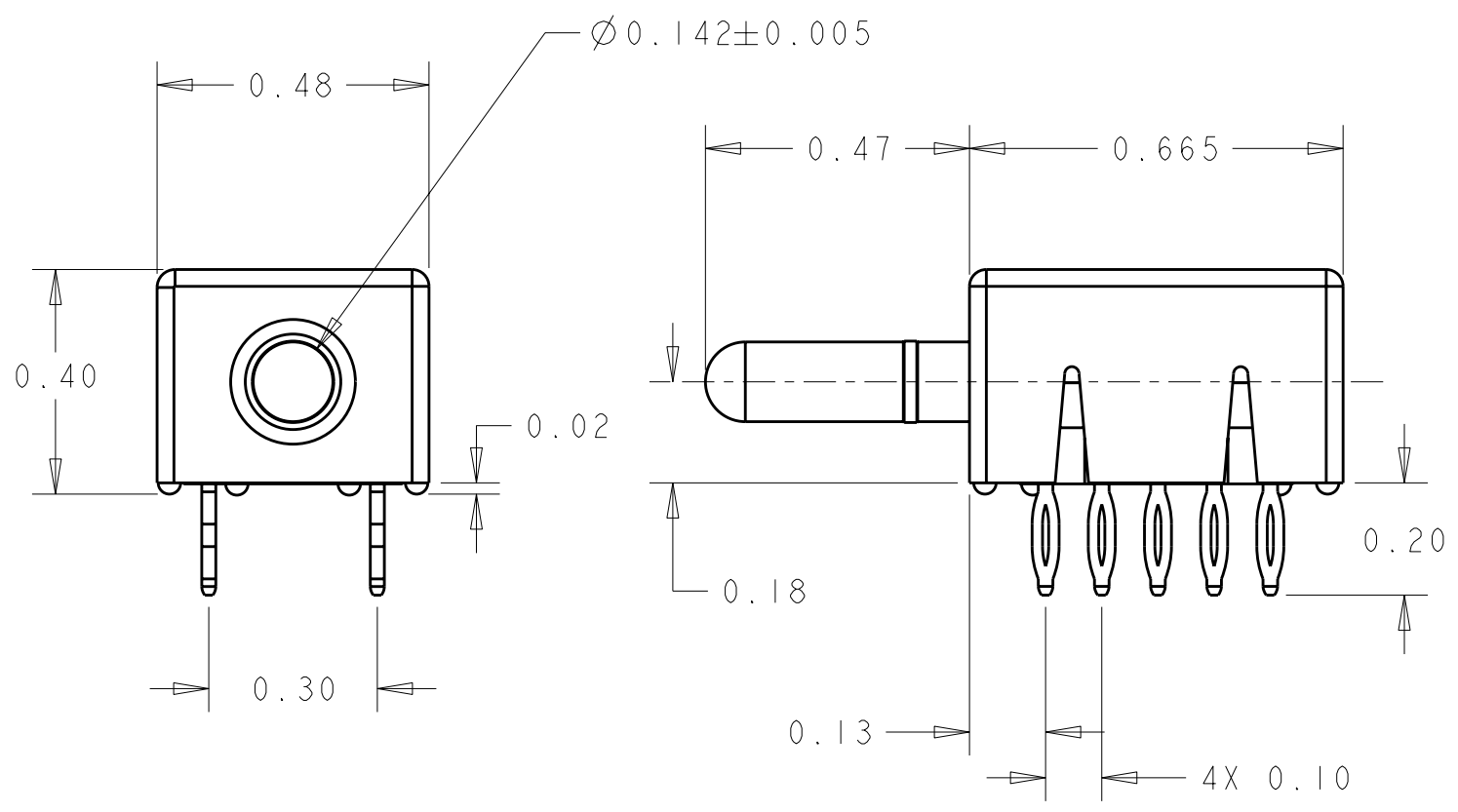
Email & Skype: info@chipsmall.com Web: www.chipsmall.com

Address: A1208, Overseas Decoration Building, #122 Zhenhua RD., Futian, Shenzhen, China



THIS DRAWING IS UNPUBLISHED. RELEASED FOR PUBLICATION 20
 © COPYRIGHT 20 BY TYCO ELECTRONICS CORPORATION. ALL RIGHTS RESERVED.

LOC		DIST		REVISIONS			
P	LTR	DESCRIPTION		DATE	DWN	APVD	
-	-	A		NEW RELEASE	24OCT2008	CR	DO
		B		REV PER ECO-10-020184	11JAN2011	RG	NE
		C		REV PER ECO-11-007678	11MAY2011	RG	DO

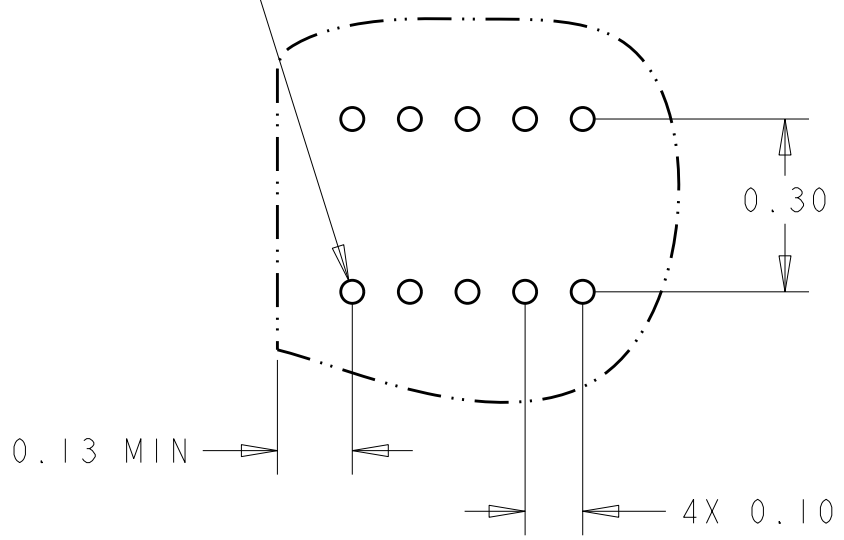


- PART NUMBER CHANGES AND/OR DESIGN CHANGES AFFECTING INTERCHANGEABILITY REQUIRE PRIOR TYCO ELECTRONICS APPROVAL AND AUTHORIZATION BY REVISION TO THIS DRAWING
- ITEMS PROVIDED TO THIS SPECIFICATION TO BE PERMANENTLY IDENTIFIED PER THE FOLLOWING IDENTIFIER LABEL

YEAR 1 WEEK 1
 TYCO ELECTRONICS P/N: XXXXXXXX-X
 DATE CODE (e.g. 0106): XXXX

- MATERIALS:**
 INSULATOR: POLYESTER
 MODULE: ZINC ALLOY
 COMPLIANT PINS: PHOSPHOR BRONZE
 CROWN BAND: COPPER ALLOY
 CONTACT: BRASS ALLOY
- FINISHES:**
 INSULATOR: COLOR BLACK
 MODULE: .0002 MIN THK. SILVER
 OVER .00004 MIN. THK. NICKEL
 COMPLIANT PINS: .0002 MIN THK. SILVER
 OVER .00004 MIN. THK. NICKEL
 CROWN: .000040 MIN THKGOLD (IN CONTACT AREA)
 OVER .00004 MIN. THK. NICKEL
 CONTACT PIN: .0002 MIN THK. SILVER
 OVER .00004 MIN. THK. NICKEL

0.04 DRILLED HOLE $\phi .0453 \pm .001$
 AFTER PLATING $\phi .043 / .037$, 10X



RECOMMENDED PCB LAYOUT

<small>THIS DRAWING IS A CONTROLLED DOCUMENT FOR TYCO ELECTRONICS CORPORATION IT IS SUBJECT TO CHANGE AND THE CONTROLLING ENGINEERING ORGANIZATION SHOULD BE CONTACTED FOR THE LATEST REVISION.</small>	
DIMENSIONS: INCHES	TOLERANCES UNLESS OTHERWISE SPECIFIED:
	0 PLC ±-
	1 PLC ±-
	2 PLC ±.02
	3 PLC ±.010
	4 PLC ±-
	ANGLES ±.5
MATERIAL -	FINISH -

DWN	24OCT2008
C. ROHLER	
CHK	24OCT2008
D. ORRIS	
APVD	24OCT2008
M. PERCHERKE	
PRODUCT SPEC	-
APPLICATION SPEC	-
WEIGHT	-
CUSTOMER DRAWING	

AS SHOWN		6643273-1	
DESCRIPTION		PART NO.	
Tyco Electronics Harrisburg, PA 17105-3608			
NAME IC CON SOCKET PARALLEL COMPLIANT PIN LOCKING			
SIZE	CAGE CODE	DRAWING NO	RESTRICTED TO
A3	00779	C-6643273	-
SCALE 3:1		SHEET 1	OF 1
		REV	C