



Chipsmall Limited consists of a professional team with an average of over 10 year of expertise in the distribution of electronic components. Based in Hongkong, we have already established firm and mutual-benefit business relationships with customers from,Europe,America and south Asia,supplying obsolete and hard-to-find components to meet their specific needs.

With the principle of "Quality Parts,Customers Priority,Honest Operation,and Considerate Service",our business mainly focus on the distribution of electronic components. Line cards we deal with include Microchip,ALPS,ROHM,Xilinx,Pulse,ON,Everlight and Freescale. Main products comprise IC,Modules,Potentiometer,IC Socket,Relay,Connector.Our parts cover such applications as commercial,industrial, and automotives areas.

We are looking forward to setting up business relationship with you and hope to provide you with the best service and solution. Let us make a better world for our industry!



Contact us

Tel: +86-755-8981 8866 Fax: +86-755-8427 6832

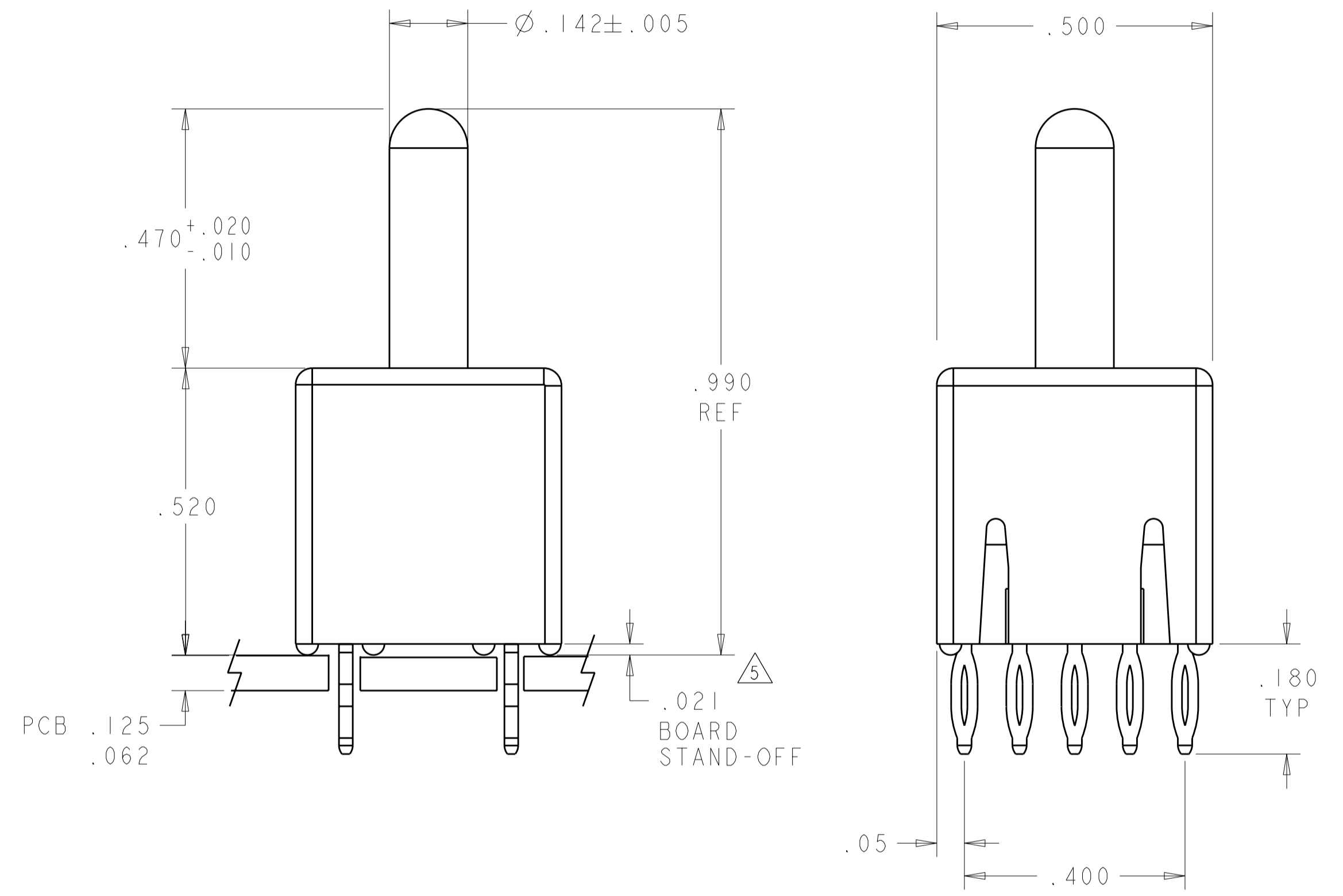
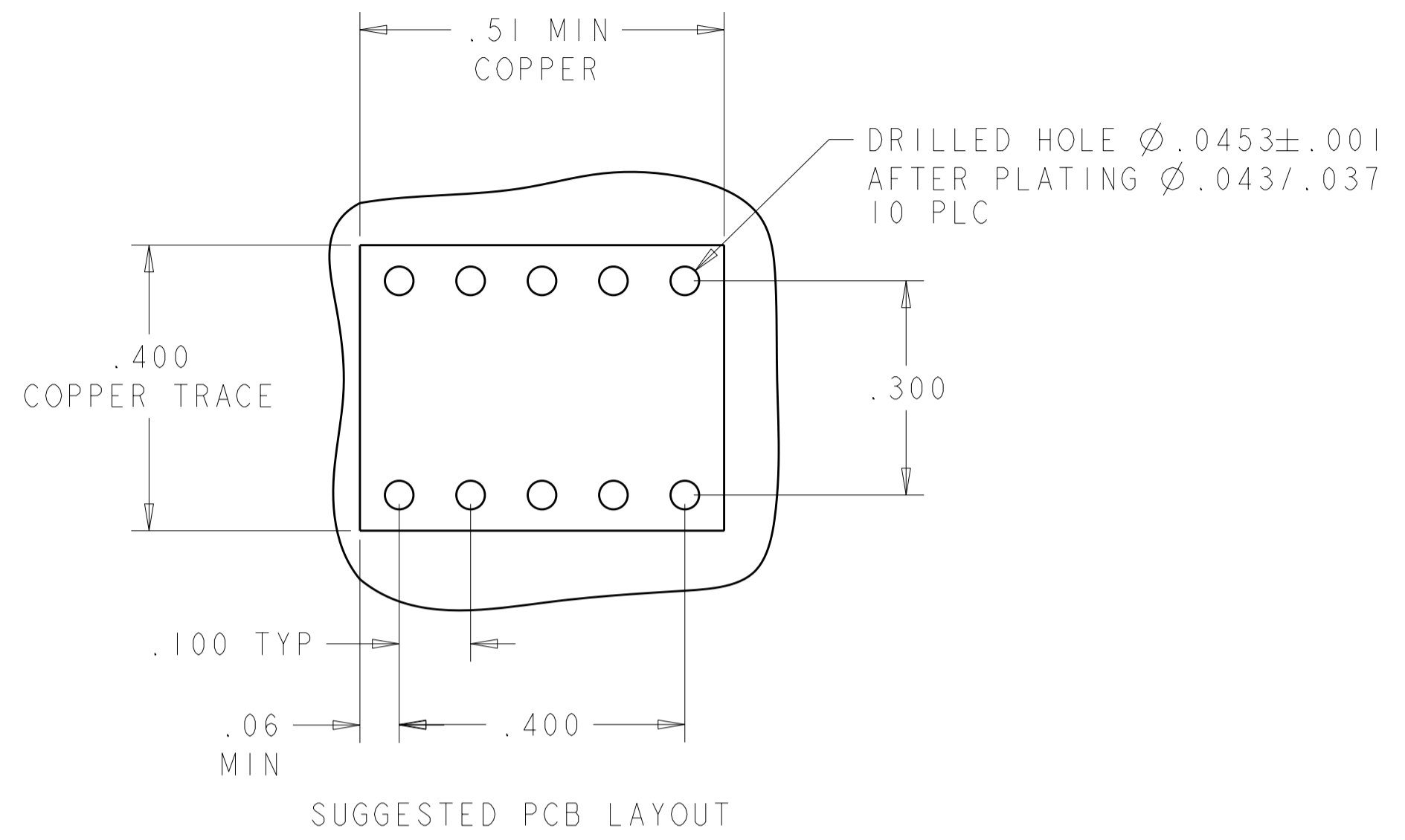
Email & Skype: info@chipsmall.com Web: www.chipsmall.com

Address: A1208, Overseas Decoration Building, #122 Zhenhua RD., Futian, Shenzhen, China



THIS DRAWING IS UNPUBLISHED. RELEASED FOR PUBLICATION 20
 © COPYRIGHT 20 BY TYCO ELECTRONICS CORPORATION. ALL RIGHTS RESERVED.

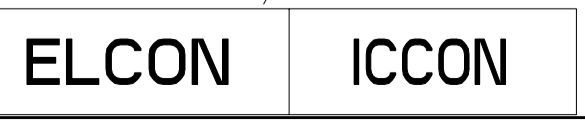
LOC	DIST	REVISIONS					
GP	00	P	LTR	DESCRIPTION	DATE	DWN	APVD
		A		RELEASED	07MAR2006	RG	SF
		B		REV PER ECO-10-020184	11JAN2011	RG	NE
		C		REV PER ECO-11-007678	11MAY2011	RG	DO



- PART NUMBER CHANGES AND/OR DESIGN CHANGES AFFECTING ITEM INTERCHANGEABILITY REQUIRE PRIOR TE APPROVAL AND AUTHORIZATION BY REVISION TO THIS DRAWING.
- ITEMS PROVIDED TO THIS SPECIFICATION TO BE IDENTIFIED ON CONTAINER WITH THE FOLLOWING INFORMATION:
PART NUMBER AND DATE CODE OF MFR.

- 3 MATERIALS:
 INSULATOR-POLYESTER, GLASS FILLED UL 94 V-O RATED
 MODULE-ZINC ALLOY
 COMPLIANT PIN-PHOSPHOR BRONZE
 CONTACT-BRASS ALLOY
 CROWN-Be Cu
- 4 FINISH:
 INSULATOR-COLOR BLACK
 MODULE: .0002 [5.08 MICRONS] MIN THK. SILVER
 OVER .00004 [1.02 MICRONS] MIN. THK. NICKEL
 COMPLIANT PINS- .0002 [5.08 MICRONS] MIN THK. SILVER
 OVER .00004 [1.02 MICRONS] MIN. THK. NICKEL
 CROWN- .000040 [1.02 MICRONS] MIN THKGOLD (IN CONTACT AREA)
 OVER .00004 [1.02 MICRONS] MIN. THK. NICKEL
 CONTACT PIN: .0002 [5.08 MICRONS] MIN THK. SILVER
 OVER .00004 [1.02 MICRONS] MIN. THK. NICKEL

5 A FIVE - POUND (5lb) FORCE IS REQUIRED TO CORRECTLY SEAT THE CONNECTOR WITH PLATED THRU HOLES LESS THAN Ø.040 INCH



THIS DRAWING IS A CONTROLLED DOCUMENT FOR TYCO ELECTRONICS CORPORATION IT IS SUBJECT TO CHANGE AND THE CONTROLLING ENGINEERING ORGANIZATION SHOULD BE CONTACTED FOR THE LATEST REVISION.		DWN R. GRZYBOWSKI 06MAR06	AS SHOWN		6643274-1
DIMENSIONS: INCHES		CHK S. FLICKINGER 06MAR06	DESCRIPTION		PART NUMBER
TOLERANCES UNLESS OTHERWISE SPECIFIED: 0 PLC ± 1 PLC ± 2 PLC ±.020 3 PLC ±.010 4 PLC ± ANGLES ±.5 FINISH		APVD S. FLICKINGER 06MAR06	Tyco Electronics Harrisburg, PA 17105-3608		
MATERIAL		PRODUCT SPEC APPLICATION SPEC	NAME ICCON PIN, PERPENDICULAR COMPLIANT, NON-LOCKING STYLE (BLACK)		
		WEIGHT	SIZE A2	CAGE CODE 00779	DRAWING NO 6643274
		CUSTOMER DRAWING	RESTRICTED TO	SCALE 5:1	SHEET 1 OF 1 REV C