



Chipsmall Limited consists of a professional team with an average of over 10 year of expertise in the distribution of electronic components. Based in Hongkong, we have already established firm and mutual-benefit business relationships with customers from,Europe,America and south Asia,supplying obsolete and hard-to-find components to meet their specific needs.

With the principle of “Quality Parts,Customers Priority,Honest Operation,and Considerate Service”,our business mainly focus on the distribution of electronic components. Line cards we deal with include Microchip,ALPS,ROHM,Xilinx,Pulse,ON,Everlight and Freescale. Main products comprise IC,Modules,Potentiometer,IC Socket,Relay,Connector.Our parts cover such applications as commercial,industrial, and automotives areas.

We are looking forward to setting up business relationship with you and hope to provide you with the best service and solution. Let us make a better world for our industry!



## Contact us

Tel: +86-755-8981 8866 Fax: +86-755-8427 6832

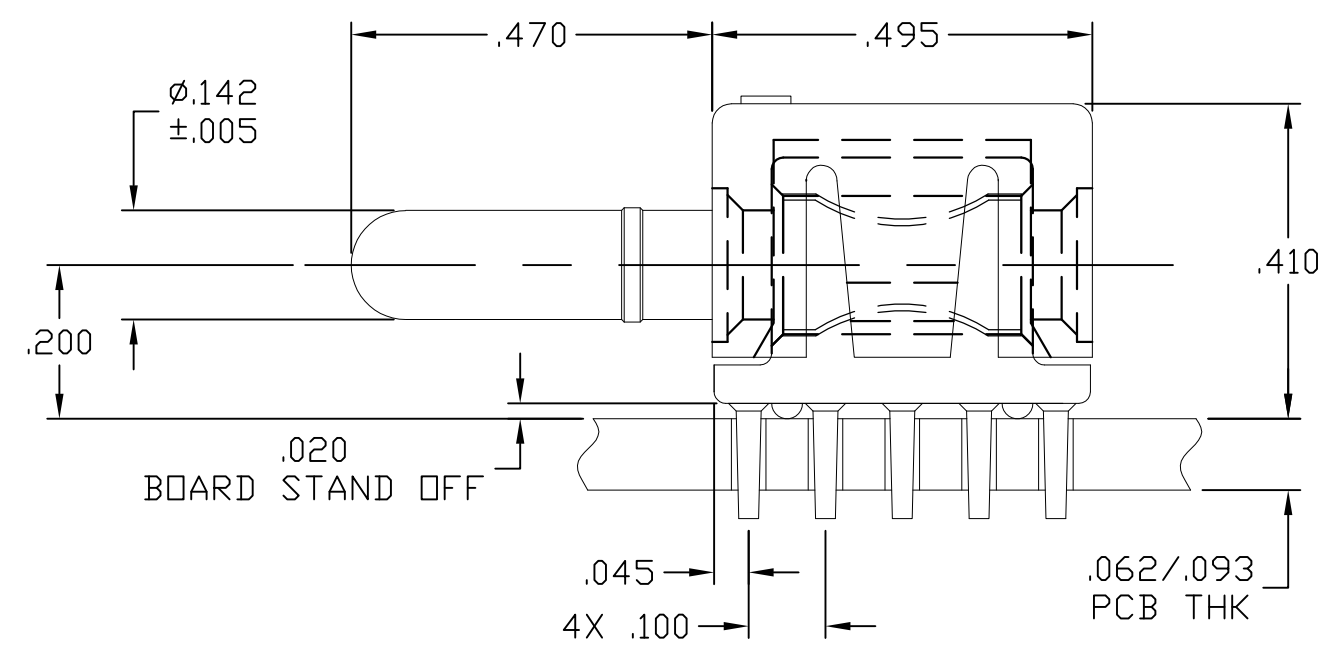
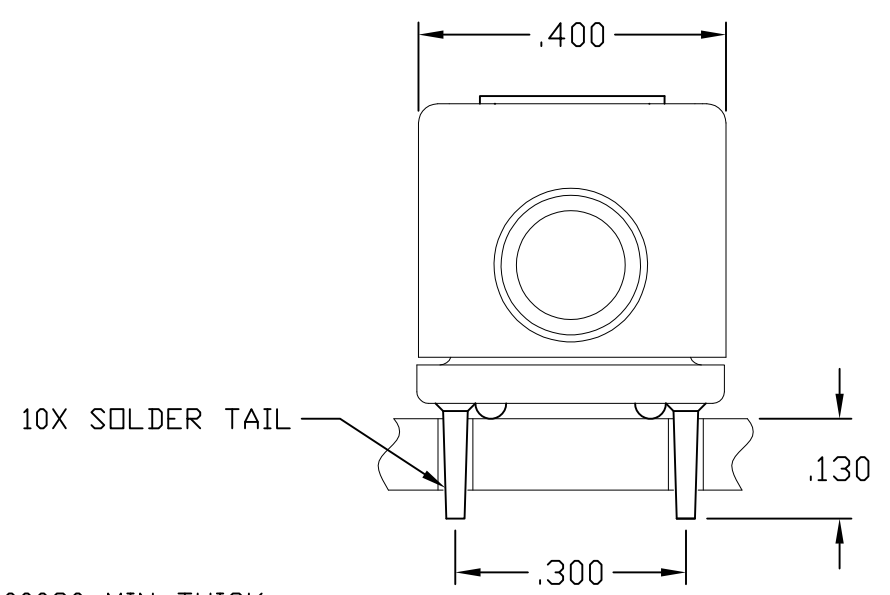
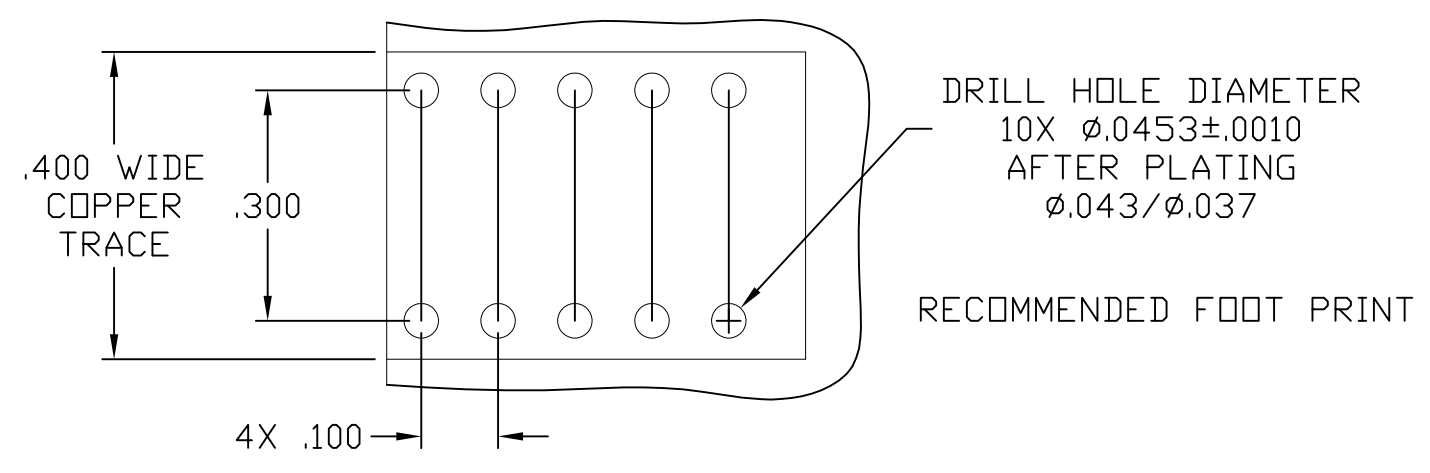
Email & Skype: info@chipsmall.com Web: www.chipsmall.com

Address: A1208, Overseas Decoration Building, #122 Zhenhua RD., Futian, Shenzhen, China



THIS DRAWING IS UNPUBLISHED. RELEASED FOR PUBLICATION  
 © COPYRIGHT - By - ALL RIGHTS RESERVED.

LOC	DIST	REVISIONS					
GP	00	P	LTR	DESCRIPTION	DATE	DWN	APVD
		C		REV PER ECO-11-007678	11MAY2011	RG	DO



4. FINISHES:
- CROWN: GOLD PLATED, .000030 MIN THICK OVER NICKEL PLATED, .000040 MIN THICK.
  - INSERT: SILVER PLATED, .000200 MIN THICK, OVER NICKEL PLATED, .000040 MIN THICK.
  - CONTACT: SILVER PLATED, .000200 MIN THICK, OVER NICKEL PLATED, .000040 MIN THICK.

3. MATERIALS:
- HOUSING: THERMOPLASTIC, GLASS REINFORCED, COLOR-BLACK UL94V-0 FLAMMABILITY RATED
  - INSERT: ZINC ALLOY, CASTING
  - CROWN: COPPER ALLOY
  - CONTACT: BRASS ALLOY

2. ITEMS PROVIDED TO THIS SPECIFICATION SHALL BE IDENTIFIED ON THE CONTAINER WITH THE FOLLOWING INFORMATION: PART NUMBER & DATE CODE OF MANUFACTURE.

1. INTERCHANGEABILITY REQUIRE PRIOR TE APPROVAL AND AUTHORIZATION BY REVISION TO THIS DRAWING.

5. A FIVE POUND (5lb) FORCE IS REQUIRED TO CORRECTLY SEAT THE CONNECTOR WITH PLATED THRU HOLES LESS THAN  $\phi.040$  INCH.

6643276-1  
 PART NUMBER

THIS DRAWING IS A CONTROLLED DOCUMENT.		DWN	06/19/06	<b>STE</b> TE Connectivity		
		HA/GRZYBOWSKI				
DIMENSIONS: INCHES		CHK	-	NAME ICCON, PIN, SIZE No.8 PARALLEL SOLDER TAIL, 10 PIN FOOT PRINT LOCKING STYLE, .470 PIN EXT		
TOLERANCES UNLESS OTHERWISE SPECIFIED:		APVD	06/19/06			
0 PLC $\pm -$		FLICKINGER		SIZE A3		
1 PLC $\pm -$		PRODUCT SPEC				
2 PLC $\pm .02$		APPLICATION SPEC		CAGE CODE	DRAWING NO	RESTRICTED TO
3 PLC $\pm .010$				00779	C-6643276	-
4 PLC $\pm -$				SCALE 4:1 SHEET 1 OF 1 REV C		
ANGLES $\pm .5$						
MATERIAL		FINISH		CUSTOMER DRAWING		
-		-				