



Chipsmall Limited consists of a professional team with an average of over 10 year of expertise in the distribution of electronic components. Based in Hongkong, we have already established firm and mutual-benefit business relationships with customers from,Europe,America and south Asia,supplying obsolete and hard-to-find components to meet their specific needs.

With the principle of "Quality Parts,Customers Priority,Honest Operation,and Considerate Service",our business mainly focus on the distribution of electronic components. Line cards we deal with include Microchip,ALPS,ROHM,Xilinx,Pulse,ON,Everlight and Freescale. Main products comprise IC,Modules,Potentiometer,IC Socket,Relay,Connector.Our parts cover such applications as commercial,industrial, and automotives areas.

We are looking forward to setting up business relationship with you and hope to provide you with the best service and solution. Let us make a better world for our industry!



Contact us

Tel: +86-755-8981 8866 Fax: +86-755-8427 6832

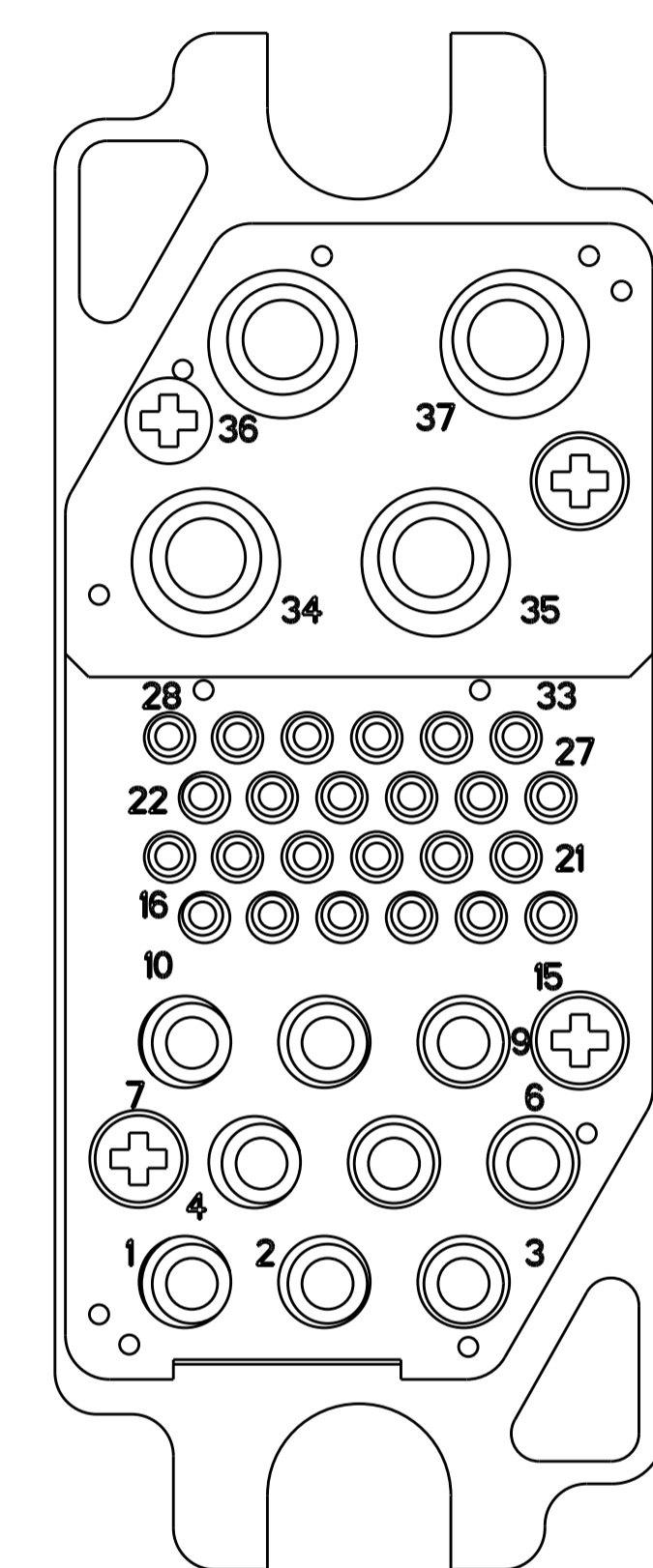
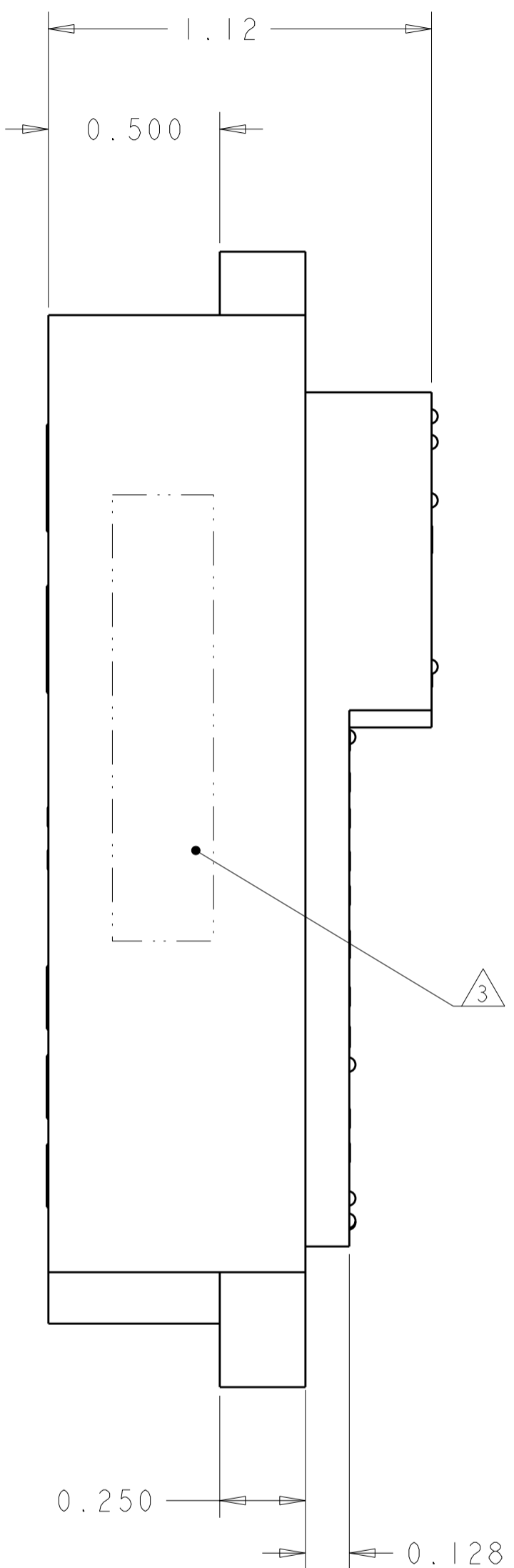
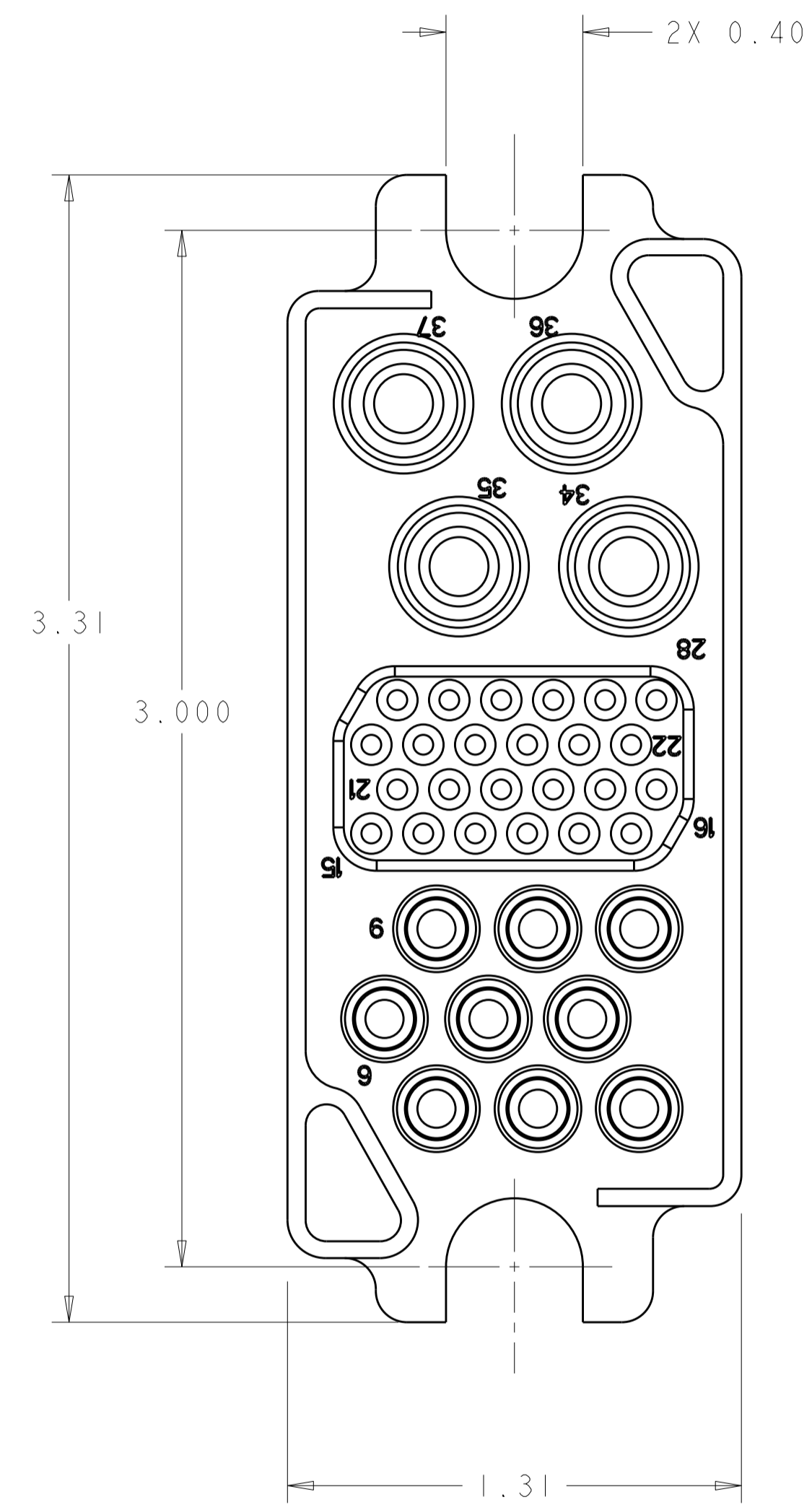
Email & Skype: info@chipsmall.com Web: www.chipsmall.com

Address: A1208, Overseas Decoration Building, #122 Zhenhua RD., Futian, Shenzhen, China



THIS DRAWING IS UNPUBLISHED. RELEASED FOR PUBLICATION 20
 © COPYRIGHT 20 TE ALL RIGHTS RESERVED.

| LOC | | DIST | | REVISIONS | | | |
|-----|-----|-------------|-------------|-----------|------|----|--|
| P | LTR | DESCRIPTION | DATE | DWN | APVD | | |
| GP | 00 | A | NEW RELEASE | 25JAN2012 | RG | DO | |



SOCKET CONTACT (B)
 SIZE #8

SOCKET CONTACT
 SIZE #20

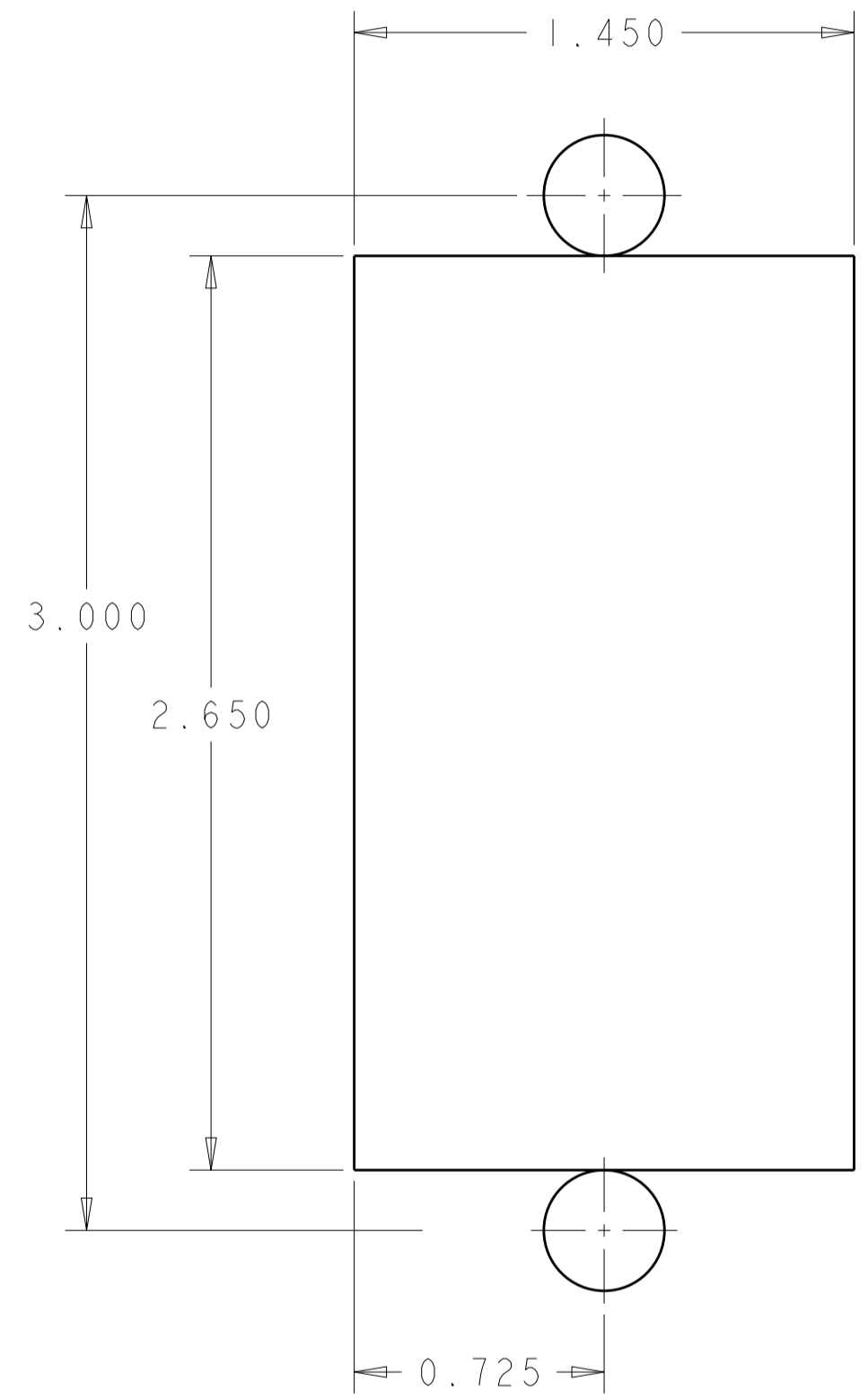
SOCKET CONTACT (D)
 SIZE #12

| | |
|-------------|-------------|
| AS SHOWN | 6643411-1 |
| DESCRIPTION | PART NUMBER |

| | | | | |
|--|--|-------------------------------------|---|--|
| THIS DRAWING IS A CONTROLLED DOCUMENT. | | DWN R. GRZYBOWSKI 25 JAN 2012 | TE Connectivity | |
| DIMENSIONS: INCHES | | CHK D. ORRIS 25 JAN 2012 | | |
| TOLERANCES UNLESS OTHERWISE SPECIFIED: | | APVD D. ORRIS 25 JAN 2012 | NAME CONNECTOR ASSEMBLY SOCKET 75 AMP, MIDDLE DRAWER | |
| 0 PLC ± 1 PLC ± 2 PLC ±.02 3 PLC ±.010 4 PLC ± ANGLES ±.5 FINISH | | PRODUCT SPEC 108-2285 | SIZE A200779 | |
| MATERIAL | | APPLICATION SPEC 114-13206 | DRAWING NO C-6643411 | |
| 1 - 2 - | | WEIGHT - | RESTRICTED TO - | |
| CUSTOMER DRAWING | | SCALE 3:1 | SHEET 1 OF 2 REV A | |

THIS DRAWING IS UNPUBLISHED. RELEASED FOR PUBLICATION 20
 © COPYRIGHT 20 TE ALL RIGHTS RESERVED.

| LOC | DIST | REVISIONS | | | |
|-----|------|-------------|-------------|-----|------|
| P | LTR | DESCRIPTION | DATE | DWN | APVD |
| GP | 00 | - | SEE SHEET 1 | - | - |
| | | | | | |
| | | | | | |



SUGGESTED PANEL CUTOUT
 VIEW FROM CONNECTOR MOUNTING SIDE

- 1 MATERIAL:
 INSULATOR: THERMOPLASTIC, GLASS REINFORCED,
 FLAMMABILITY RATED, COLOR: BLACK
 SOCKET CONTACT: COPPER ALLOY
 RETENTION CLIP: COPPER ALLOY OR STAINLESS STEEL
- 2 FINISH:
 CONTACT BODY SIZE #8 & 12 - SILVER PLATE .000200 MIN. THK.
 OVER NICKEL .000050 MIN. THK.
 CROWN BANDS - GOLD PLATE .000030 MIN THK. OVER
 NICKEL .000050 MIN THK.
- 3 ITEMS PROVIDED TO THIS SPECIFICATION TO BE PERMANENTLY
 IDENTIFIED PER THE FOLLOWING IDENTIFIER:

 PART NUMBER AND MANUFACTURING DATE CODE
- 4 CRIMP CONTACTS (ITEMS B & C) SHALL BE PACKAGED
 SEPARATELY AND PLACED IN THE BOX WITH THE
 CONNECTOR ASSEMBLY.

| | | | |
|----|-------------|-----------------------------|------|
| 6 | 6648318-1 | CONTACT, SOCKET, #12, CRIMP | C |
| 3 | 6648317-1 | CONTACT, SOCKET, #8, CRIMP | B |
| 1 | 6648167-2 | CONNECTOR, SOCKET | A |
| -1 | PART NUMBER | DESCRIPTION | ITEM |

| | | | | |
|--|--|-------------------------------------|---|--------------------|
| THIS DRAWING IS A CONTROLLED DOCUMENT. | | DWN R. GRZYBOWSKI 25 JAN 2012 | STE TE Connectivity | |
| DIMENSIONS: INCHES | | CHK D. ORRIS 25 JAN 2012 | | |
| TOLERANCES UNLESS OTHERWISE SPECIFIED: | | APVD D. ORRIS 25 JAN 2012 | NAME CONNECTOR ASSEMBLY SOCKET 75 AMP, MIDDLE DRAWER | |
| 0 PLC ± 1 PLC ± 2 PLC ±.02 3 PLC ±.010 4 PLC ± ANGLES ±.5 FINISH | | PRODUCT SPEC 108-2285 | SIZE A2 | CAGE CODE 00779 |
| MATERIAL - | | APPLICATION SPEC 114-13206 | DRAWING NO 6643411 | RESTRICTED TO - |
| WEIGHT - | | CUSTOMER DRAWING | SCALE 3:1 | SHEET 2 OF 2 |
| | | | | REV A |