



Chipsmall Limited consists of a professional team with an average of over 10 year of expertise in the distribution of electronic components. Based in Hongkong, we have already established firm and mutual-benefit business relationships with customers from,Europe,America and south Asia,supplying obsolete and hard-to-find components to meet their specific needs.

With the principle of “Quality Parts,Customers Priority,Honest Operation,and Considerate Service”,our business mainly focus on the distribution of electronic components. Line cards we deal with include Microchip,ALPS,ROHM,Xilinx,Pulse,ON,Everlight and Freescale. Main products comprise IC,Modules,Potentiometer,IC Socket,Relay,Connector.Our parts cover such applications as commercial,industrial, and automotives areas.

We are looking forward to setting up business relationship with you and hope to provide you with the best service and solution. Let us make a better world for our industry!



Contact us

Tel: +86-755-8981 8866 Fax: +86-755-8427 6832

Email & Skype: info@chipsmall.com Web: www.chipsmall.com

Address: A1208, Overseas Decoration Building, #122 Zhenhua RD., Futian, Shenzhen, China



THIS DRAWING IS UNPUBLISHED.

RELEASED FOR PUBLICATION

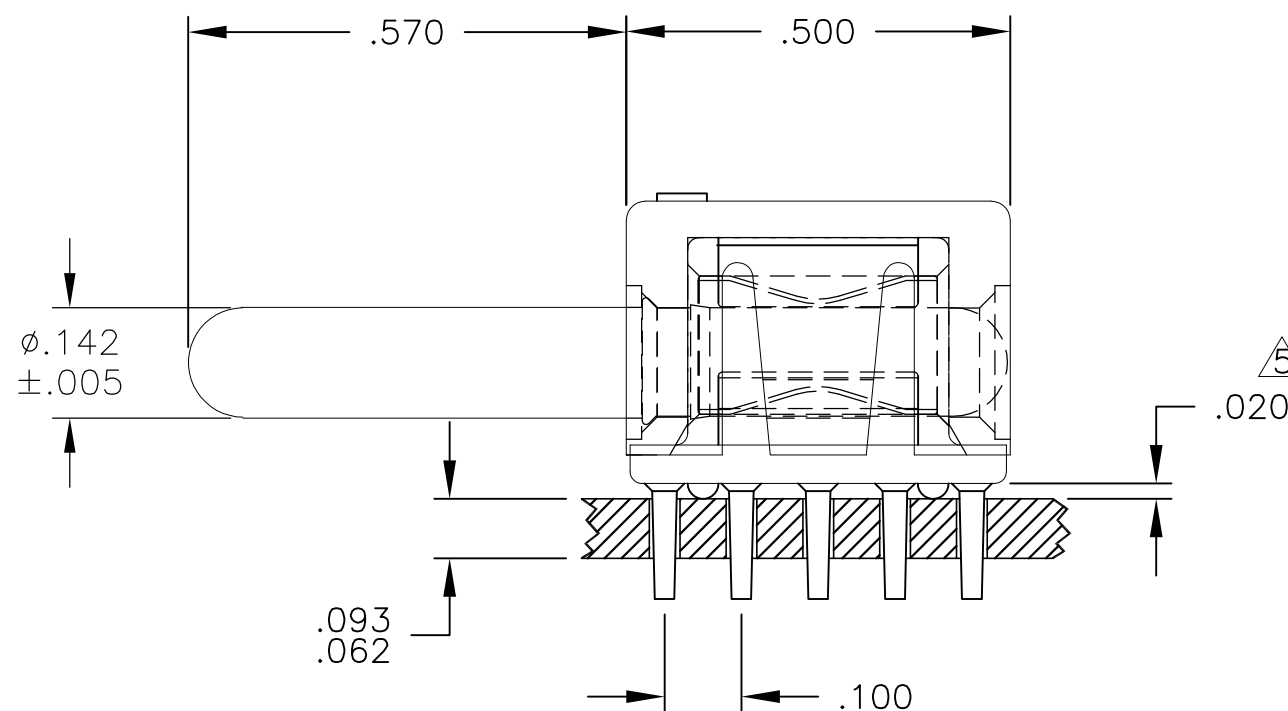
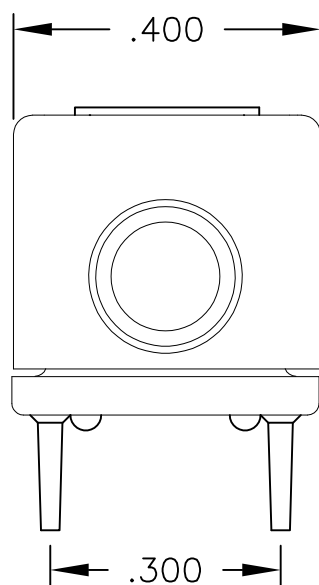
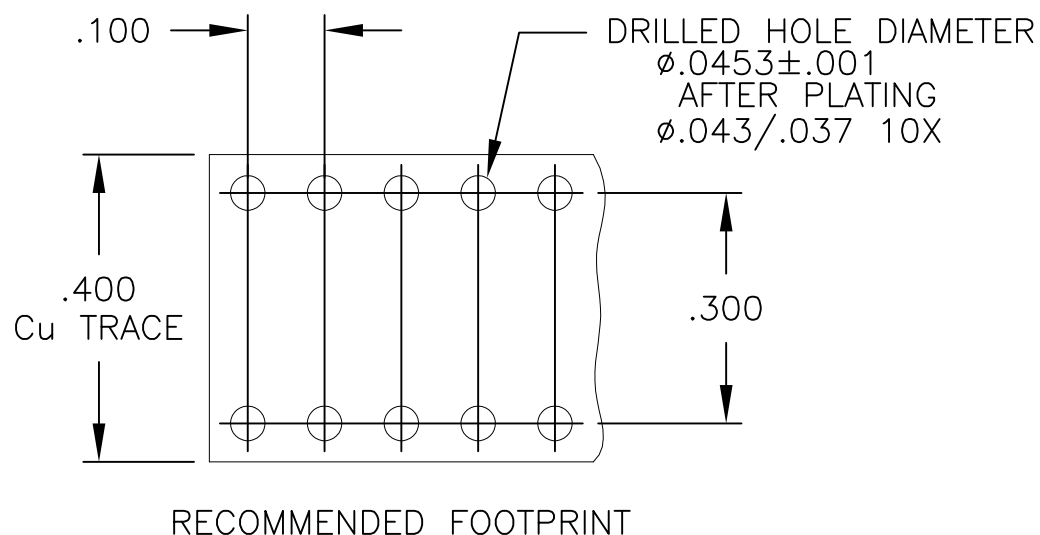
ALL RIGHTS RESERVED.

© COPYRIGHT - By -

LOC GP DIST 00

REVISIONS

P	LTR	DESCRIPTION	DATE	DWN	APVD
C		REV PER ECO-11-007678	11MAY2011	RG	DO



5 A FIVE-POUND (5lb) FORCES REQUIRED TO CORRECTLY SEAT THE CONNECTOR WITH PLATED THRU HOLES LESS THAN Ø.040 INCH.

4. FINISH:
- MODULE - SILVER PLATED .000200 MIN THK. OVER NICKEL .000040 MIN THK.
 - CROWN - GOLD PLATED .000030 MIN THK. OVER NICKEL .000040 MIN THK.
 - PIN CONTACT - SILVER PLATED .000200 MIN THK. OVER NICKEL .000040 MIN THK.

3. MATERIAL:
- INSULATOR: POLYESTER, GLASS FILLED, UL 94 V-0, COLOR: BLACK
 - MODULE: ZINC ALLOY
 - CROWN: BECU
 - CONTAC: BRASS

2. ITEMS PROVIDED TO THIS SPECIFICATION SHALL BE IDENTIFIED ON CONTAINER WITH THE FOLLOWING INFORMATION PART NUMBER AND DATE CODE OF MANUFACTURE.

1. PART NUMBER CHANGES AND OR DESIGN CHANGES AFFECTING ITEM INTERCHANGEABILITY REQUIRE PRIOR TE APPROVAL AND AUTHORIZATION BY REVISION TO THIS DRAWING.

6643431-1
PART NUMBER

THIS DRAWING IS A CONTROLLED DOCUMENT.		DWN 11JAN2011 LOVATO/GRZYBOWSKI	TE Connectivity													
DIMENSIONS: INCHES		CHK D.ORRIS														
TOLERANCES UNLESS OTHERWISE SPECIFIED:		APVD 11JAN2011 CHAU/ORRIS	NAME ICCON PIN, PARALLEL SOLDER STYLE, NON-LOCKING													
<table border="1"> <tr><td>0 PLC</td><td>± -</td></tr> <tr><td>1 PLC</td><td>± -</td></tr> <tr><td>2 PLC</td><td>± -</td></tr> <tr><td>3 PLC</td><td>± .020</td></tr> <tr><td>4 PLC</td><td>± -</td></tr> <tr><td>ANGLES</td><td>± .5</td></tr> </table>		0 PLC	± -	1 PLC	± -	2 PLC	± -	3 PLC	± .020	4 PLC	± -	ANGLES	± .5	PRODUCT SPEC	SIZE A3	
0 PLC	± -															
1 PLC	± -															
2 PLC	± -															
3 PLC	± .020															
4 PLC	± -															
ANGLES	± .5															
MATERIAL		APPLICATION SPEC	CAGE CODE 00779	DRAWING NO C-6643431												
FINISH		WEIGHT	RESTRICTED TO													
		CUSTOMER DRAWING		SCALE 4:1												
		SHEET 1 OF 1		REV C												