



Chipsmall Limited consists of a professional team with an average of over 10 year of expertise in the distribution of electronic components. Based in Hongkong, we have already established firm and mutual-benefit business relationships with customers from,Europe,America and south Asia,supplying obsolete and hard-to-find components to meet their specific needs.

With the principle of “Quality Parts,Customers Priority,Honest Operation,and Considerate Service”,our business mainly focus on the distribution of electronic components. Line cards we deal with include Microchip,ALPS,ROHM,Xilinx,Pulse,ON,Everlight and Freescale. Main products comprise IC,Modules,Potentiometer,IC Socket,Relay,Connector.Our parts cover such applications as commercial,industrial, and automotives areas.

We are looking forward to setting up business relationship with you and hope to provide you with the best service and solution. Let us make a better world for our industry!



Contact us

Tel: +86-755-8981 8866 Fax: +86-755-8427 6832

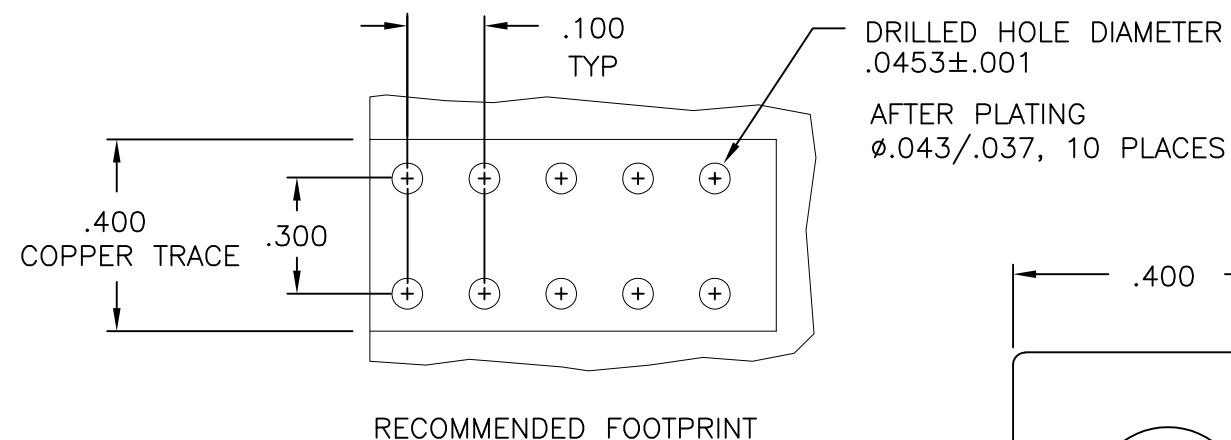
Email & Skype: info@chipsmall.com Web: www.chipsmall.com

Address: A1208, Overseas Decoration Building, #122 Zhenhua RD., Futian, Shenzhen, China

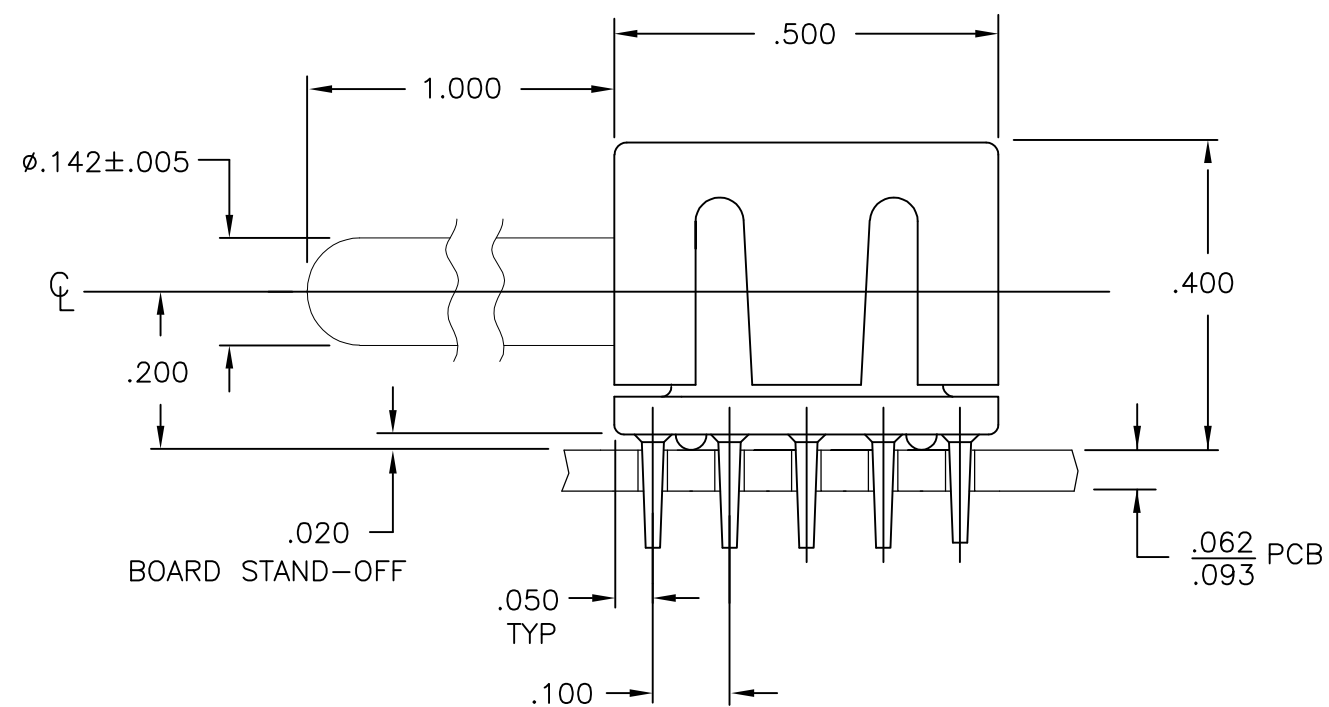
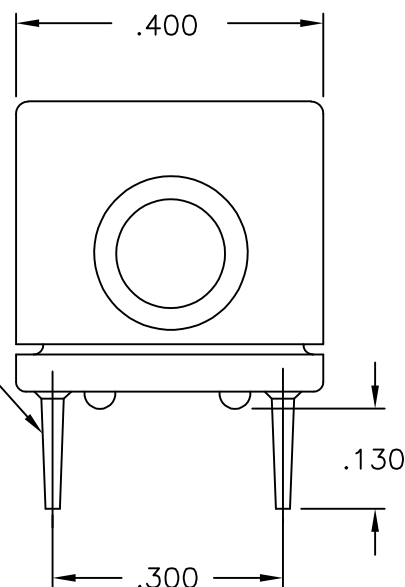


THIS DRAWING IS UNPUBLISHED. RELEASED FOR PUBLICATION
 © COPYRIGHT BY TYCO ELECTRONICS CORPORATION. ALL RIGHTS RESERVED.

| LOC | DIST | REVISIONS | | | | | |
|-----|------|-----------|-----|-----------------------|-----------|-----|------|
| GP | 00 | P | LTR | DESCRIPTION | DATE | DWN | APVD |
| | | B | | REV PER ECO-10-020184 | 11JAN2011 | RG | NE |



SOLDER POST
10 PLACES



- PART NUMBER CHANGES AND/OR DESIGN CHANGES AFFECTING ITEM INTERCHANGEABILITY REQUIRE PRIOR TYCO APPROVAL AND AUTHORIZATION BY REVISION TO THIS DRAWING.
- ITEMS PROVIDED TO THIS SPECIFICATION SHALL BE IDENTIFIED ON CONTAINER WITH THE FOLLOWING INFORMATION: PART NUMBER & DATE CODE OF MFR.
- MATERIALS: INSULATOR - POLYESTER, GLASS FILLED UL 94 V-0 RATED OR EQUIV.
 MODULE - ZINC/ALUM CASTING
 CROWN - BERYLLIUM COPPER
 CONTACT - BRASS ALLOY
- FINISH: INSULATOR - COLOR BLACK.
 MODULE - SILVER PLATED .000200 MIN THK. OVER NICKEL .000040 MIN THK.
 CROWN - GOLD PLATED .000030 MIN THK. OVER NICKEL .000040 MIN THK.
 CONTACT - SILVER PLATED .000200 MIN THK. OVER NICKEL .000040 MIN THK.
- REFERENCE ELCON PART NO. 269-52-00500.

| | |
|-------------|-------------|
| AS SHOWN | 6643433-1 |
| DESCRIPTION | PART NUMBER |

| | | | | |
|--|----------|------------------------------|---|--|
| THIS DRAWING IS A CONTROLLED DOCUMENT. | | DWN R.GRZYBOWSKI 15JUN2006 | Tyco Electronics Corporation Harrisburg, PA 17105-3608 | |
| DIMENSIONS: INCHES | | CHK S.FLICKINGER 15JUN06 | NAME S.FLICKINGER | |
| TOLERANCES UNLESS OTHERWISE SPECIFIED: | | APVD S.FLICKINGER | PRODUCT SPEC | |
| 0 PLC ± - | | APPLICATION SPEC | | |
| 1 PLC ± - | | SIZE A3 | | |
| 2 PLC ± .02 | | CAGE CODE 00779 | | |
| 3 PLC ± .010 | | DRAWING NO C-6643433 | | |
| 4 PLC ± - | | RESTRICTED TO - | | |
| ANGLES ± .5 | | CUSTOMER DRAWING | | |
| MATERIAL - | FINISH - | SCALE 1:1 SHEET 1 OF 1 REV B | | |

ELCON ICICON