



Chipsmall Limited consists of a professional team with an average of over 10 year of expertise in the distribution of electronic components. Based in Hongkong, we have already established firm and mutual-benefit business relationships with customers from,Europe,America and south Asia,supplying obsolete and hard-to-find components to meet their specific needs.

With the principle of “Quality Parts,Customers Priority,Honest Operation,and Considerate Service”,our business mainly focus on the distribution of electronic components. Line cards we deal with include Microchip,ALPS,ROHM,Xilinx,Pulse,ON,Everlight and Freescale. Main products comprise IC,Modules,Potentiometer,IC Socket,Relay,Connector.Our parts cover such applications as commercial,industrial, and automotives areas.

We are looking forward to setting up business relationship with you and hope to provide you with the best service and solution. Let us make a better world for our industry!



## Contact us

Tel: +86-755-8981 8866 Fax: +86-755-8427 6832

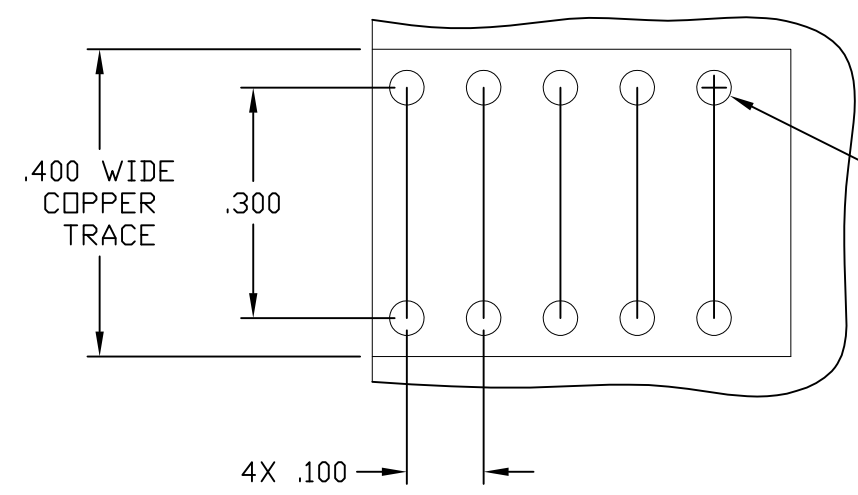
Email & Skype: info@chipsmall.com Web: www.chipsmall.com

Address: A1208, Overseas Decoration Building, #122 Zhenhua RD., Futian, Shenzhen, China



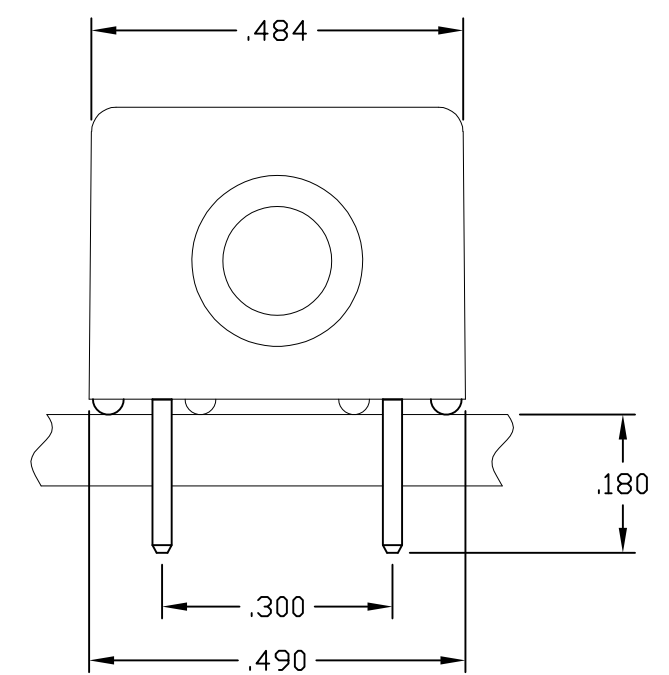
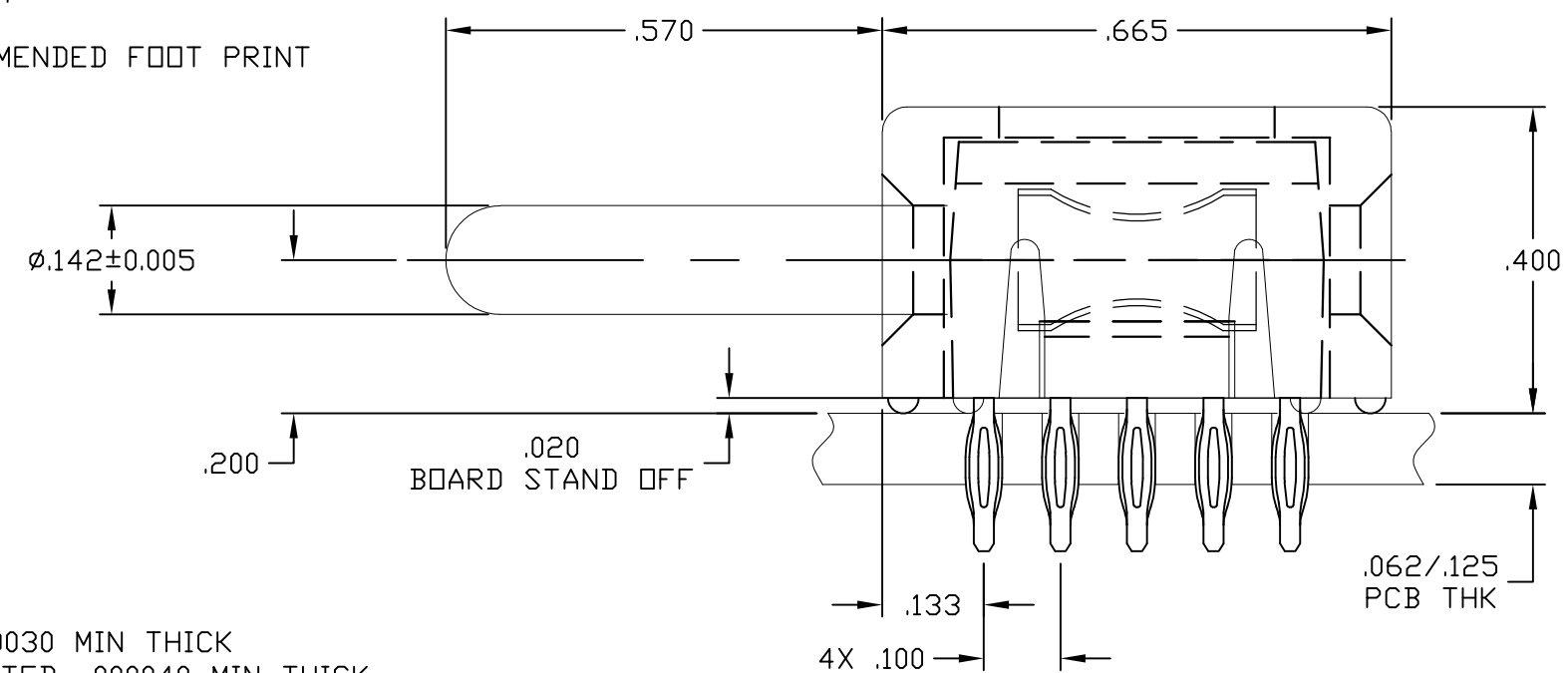
THIS DRAWING IS UNPUBLISHED. RELEASED FOR PUBLICATION  
 © COPYRIGHT - By - ALL RIGHTS RESERVED.

LOC	DIST	REVISIONS					
GP	00	P	LTR	DESCRIPTION	DATE	DWN	APVD
			C	REV PER ECO-11-007678	11JUL2011	RG	DO



RECOMMENDED PRINTED CIRCUIT HOLE  
 COMPLIANT PRESS FIT  
 DRILLED HOLE:  $\phi .0453 \pm .0005$   
 COPPER PLATE: .0010 - .0020 (PER SURFACE)  
 TIN PLATE: .00002 MINIMUM (PER SURFACE)  
 10X

4X .100  
 RECOMMENDED FOOT PRINT



4. FINISHES:
- CROWN: GOLD PLATED, .000030 MIN THICK OVER NICKEL PLATED, .000040 MIN THICK.
  - INSERT: SILVER PLATED, .000200 MIN THICK, OVER NICKEL PLATED, .000040 MIN THICK.
  - COMPLIANT TAIL: SILVER PLATED, .000200 MIN THICK, OVER NICKEL PLATED, .000040 MIN THICK.
  - CONTACT: SILVER PLATED, .000200 MIN THICK, OVER NICKEL PLATED, .000040 MIN THICK.
3. MATERIALS:
- HOUSING: THERMOPLASTIC, GLASS REINFORCED, COLOR-BLACK UL94V-0 FLAMMABILITY RATED
  - CROWN: COPPER ALLOY
  - INSERT: ZINC ALLOY, CASTING
  - CONTACT: BRASS ALLOY
  - COMPLIANT TAIL: PHOSPHOR BRONZE ALLOY

5. FOR APPLICATIONS UTILIZING AN IMMERSION SILVER PLATED PCB. CONSULT TYCO ENGINEERING.

6643442-1  
 PART NUMBER

2. ITEMS PROVIDED TO THIS SPECIFICATION SHALL BE IDENTIFIED ON THE CONTAINER WITH THE FOLLOWING INFORMATION:  
 PART NUMBER & DATE CODE OF MANUFACTURE.
1. PART NUMBER CHANGES AND OR DESIGN CHANGES AFFECTING ITEM INTERCHANGEABILITY REQUIRE PRIOR TE APPROVAL AND AUTHORIZATION BY REVISION TO THIS DRAWING.

THIS DRAWING IS A CONTROLLED DOCUMENT.		DWN	12JAN2011	TE Connectivity			
		CHK	HA/GRZYBOWSKI				
DIMENSIONS: INCHES		TOLERANCES UNLESS OTHERWISE SPECIFIED:		NAME			
		0 PLC	± -	APVD			
		1 PLC	± -	12JAN2011			
		2 PLC	± .02	NAME			
		3 PLC	± .010	FLICKNGER/ORRIS			
		4 PLC	± -	PRODUCT SPEC			
		ANGLES	± .5	APPLICATION SPEC			
MATERIAL		FINISH		SIZE	CAGE CODE	DRAWING NO	RESTRICTED TO
				A300779		C-6643442	-
CUSTOMER DRAWING				SCALE	SHEET	REV	
				4:1	1 OF 1	C	