



Chipsmall Limited consists of a professional team with an average of over 10 year of expertise in the distribution of electronic components. Based in Hongkong, we have already established firm and mutual-benefit business relationships with customers from,Europe,America and south Asia,supplying obsolete and hard-to-find components to meet their specific needs.

With the principle of “Quality Parts,Customers Priority,Honest Operation,and Considerate Service”,our business mainly focus on the distribution of electronic components. Line cards we deal with include Microchip,ALPS,ROHM,Xilinx,Pulse,ON,Everlight and Freescale. Main products comprise IC,Modules,Potentiometer,IC Socket,Relay,Connector.Our parts cover such applications as commercial,industrial, and automotives areas.

We are looking forward to setting up business relationship with you and hope to provide you with the best service and solution. Let us make a better world for our industry!



Contact us

Tel: +86-755-8981 8866 Fax: +86-755-8427 6832

Email & Skype: info@chipsmall.com Web: www.chipsmall.com

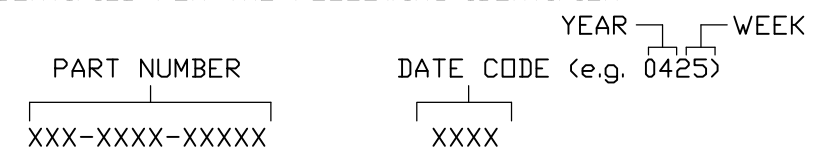
Address: A1208, Overseas Decoration Building, #122 Zhenhua RD., Futian, Shenzhen, China



THIS DRAWING IS UNPUBLISHED. RELEASED FOR PUBLICATION
 © COPYRIGHT 2006 BY TYCO ELECTRONICS CORPORATION. ALL RIGHTS RESERVED.

LOC	DIST	REVISIONS					
GP	00	P	LTR	DESCRIPTION	DATE	DWN	APVD
			B	REVISED PER ECO-06-030075	DO	GIP	DO

8. ITEMS PROVIDED TO THIS SPECIFICATION TO BE PERMANENTLY IDENTIFIED PER THE FOLLOWING IDENTIFIER:



7. RECOMMENDED PRESSING TOOL:
 FIX00058 FOR PART NUMBER 285-0112-01300.
 CONTACT ELCON FOR TOOLING QUOTE OR TO ORDER.

- 6. EXAMPLE PCB CONFIGURATION.
- 5. THIS 2X2 SEGMENT POWER AND SIGNAL CONFIGURATION SHOWN IS FOR REFERENCE ONLY. COMBINATION OF MULTIPLE NUMBERS OF 2 AND 3 SEGMENT MODULES COULD BE USED PER USER PREFERENCE. OVERALL COMBINATION SHOULD NOT EXCEED 8.0" IN LENGTH.
- 4. SOCKETS ACCEPT 1.6 [.062] ±10% THICK PC BOARD.

3. FINISHES:
 CONTACTS: SELECTIVE GOLD .000030" MIN THK OVER NICKEL .000040" MIN THK.
 TERMINALS: TIN PLATE, MATTE FINISH, .000100" MINIMUM THICKNESS

2. MATERIALS:
 INSULATORS: THERMOPLASTIC, GLASS REINFORCED, COLOR-BLACK, UL94V-0 FLAMMABILITY RATED.
 CONTACTS: PHOSPHOR BRONZE ALLOY

1. PART NUMBER CHANGES AND OR DESIGN CHANGES AFFECTING ITEM INTERCHANGEABILITY REQUIRE PRIOR ELCON APPROVAL AND AUTHORIZATION BY REVISION TO THIS DRAWING.

NOTES: UNLESS OTHERWISE SPECIFIED;

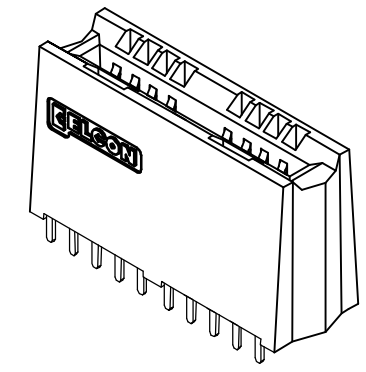
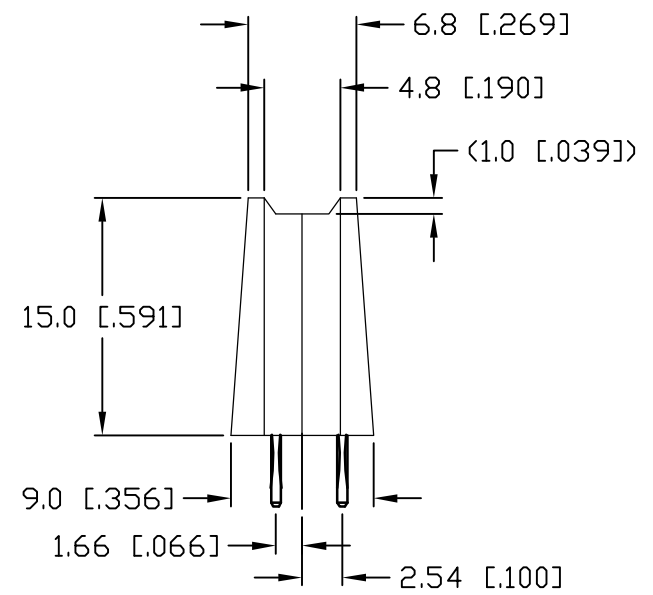
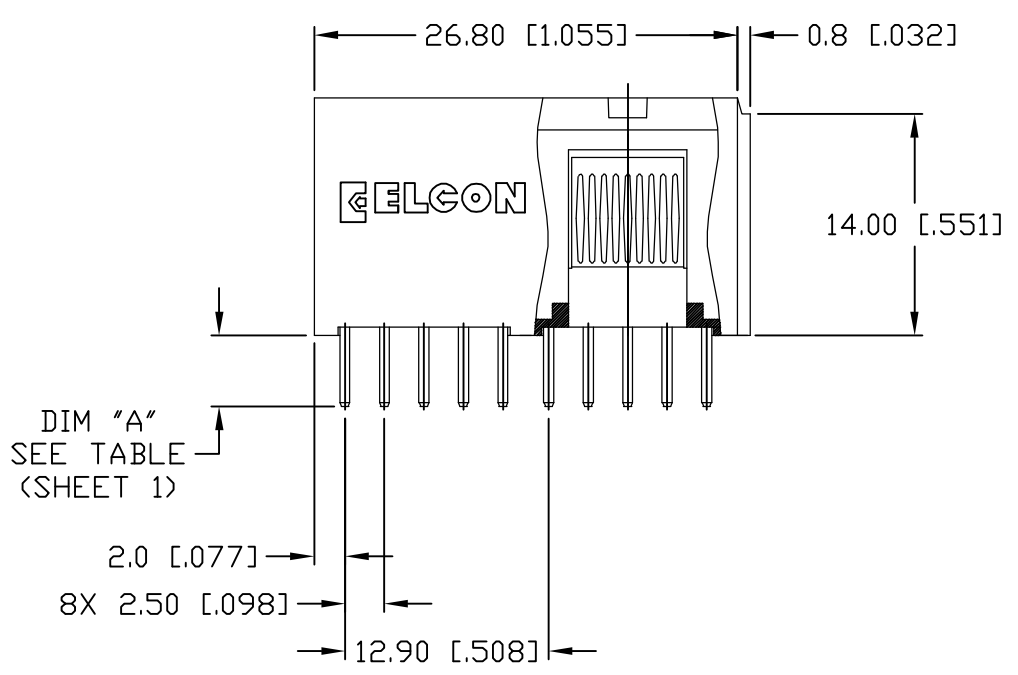
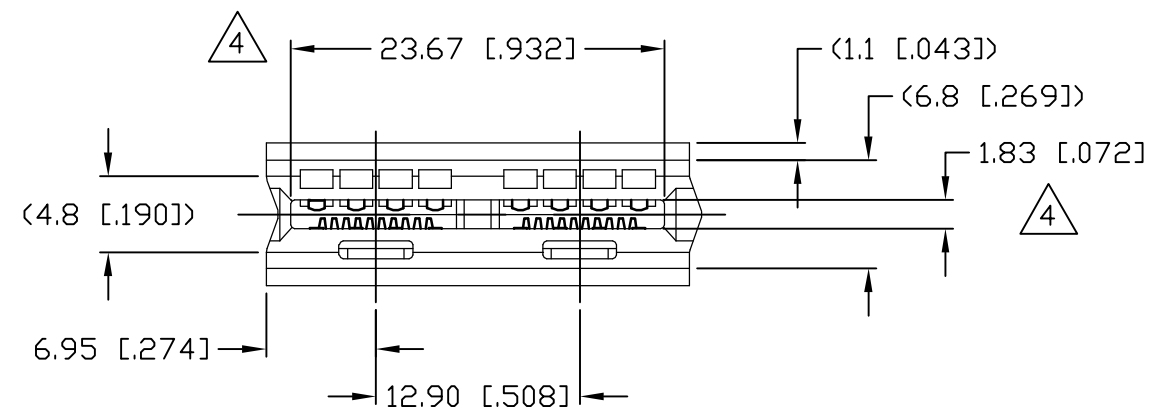
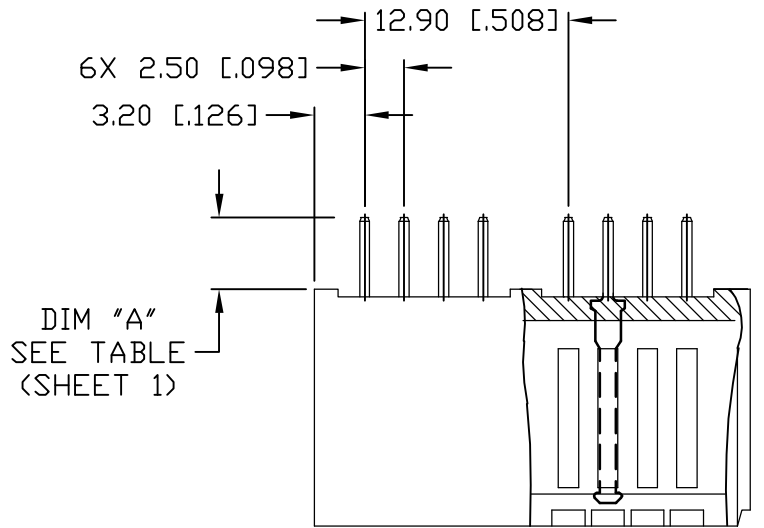
9. PART NUMBER INFORMATION

CONNECTOR	TYCO PART NUMBER	TERMINATION TYPE	PC TAIL LENGTH DIM "A"	RECOMMENDED MOUNTING BOARD	MATING BOARD
SOCKET	6643460-1	SOLDER TAIL (SHORT)	3.56 [.140] 2.54 [.100]	1.6 [.062] THICK	1.6 [.062] THICK
SOCKET	6643460-2	SOLDER TAIL (STANDARD)	5.08 [.200] 4.06 [.160]	3.2 [.125] OR THINNER	1.6 [.062] THICK
SOCKET	6643460-3	COMPLIANT TAIL	5.08 [.200] 4.06 [.160]	2.3 [.093] OR THICKER	1.6 [.062] THICK

THIS DRAWING IS A CONTROLLED DOCUMENT.		DWN G.PETERS 04JAN2007	Tyco Electronics Corporation Harrisburg, PA 17105-3608		
DIMENSIONS: mm		CHK D.ORRIS 04JAN2007	NAME SOCKET CONNECTOR, CROWN EDGE		
		APVD S.FLICKINGER 04JAN2007	PRODUCT SPEC -		
TOLERANCES UNLESS OTHERWISE SPECIFIED:		APPLICATION SPEC -			
0 PLC ± - 1 PLC ± .5 [.010] 2 PLC ± .25 [.020] 3 PLC ± - 4 PLC ± - ANGLES ± .5		SIZE A3		CAGE CODE 00779	DRAWING NO G-6643460
MATERIAL -		WEIGHT -		RESTRICTED TO -	
CUSTOMER DRAWING			SCALE 1:1	SHEET 1 OF 6	REV B

THIS DRAWING IS UNPUBLISHED. RELEASED FOR PUBLICATION
 © COPYRIGHT 2006 BY TYCO ELECTRONICS CORPORATION. ALL RIGHTS RESERVED.

LOC	DIST	REVISIONS					
GP	00	P	LTR	DESCRIPTION	DATE	DWN	APVD
				SEE SHEET 1			

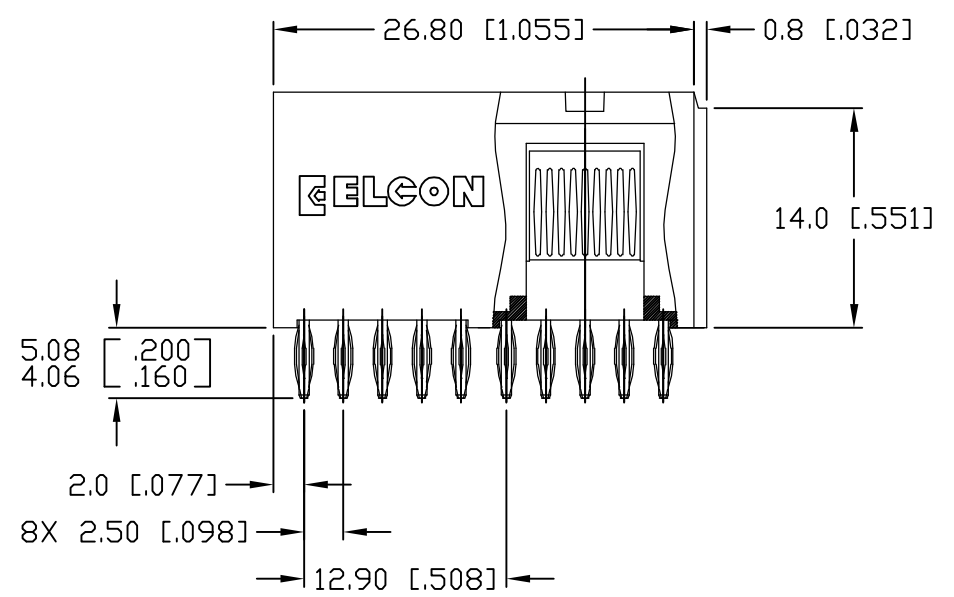
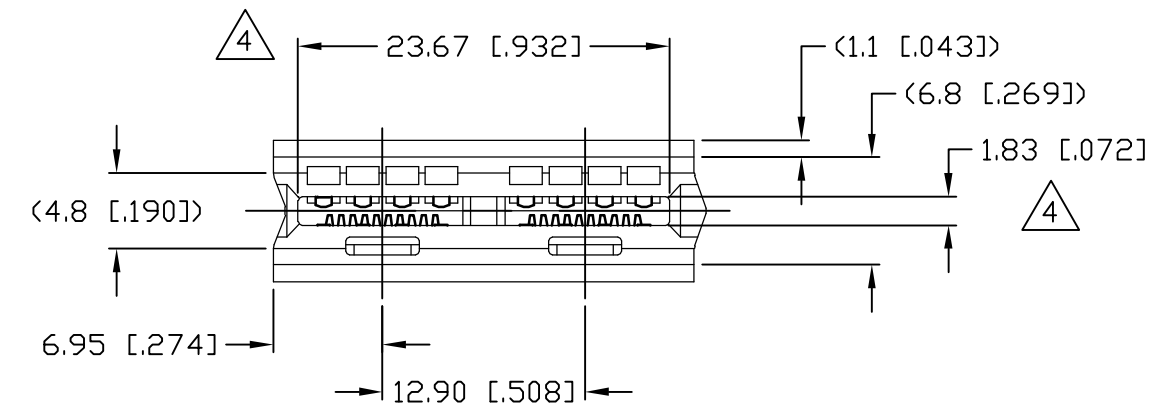
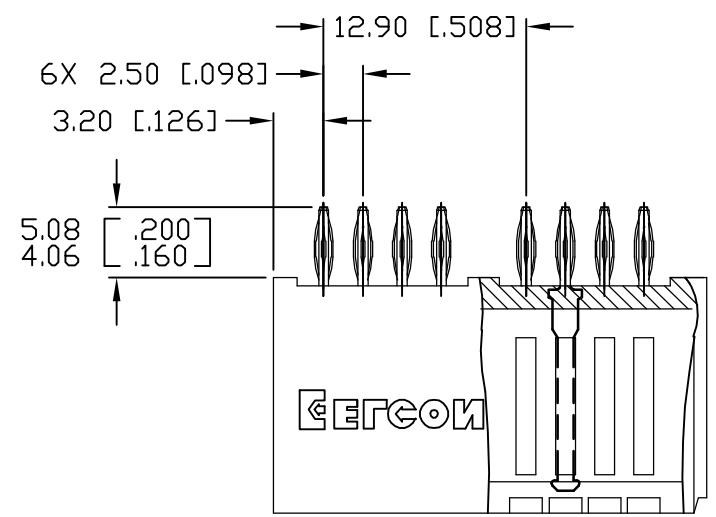


VIEW SHOWN (SOLDER TAILS)
 P/N'S 6643460-1 & -2

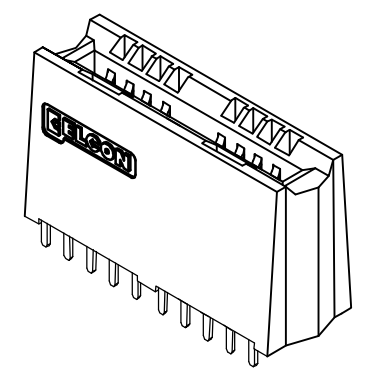
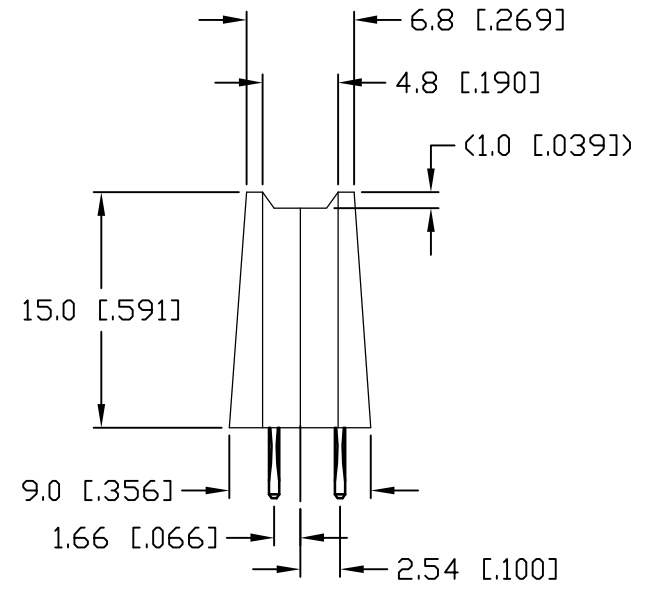
THIS DRAWING IS A CONTROLLED DOCUMENT.		DWN	G.PETERS	04JAN2007	 Tyco Electronics Corporation Harrisburg, PA 17105-3608					
DIMENSIONS: mm		CHK	D.ORRIS	04JAN2007						
TOLERANCES UNLESS OTHERWISE SPECIFIED:		APVD	S.FLICKINGER	04JAN2007						
0 PLC ± - 1 PLC ± .5 [.010] 2 PLC ± .25 [.020] 3 PLC ± - 4 PLC ± - ANGLES ± .5		NAME		SOCKET CONNECTOR, CROWN EDGE						
MATERIAL		FINISH		APPLICATION SPEC	SIZE	CAGE CODE	DRAWING NO	RESTRICTED TO		
-		-		WEIGHT	A3 00779		C=6643460	-		
CUSTOMER DRAWING					SCALE	1:1	SHEET	2 OF 6	REV	B

THIS DRAWING IS UNPUBLISHED. RELEASED FOR PUBLICATION
 © COPYRIGHT 2006 BY TYCO ELECTRONICS CORPORATION. ALL RIGHTS RESERVED.

LOC	DIST	REVISIONS					
GP	00	P	LTR	DESCRIPTION	DATE	DWN	APVD
		-	-	SEE SHEET 1	-	-	-



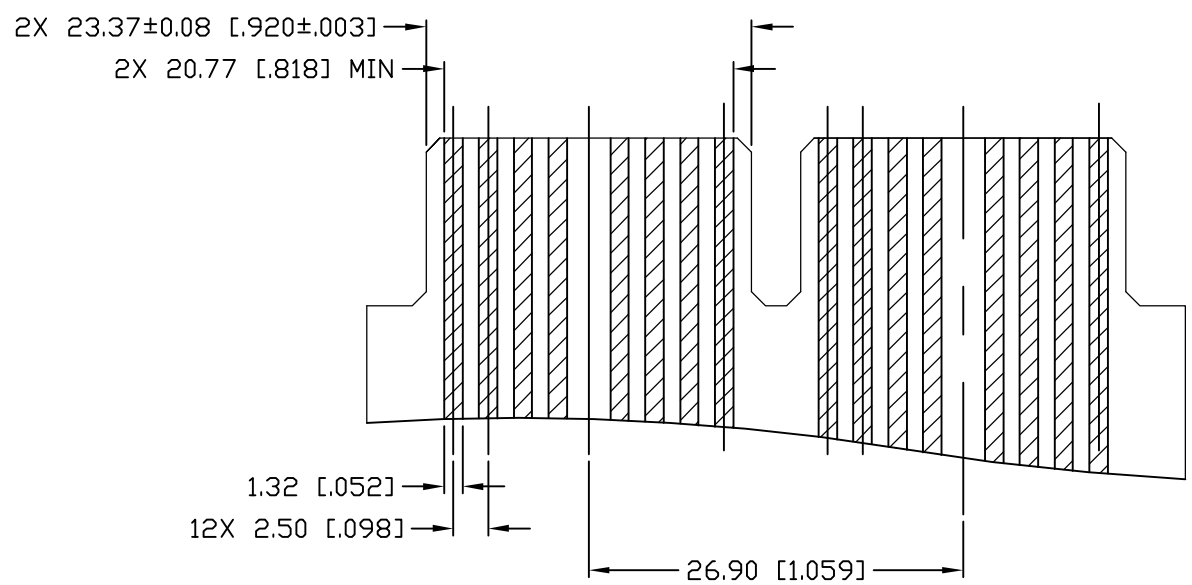
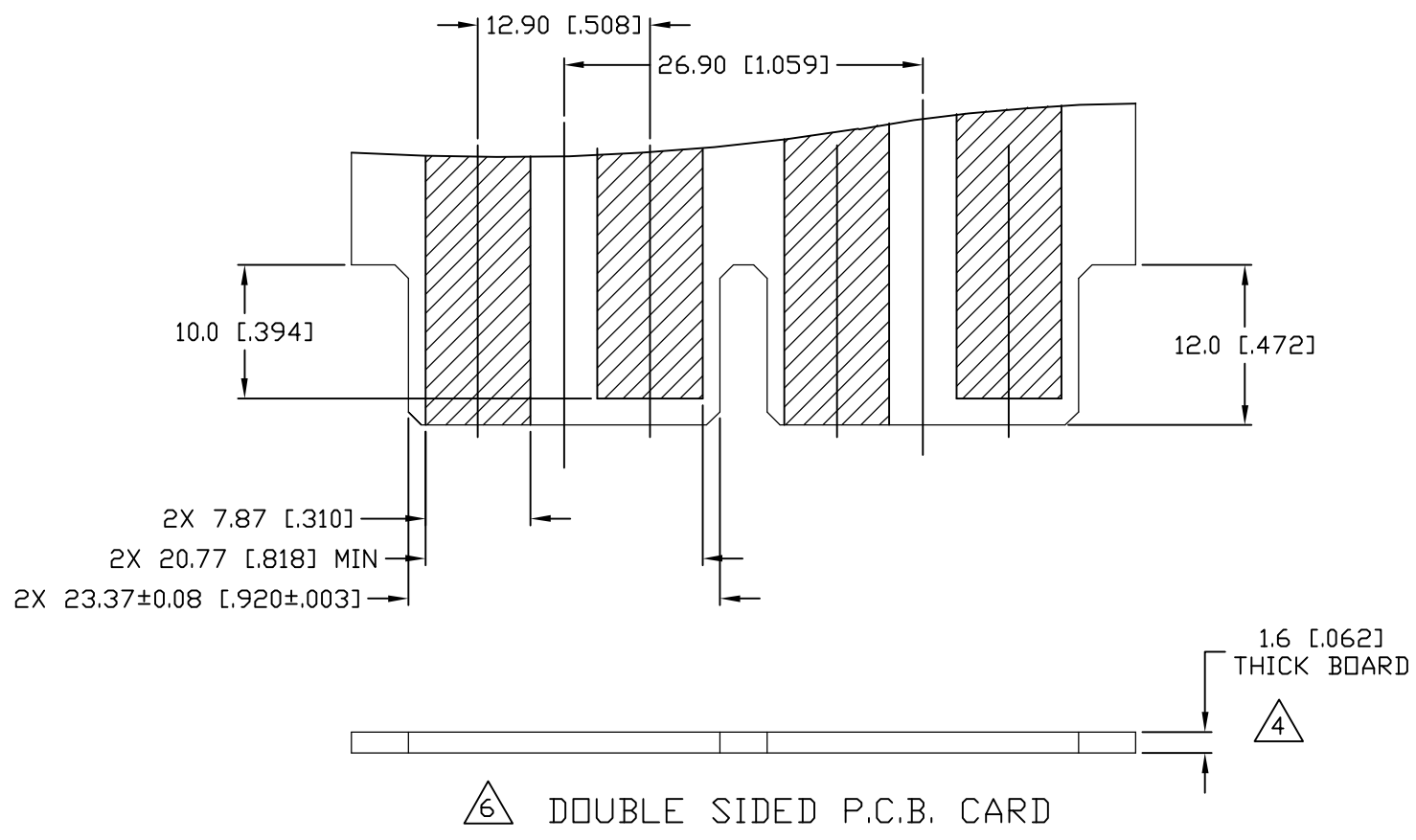
VIEW SHOWN (COMPLIANT TAILS)
 P/N'S 6643460-3



THIS DRAWING IS A CONTROLLED DOCUMENT.		DWN G.PETERS 04JAN2007	Tyco Electronics Corporation Harrisburg, PA 17105-3608	
DIMENSIONS: mm		CHK D.ORRIS 04JAN2007		
TOLERANCES UNLESS OTHERWISE SPECIFIED:		APVD S.FLICKINGER 04JAN2007	NAME	
0 PLC ± - 1 PLC ± .5 [0.010] 2 PLC ± .25 [0.020] 3 PLC ± - 4 PLC ± - ANGLES ± .5		PRODUCT SPEC -	SOCKET CONNECTOR, CROWN EDGE	
MATERIAL -		FINISH -	APPLICATION SPEC -	RESTRICTED TO -
		WEIGHT -	SIZE A3	CAGE CODE 00779
		CUSTOMER DRAWING	DRAWING NO C-6643460	RESTRICTED TO -
			SCALE 1:1	SHEET 3 OF 6
				REV B

THIS DRAWING IS UNPUBLISHED. RELEASED FOR PUBLICATION
 © COPYRIGHT 2006 BY TYCO ELECTRONICS CORPORATION. ALL RIGHTS RESERVED.

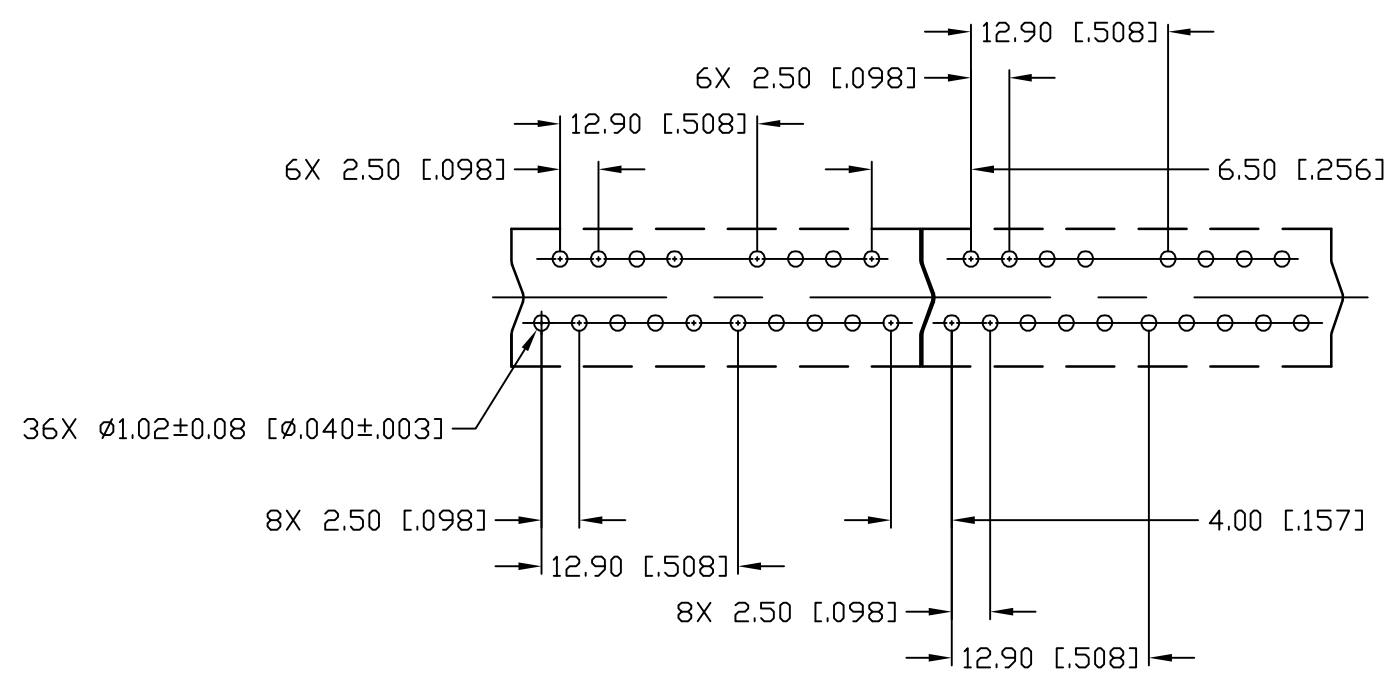
LOC	DIST	REVISIONS					
GP	00	P	LTR	DESCRIPTION	DATE	DWN	APVD
				SEE SHEET 1			



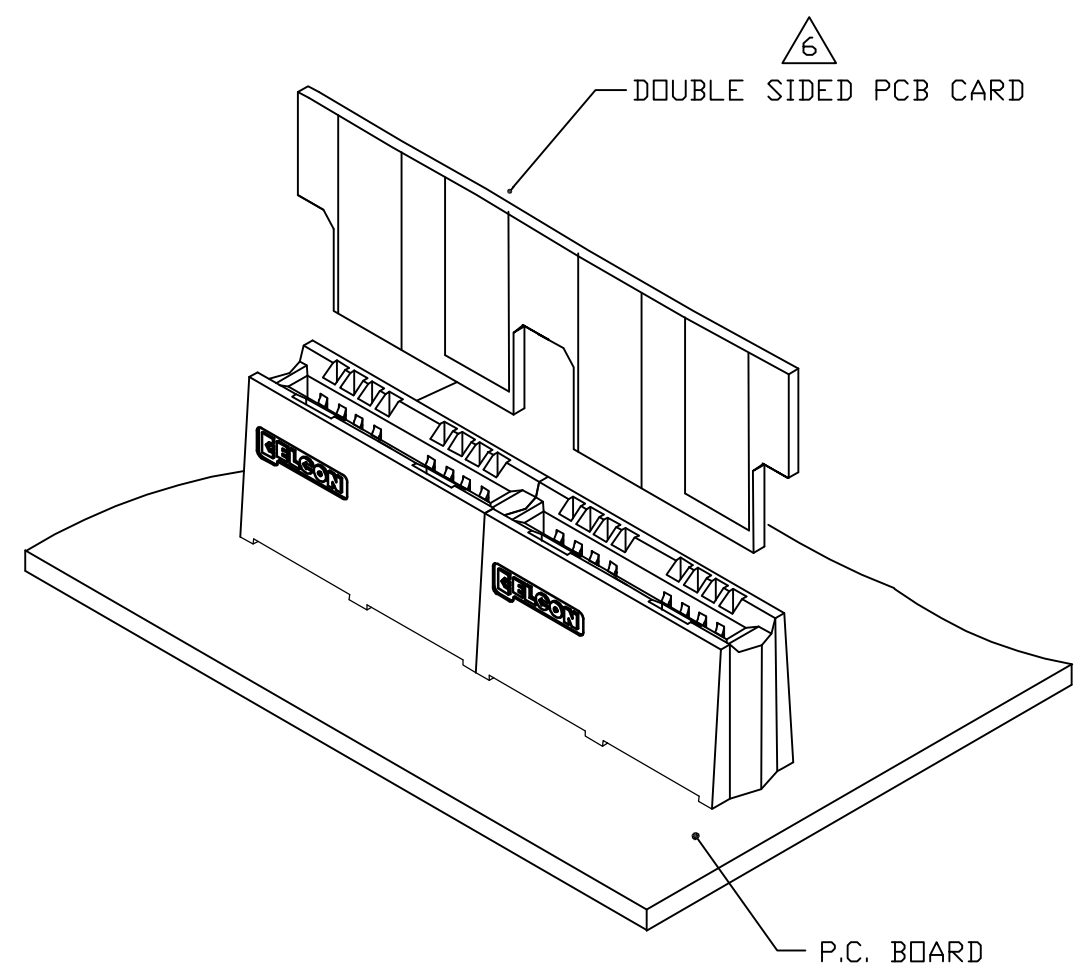
THIS DRAWING IS A CONTROLLED DOCUMENT.		DWN	G.PETERS	04JAN2007	 Tyco Electronics Corporation Harrisburg, PA 17105-3608				
DIMENSIONS: mm		CHK	D.ORRIS	04JAN2007					
TOLERANCES UNLESS OTHERWISE SPECIFIED:		APVD	S.FLICKINGER	04JAN2007					
0 PLC ± - 1 PLC ± .5 [.010] 2 PLC ± .25 [.020] 3 PLC ± - 4 PLC ± - ANGLES ± .5		NAME		SOCKET CONNECTOR, CROWN EDGE					
MATERIAL		FINISH		PRODUCT SPEC	SIZE	CAGE CODE	DRAWING NO	RESTRICTED TO	
-		-		APPLICATION SPEC	A3	00779	C-6643460	-	
CUSTOMER DRAWING				WEIGHT	-	SCALE 1:1		SHEET 4 OF 6	REV B

THIS DRAWING IS UNPUBLISHED. RELEASED FOR PUBLICATION
 © COPYRIGHT 2006 BY TYCO ELECTRONICS CORPORATION. ALL RIGHTS RESERVED.

LOC	DIST	REVISIONS			
P	LTR	DESCRIPTION	DATE	DWN	APVD
GP	00	SEE SHEET 1	-	-	-



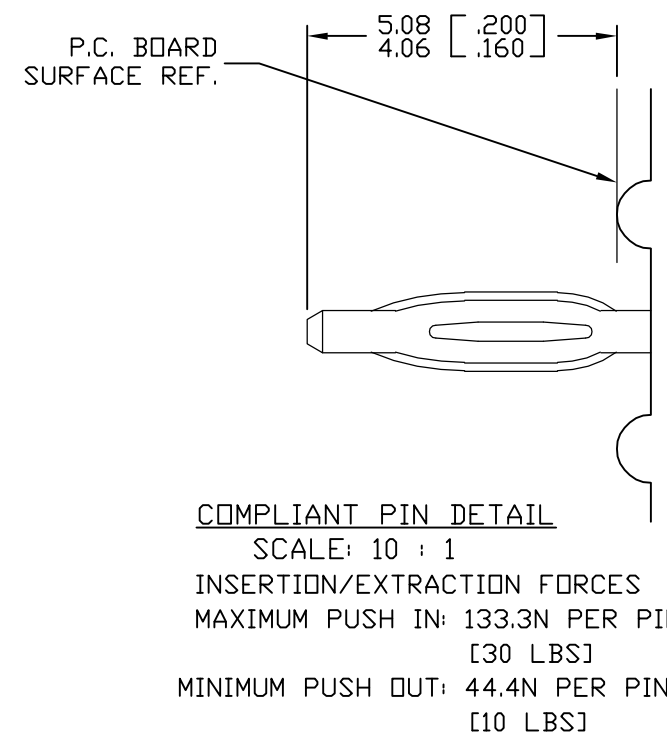
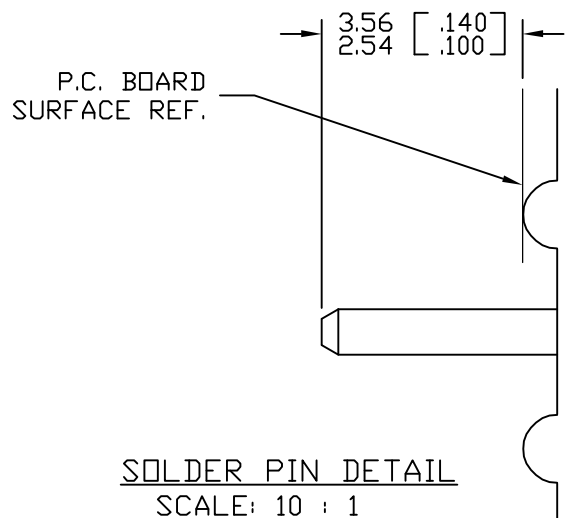
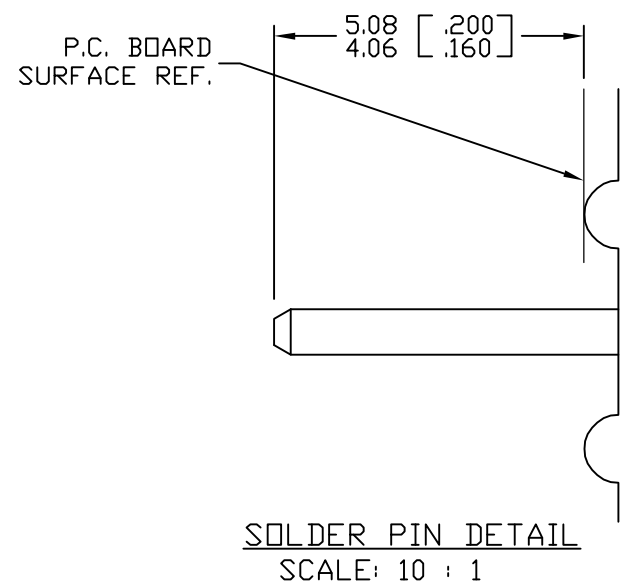
5 RECOMMENDED P.C. BOARD LAYOUT



THIS DRAWING IS A CONTROLLED DOCUMENT.		DWN G.PETERS	04JAN2007	Tyco Electronics Corporation Harrisburg, PA 17105-3608	
DIMENSIONS: mm		CHK D.ORRIS	04JAN2007		
TOLERANCES UNLESS OTHERWISE SPECIFIED:		APVD S.FLICKINGER	04JAN2007	NAME	
0 PLC ± - 1 PLC ± .5 [.010] 2 PLC ± .25 [.020] 3 PLC ± - 4 PLC ± - ANGLES ± .5		PRODUCT SPEC		SOCKET CONNECTOR, CROWN EDGE	
MATERIAL		APPLICATION SPEC		SIZE	RESTRICTED TO
FINISH		WEIGHT		A3	-
		CUSTOMER DRAWING		CAGE CODE	DRAWING NO
				00779	6643460
				SCALE	SHEET
				1:1	5 OF 6
				REV	B

THIS DRAWING IS UNPUBLISHED. RELEASED FOR PUBLICATION
 © COPYRIGHT 2006 BY TYCO ELECTRONICS CORPORATION. ALL RIGHTS RESERVED.

LOC	DIST	REVISIONS			
P	LTR	DESCRIPTION	DATE	DWN	APVD
GP	00	SEE SHEET 1	-	-	-



RECOMMENDED PRINTED CIRCUIT HOLE
 SOLDER OR COMPLIANT PRESS FIT
 FINISHED HOLE: $\phi 1.02$ [.040] $\pm .08$ [.003]
 DRILLED HOLE: $\phi 1.15$ [.0453] $\pm .013$ [.0005]
 COPPER PLATE: .025 [.0010] MINIMUM (PER SURFACE)
 TIN PLATE: .008 [.0003] MINIMUM (PER SURFACE)

THIS DRAWING IS A CONTROLLED DOCUMENT.		DWN G.PETERS	04JAN2007	Tyco Electronics Corporation Harrisburg, PA 17105-3608	
DIMENSIONS: mm		CHK D.ORRIS	04JAN2007		
		APVD S.FLICKINGER	04JAN2007		
TOLERANCES UNLESS OTHERWISE SPECIFIED:		PRODUCT SPEC		NAME	
0 PLC $\pm -$ 1 PLC $\pm .5$ [.010] 2 PLC $\pm .25$ [.020] 3 PLC $\pm -$ 4 PLC $\pm -$ ANGLES $\pm .5$		APPLICATION SPEC		SOCKET CONNECTOR, CROWN EDGE	
MATERIAL		WEIGHT		SIZE	RESTRICTED TO
-		-		A3	-
FINISH		CUSTOMER DRAWING		CAGE CODE	DRAWING NO
-		-		00779	C-6643460
SCALE 1:1				SHEET 6 OF 6	REV B