



Chipsmall Limited consists of a professional team with an average of over 10 year of expertise in the distribution of electronic components. Based in Hongkong, we have already established firm and mutual-benefit business relationships with customers from,Europe,America and south Asia,supplying obsolete and hard-to-find components to meet their specific needs.

With the principle of “Quality Parts,Customers Priority,Honest Operation,and Considerate Service”,our business mainly focus on the distribution of electronic components. Line cards we deal with include Microchip,ALPS,ROHM,Xilinx,Pulse,ON,Everlight and Freescale. Main products comprise IC,Modules,Potentiometer,IC Socket,Relay,Connector.Our parts cover such applications as commercial,industrial, and automotives areas.

We are looking forward to setting up business relationship with you and hope to provide you with the best service and solution. Let us make a better world for our industry!



## Contact us

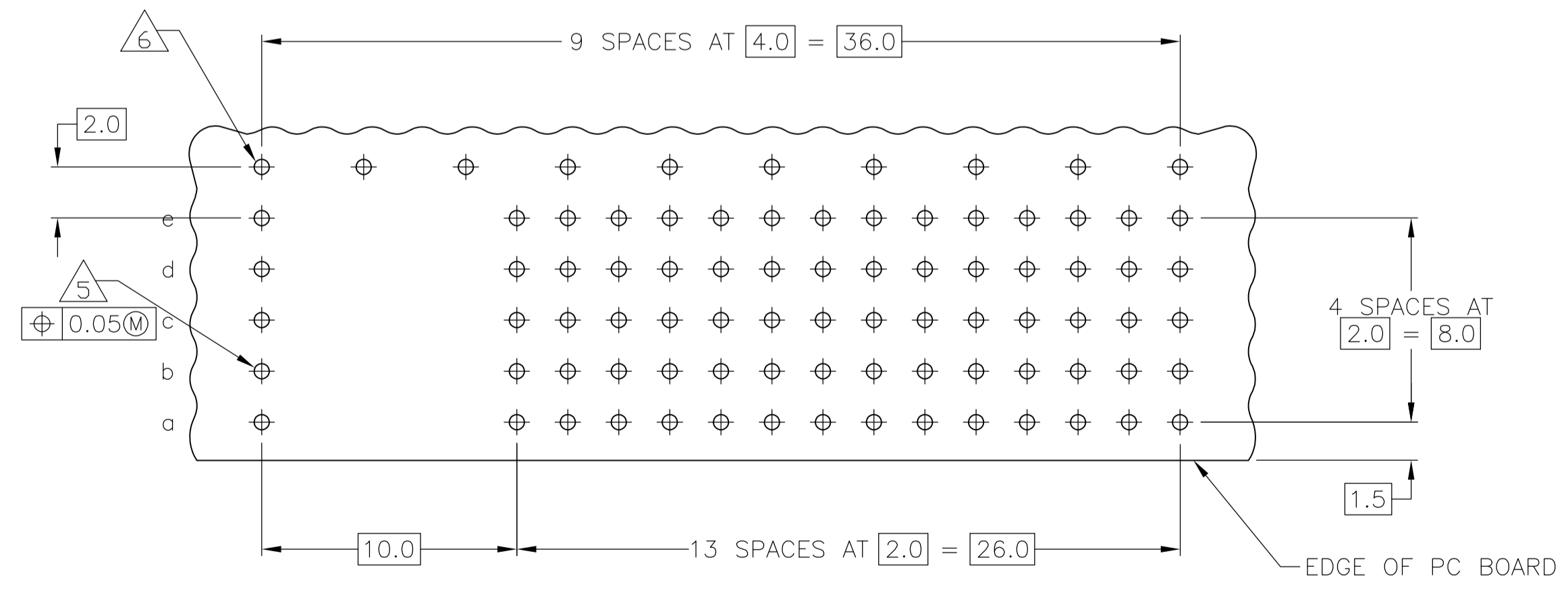
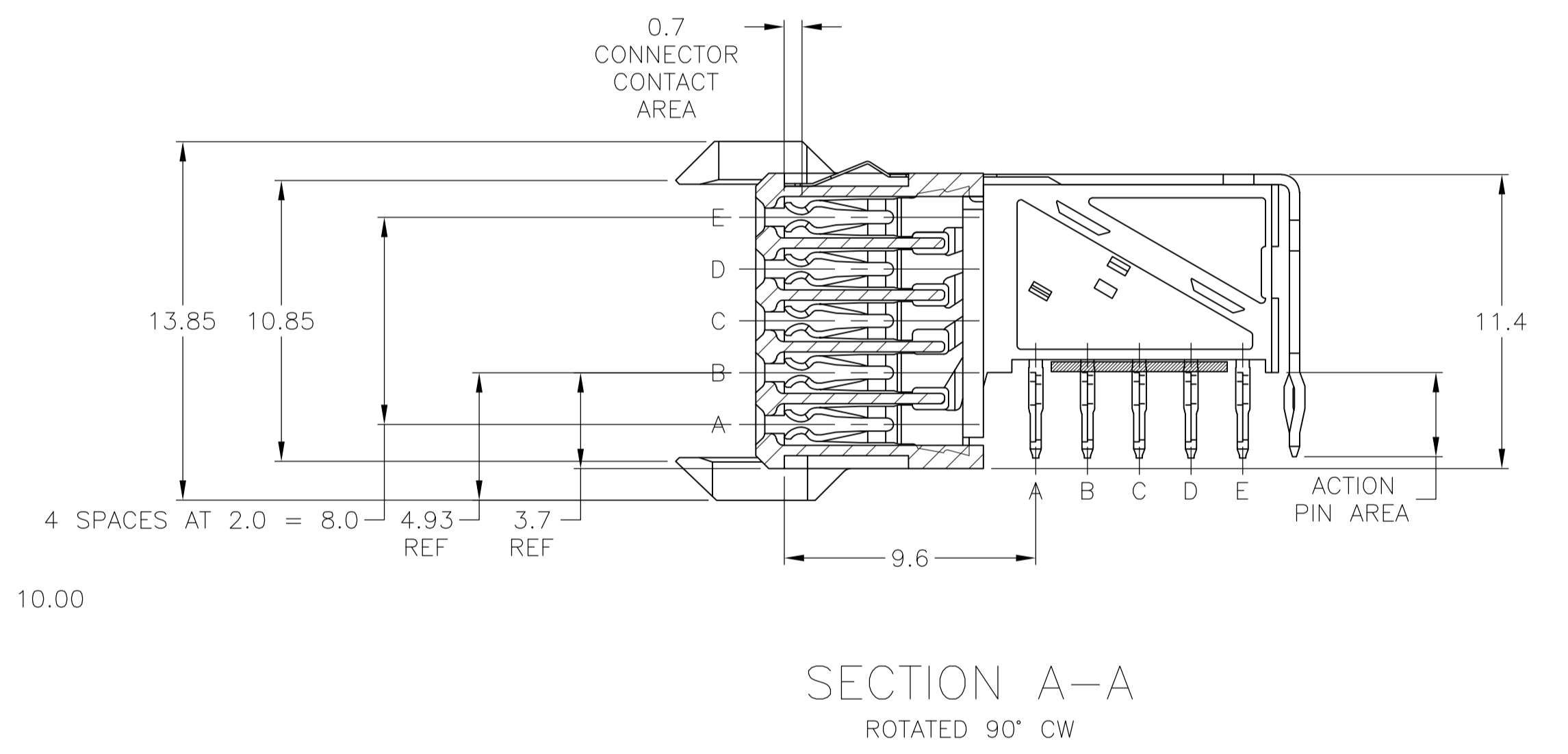
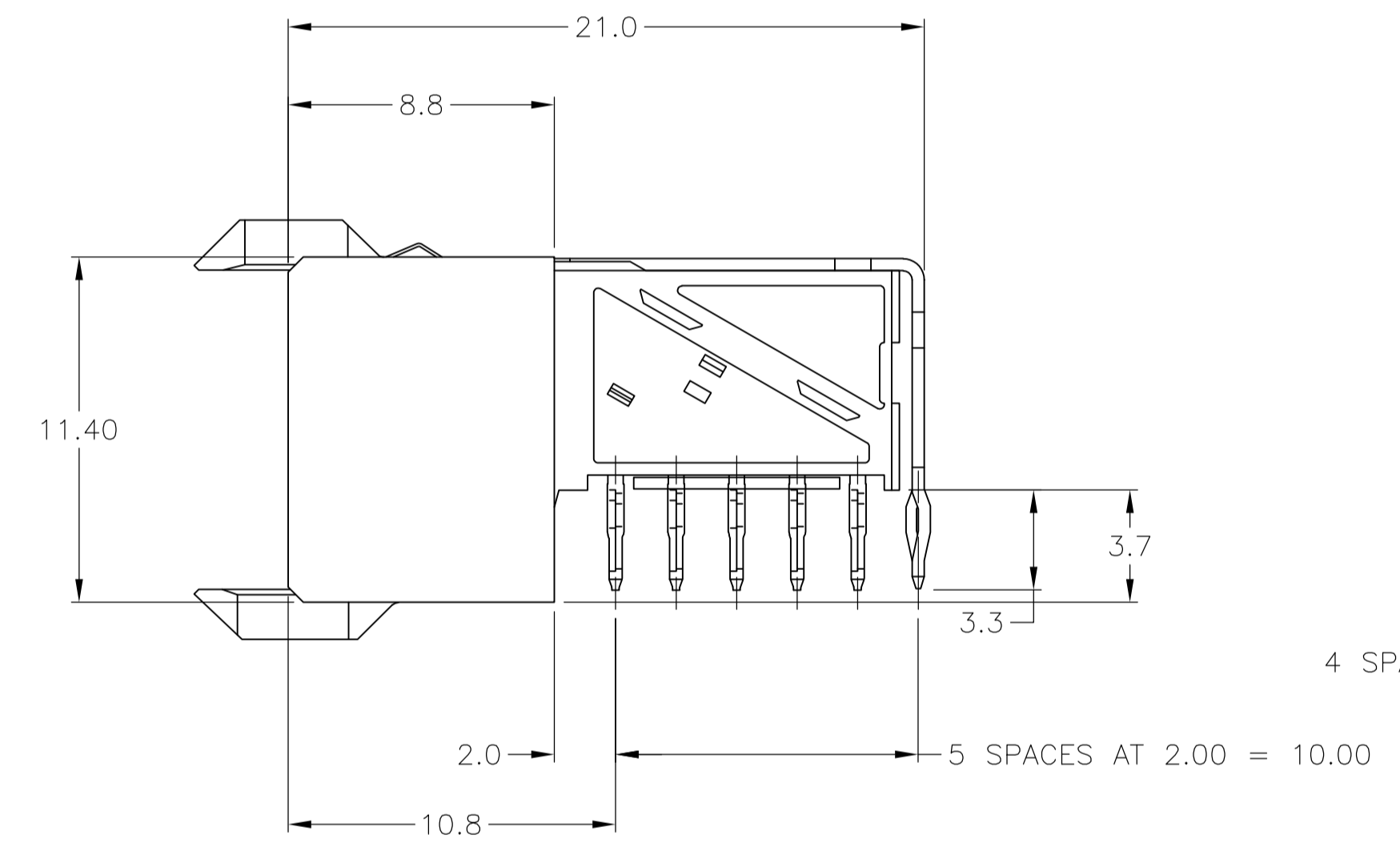
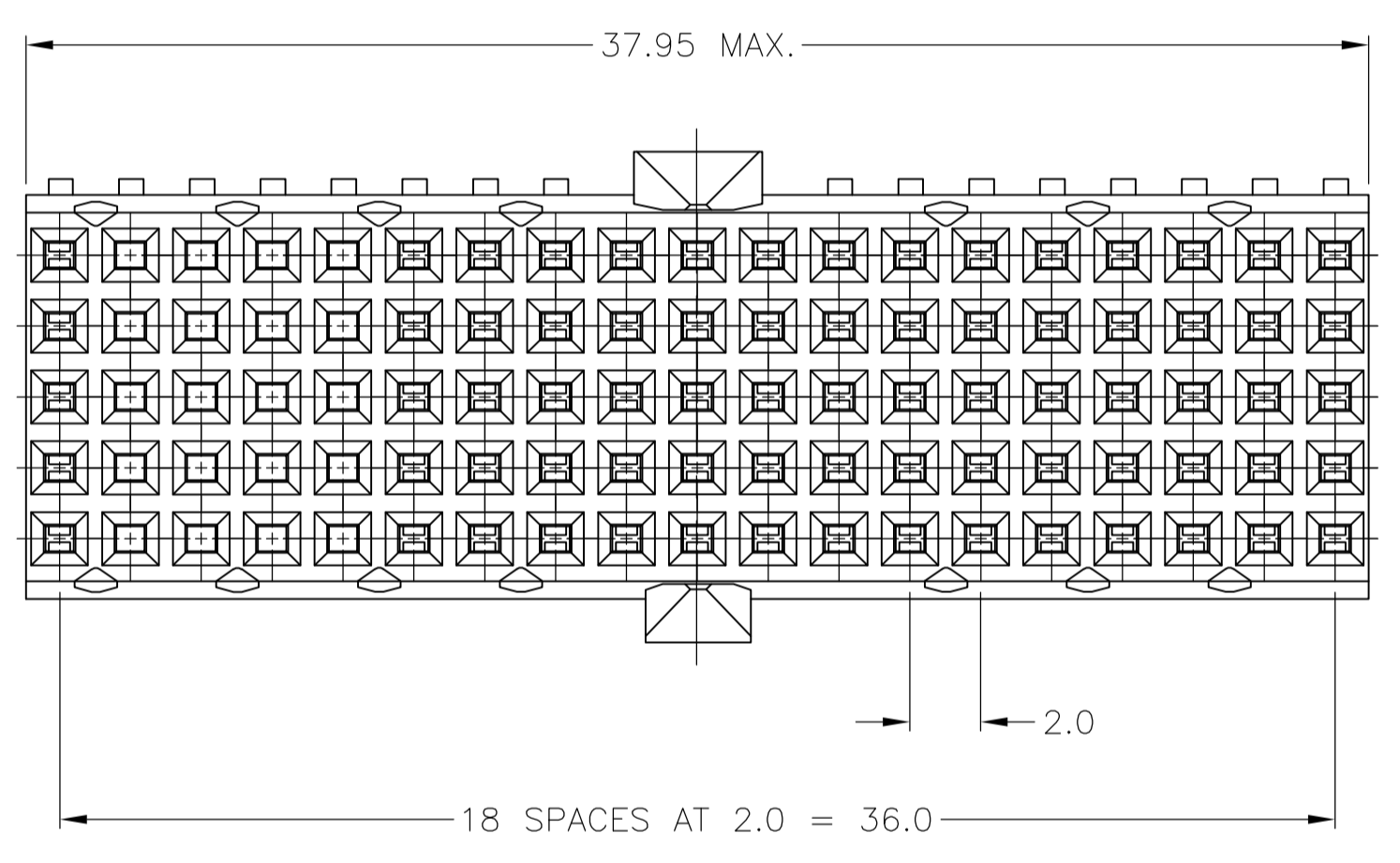
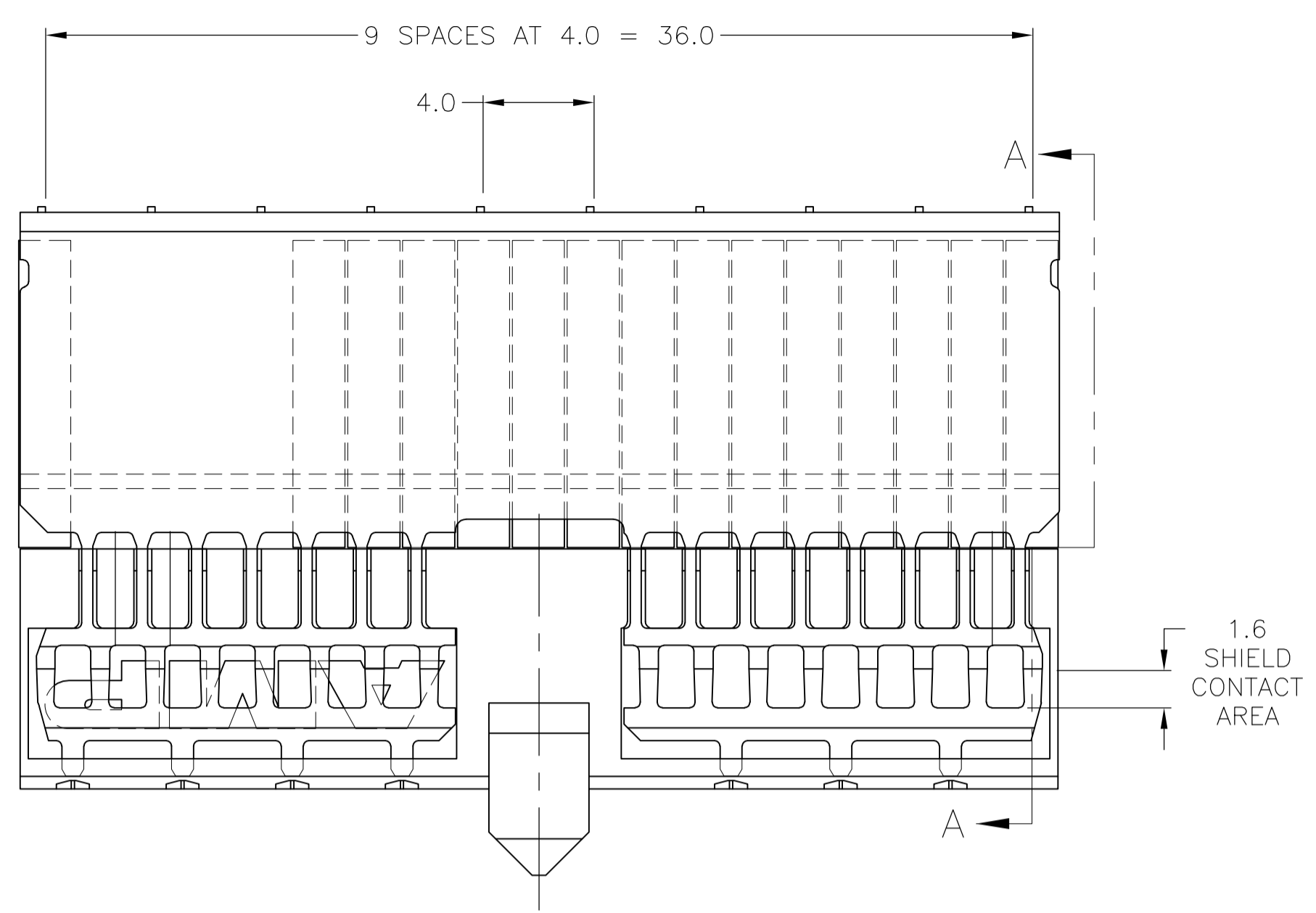
Tel: +86-755-8981 8866 Fax: +86-755-8427 6832

Email & Skype: info@chipsmall.com Web: www.chipsmall.com

Address: A1208, Overseas Decoration Building, #122 Zhenhua RD., Futian, Shenzhen, China



LOC		DIST		REVISIONS			
AD	00	REV	DATE	BY	CHKD	APVD	
O	REV PER EC 0512-0319-04	01AUG05	BC	GS			
A	ECR-10-018652	10SEP10	SW	MQW			
B	ECO-11-024491	13DEC11	SY	MQW			



- 1 MATERIAL:  
CONTACT: PHOSPHOR BRONZE.  
HOUSING: GLASS-FILLED POLYESTER.
- 2 GENERAL PLATING SPECIFICATION: UNDERPLATING  
(ENTIRE CONTACT): 1.27µm MIN NICKEL AND ACTION  
PIN: 0.5µm MIN TIN.  
FOR PLATING OF MATING SURFACES SEE APPLICABLE  
SPECIFICATION REFERENCE FOR EACH DASH NUMBER.
- 3 CONFORMS TO ALL TESTING ACCORDING TO IEC 61076-4-101  
PERFORMANCE LEVEL 2.
- 4 PART NUMBER AND DATE CODE MARKED LOWEST LEVEL OF PACKAGING.
- 5 PLATED THROUGH HOLES AT 2mm SQUARE GRID, 75 HOLES.  
PC BOARD HOLES ARE AS FOLLOWS:  
DRILLED HOLE: 0.700±0.025.  
FINISHED HOLE: 0.55-0.65.  
COPPER THICKNESS: 0.025-0.050.  
TIN THICKNESS: 0.004-0.010 (OPTIONAL).
- 6 10 PLATED THROUGH HOLES FOR UPPER SHIELD, ROW F.
- 7 SHIELD MOUNTED TO CONNECTOR WITH ADHESIVE.

RECOMMENDED PC BOARD LAYOUT  
COMPONENT SIDE

6645021-1  
PART NUMBER

THIS DRAWING IS A CONTROLLED DOCUMENT.		DIN B CARBO 01AUG05	Tyco Electronics Corporation Harrisburg, Pa 17105-3608
DIMENSIONS: mm		CHK G SKIPPER 01AUG05	
TOLERANCES UNLESS OTHERWISE SPECIFIED:		APVD G SKIPPER 01AUG05	NAME
0-PLC ±		RECEPTACLE ASSEMBLY, Z-PACK 2mm HM, TYPE A/B, PRE-SHIELDED, 75 POSITION	
1-PLC ±		APPLICATION SPEC	
2-PLC ±		SIZE CAGE CODE DRAWING NO	
3-PLC ±		A1 00779 C=6645021	
4-PLC ±		RESTRICTED TO	
ANGLES ±		WEIGHT	
FINISH		CUSTOMER DRAWING	

SCALE 5:1 SHEET 1 OF 1 REV B