



Chipsmall Limited consists of a professional team with an average of over 10 year of expertise in the distribution of electronic components. Based in Hongkong, we have already established firm and mutual-benefit business relationships with customers from,Europe,America and south Asia,supplying obsolete and hard-to-find components to meet their specific needs.

With the principle of "Quality Parts,Customers Priority,Honest Operation,and Considerate Service",our business mainly focus on the distribution of electronic components. Line cards we deal with include Microchip,ALPS,ROHM,Xilinx,Pulse,ON,Everlight and Freescale. Main products comprise IC,Modules,Potentiometer,IC Socket,Relay,Connector.Our parts cover such applications as commercial,industrial, and automotives areas.

We are looking forward to setting up business relationship with you and hope to provide you with the best service and solution. Let us make a better world for our industry!



## Contact us

Tel: +86-755-8981 8866 Fax: +86-755-8427 6832

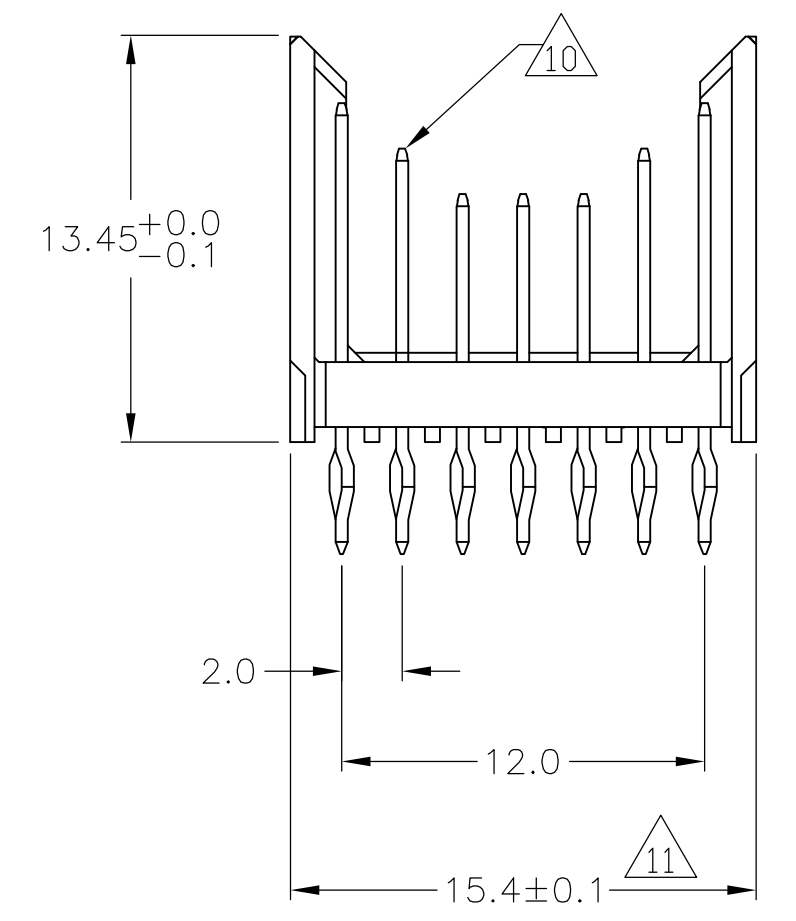
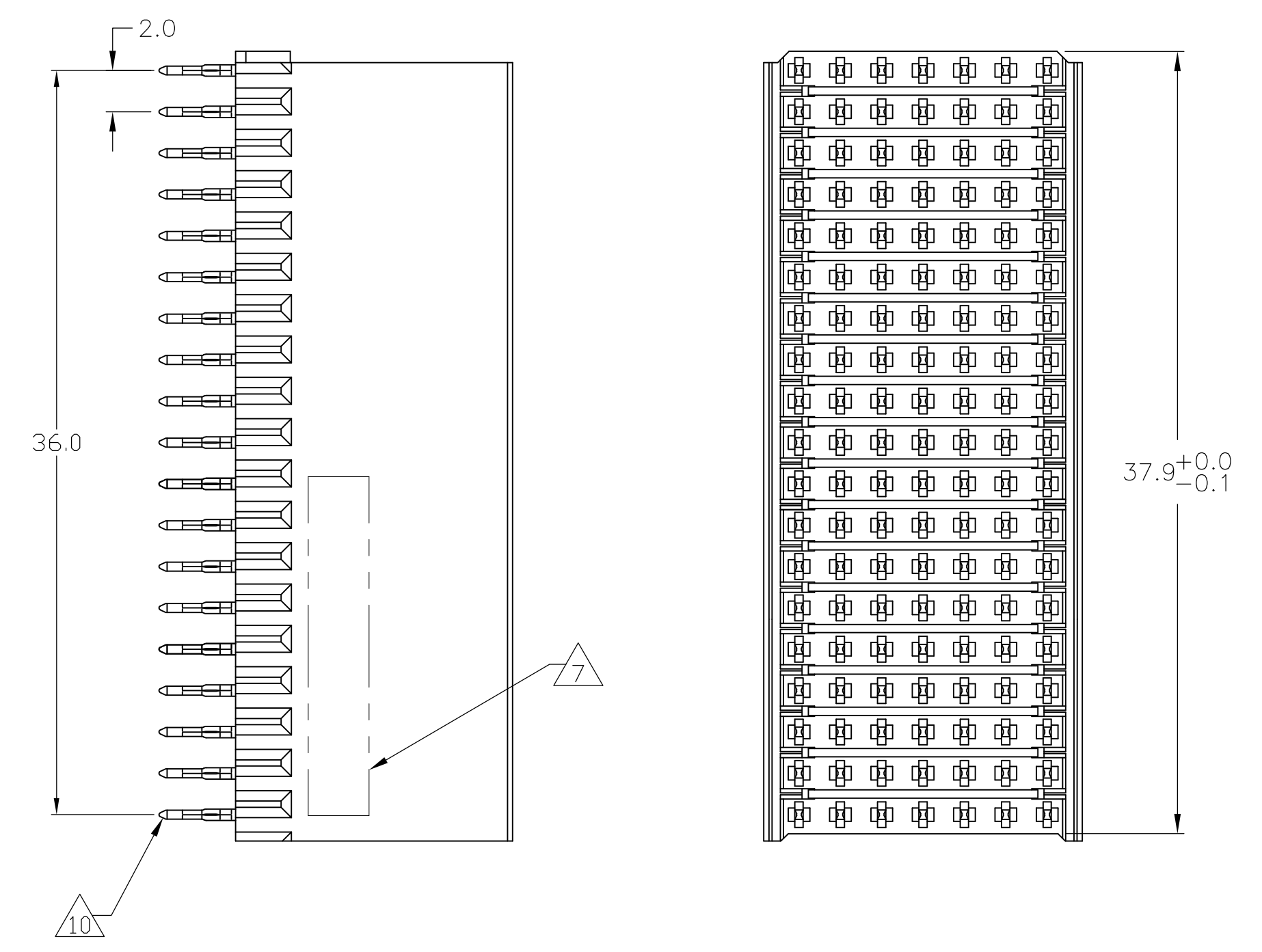
Email & Skype: info@chipsmall.com Web: www.chipsmall.com

Address: A1208, Overseas Decoration Building, #122 Zhenhua RD., Futian, Shenzhen, China

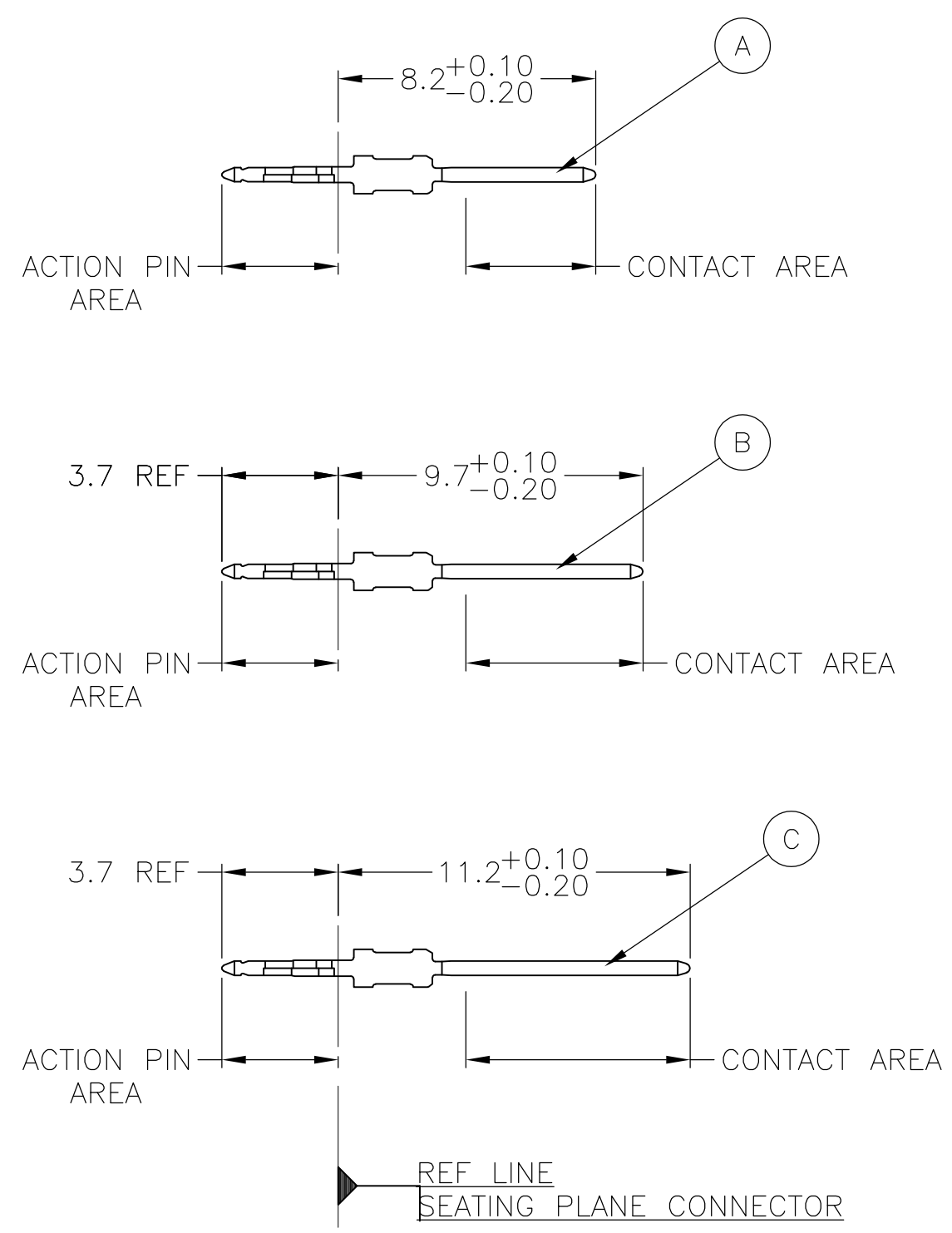


LOC		DIST		REVISIONS			
AD	00	REV	PER	EC	DATE	BY	APPROV
		0	REV	PER	EC	0512-0309-04	24MAY05 BC GS
		A	ECR	-10-019054			15SEP10 DP MQW

### CONNECTOR ASSEMBLY EXAMPLARY LOADED 9



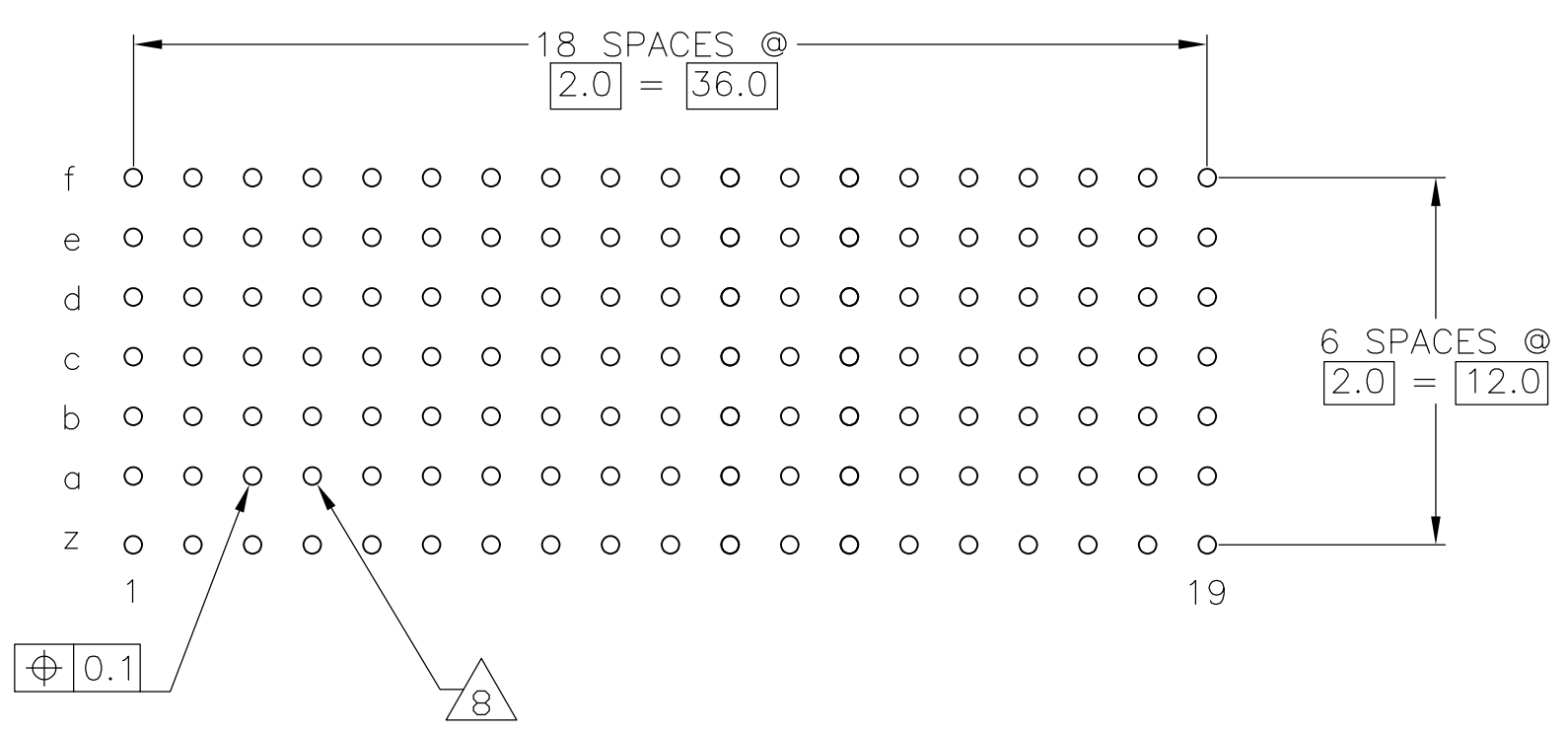
### CONTACT DIMENSIONS SCALE 5:1



### CONTACT LAYOUT

	z	a	b	c	d	e	f
1	C	B	A	A	A	B	C
2	C	B	A	A	A	B	C
3	C	B	A	A	A	B	C
4	C	B	A	A	A	B	C
5	C	B	A	A	A	B	C
6	C	B	A	A	A	B	C
7	C	B	A	A	A	B	C
8	C	B	A	A	A	B	C
9	C	B	A	A	A	B	C
10	C	B	A	A	A	B	C
11	C	B	A	A	A	B	C
12	C	B	A	A	A	B	C
13	C	B	A	A	A	B	C
14	C	B	A	A	A	B	C
15	C	B	A	A	A	B	C
16	C	B	A	A	A	B	C
17	C	B	A	A	A	B	C
18	C	B	A	A	A	B	C
19	C	B	A	A	A	B	C

### RECOMMENDED PCB-HOLE LAYOUT COMPONENT SIDE SHOWN



### PLATED THRU HOLES PARAMETERS REFERENCE APPLICATION SPECIFICATION


2	6	12	1-6645155-9
2	5	12	6645155-9
2	4		6645155-4
2	3		6645155-1
FINISH			PART NUMBER

THIS DRAWING IS A CONTROLLED DOCUMENT.

DIMENSIONS: mm	TOLERANCES UNLESS OTHERWISE SPECIFIED:	DIN B CARBO 24MAY05	24MAY05	24MAY05	24MAY05	Tyco Electronics Corporation Harrisburg, Pa 17105-3608
0-PLC ±	1-PLC ±0.2	APPROV G SKIPPER	NAME G SKIPPER	PRODUCT SPEC	108-19082	MALE ASSEMBLY, Z-PACK 2mm HM, TYPE B
2-PLC ±	3-PLC ±	APPROV G SKIPPER	NAME G SKIPPER	APPLICATION SPEC	114-19029	SIZE CAGE CODE DRAWING NO RESTRICTED TO
4-PLC ±	ANGLES	MATERIAL 1	FINISH SEE TABLE	WEIGHT	A1 00779 C=6645155	SCALE 4:1 SHEET 1 OF 2 REV A
CUSTOMER DRAWING				SCALE 4:1 SHEET 1 OF 2 REV A		

LOC	DIST	REVISIONS					
AD	00	IF	LTR	DESCRIPTION	DATE	DRN	APVO
		-	-	SEE SHEET 1	-	-	-

- 1 MATERIAL:  
CONTACT: PHOSPHOR BRONZE.  
HOUSING: GLASS-FILLED POLYESTER.
- 2 GENERAL PLATING SPECIFICATION: UNDERPLATING  
(ENTIRE CONTACT): 1.27µm MIN NICKEL AND ACTION  
PIN: 0.5µm MIN TIN.  
FOR PLATING OF MATING SURFACES SEE APPLICABLE  
SPECIFICATION REFERENCE FOR EACH DASH NUMBER.
- 3 CONFORMS TO ALL TESTING ACCORDING TO IEC 61076-4-101  
PERFORMANCE LEVEL 2.
- 4 CONFORMS TO ALL TESTING ACCORDING TO IEC 61076-4-101  
PERFORMANCE LEVEL 1.
- 5 CONNECTOR TESTED AND QUALIFIED AGAINST TELCORDIA GR-1217-CORE QUALITY LEVEL 3,  
CENTRAL OFFICE APPLICATIONS.
- 6 CONNECTOR TESTED AND QUALIFIED AGAINST TELCORDIA GR-1217-CORE QUALITY LEVEL 3,  
UNCONTROLLED ENVIROMENT APPLICATIONS.
- 7 CONNECTOR MARKED WITH PART NUMBER AND DATE CODE.  
ADDITIONAL CHARACTERS OR MARKINGS, AS WELL AS THE LOCATION OF THE MARKINGS,  
MAY BE ADDED FOR TRACEABILITY BASED UPON MANUFACTURERS DISCRETION.
- 8 PLATED-THROUGH HOLES AT 2x2mm SQUARE GRID  
PATTERN DEFINED BY CONTACT LAYOUT.
- 9 FOR ACTUAL PIN LOADING SEE "CONTACT LAYOUT".
- 10 FOR ACTUAL PIN DIMENSIONS SEE "CONTACT DIMENSIONS".
- 11 TO BE MEASURED AT BOTTOM OF SHROUD.
- 12 CONNECTOR LUBRICATED WITH BELCORE APPROVED LUBRICANT,  
TECHNICAL REFERENCE: TR-NWT-001217 ISSUE 1, SEP 1992.

THIS DRAWING IS A CONTROLLED DOCUMENT.		DRN B CARBO	24MAY05	 Tyco Electronics Corporation Harrisburg, Pa 17105-3608
		CHK G.SKIPPER	24MAY05	
		APRD G.SKIPPER	24MAY05	NAME
		PRODUCT SPEC		
		108-19082		
		APPLICATION SPEC		
		114-19029		
		SIZE	CAGE CODE	DRAWING NO
		A1	00779	6645155
MATERIAL SEE SHEET 1		FINISH SEE SHEET 1	WEIGHT -	RESTRICTED TO -
		CUSTOMER DRAWING		SCALE 4:1 SHEET 2 OF 2 REV A