



Chipsmall Limited consists of a professional team with an average of over 10 year of expertise in the distribution of electronic components. Based in Hongkong, we have already established firm and mutual-benefit business relationships with customers from,Europe,America and south Asia,supplying obsolete and hard-to-find components to meet their specific needs.

With the principle of “Quality Parts,Customers Priority,Honest Operation,and Considerate Service”,our business mainly focus on the distribution of electronic components. Line cards we deal with include Microchip,ALPS,ROHM,Xilinx,Pulse,ON,Everlight and Freescale. Main products comprise IC,Modules,Potentiometer,IC Socket,Relay,Connector.Our parts cover such applications as commercial,industrial, and automotives areas.

We are looking forward to setting up business relationship with you and hope to provide you with the best service and solution. Let us make a better world for our industry!



Contact us

Tel: +86-755-8981 8866 Fax: +86-755-8427 6832

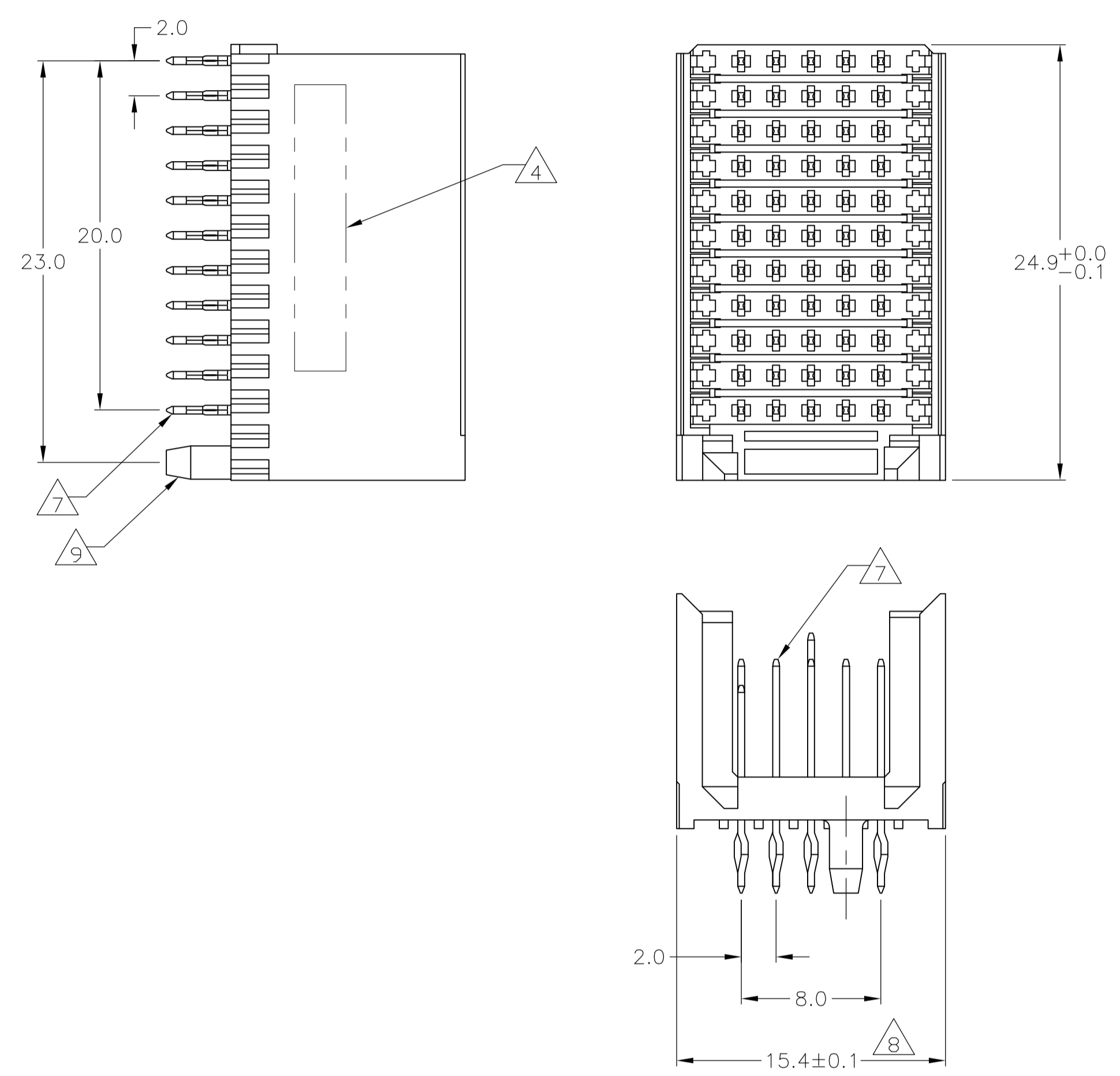
Email & Skype: info@chipsmall.com Web: www.chipsmall.com

Address: A1208, Overseas Decoration Building, #122 Zhenhua RD., Futian, Shenzhen, China



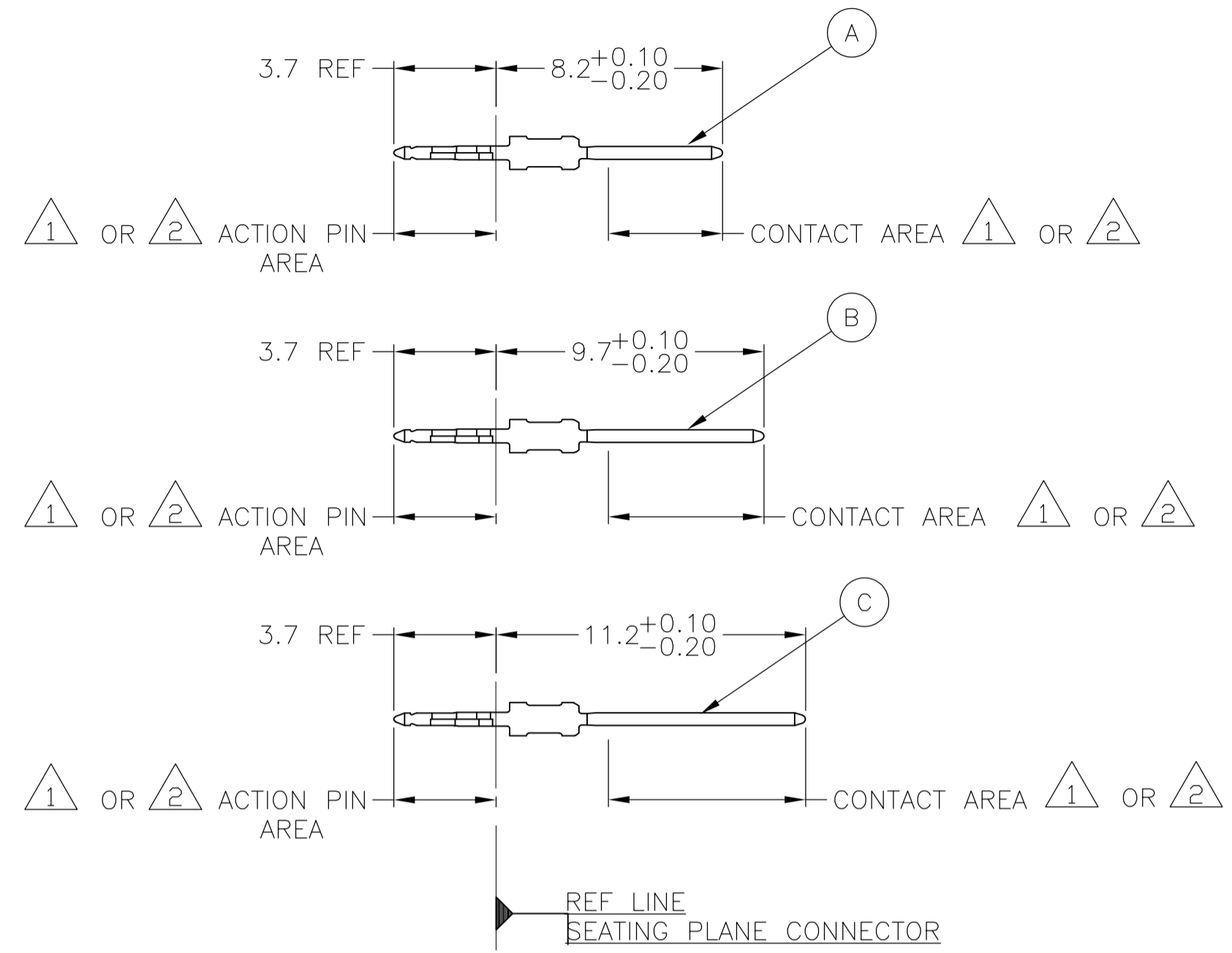
LOC		DIST		REVISIONS			
P	LTR	DESCRIPTION	DATE	DMN	APVD		
O	REV PER EC	OS12-0091-05	24FEB05	BC	GS		
A	ECR-10-019054		15SEP10	DP	MQW		

CONNECTOR ASSEMBLY EXAMPLARY LOADED

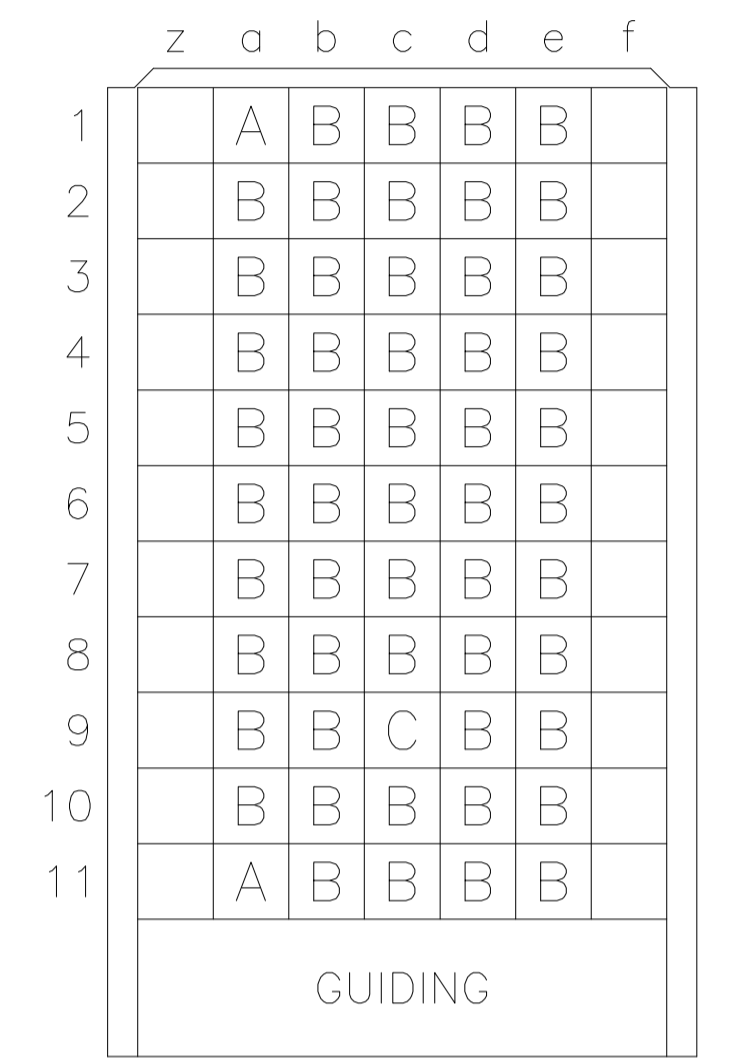


CONTACT DIMENSIONS

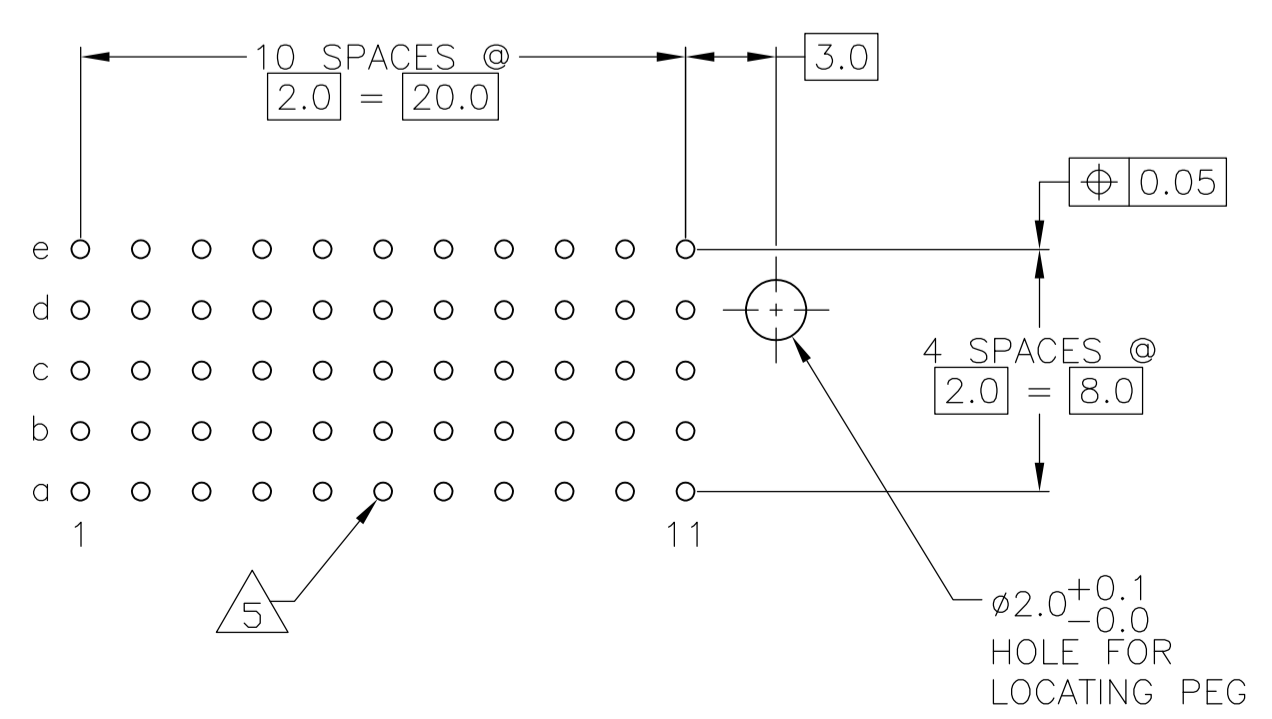
SCALE 5:1



CONTACT LAYOUT



RECOMMENDED PCB-HOLE LAYOUT COMPONENT SIDE SHOWN



PLATED THRU HOLES PARAMETERS

REFERENCE APPLICATION SPECIFICATION

- 2 CONTACT FINISH:
CONTACT AREA: 0.8µm MIN GOLD PER ASTM B488 OVER 1.3µm MIN NICKEL PER SAE-AMS-QQ-N-290.
ACTION PIN: 0.5µm MIN TIN PER ASTM B545 OVER 1.3µm MIN NICKEL PER SAE-AMS-QQ-N-290.
- 3 MATERIAL:
CONTACT: PHOSPHOR BRONZE.
HOUSING: GLASS-FILLED POLYESTER.
- 4 CONNECTOR MARKED WITH PART NUMBER AND DATE CODE. ADDITIONAL CHARACTERS OR MARKINGS, AS WELL AS THE LOCATION OF THE MARKINGS, MAY BE ADDED FOR TRACEABILITY BASED UPON MANUFACTURERS DISCRETION.
- 5 PLATED-THROUGH HOLES AT 2x2mm SQUARE GRID PATTERN DEFINED BY CONTACT LAYOUT.
- 6 FOR ACTUAL PIN LOADING SEE "CONTACT LAYOUT".
- 7 FOR ACTUAL PIN DIMENSIONS SEE "CONTACT DIMENSIONS".
- 8 TO BE MEASURED AT BOTTOM OF SHROUD.
- 9 LOCATION PEG.

2	6645262-1
FINISH	PART NUMBER

THIS DRAWING IS A CONTROLLED DOCUMENT.		DIN B CARDO 24FEB05		Tyco Electronics Corporation Harrisburg, Pa 17105-3608	
DIMENSIONS: mm		G.SKIPPER 24FEB05		NAME	
TOLERANCES UNLESS OTHERWISE SPECIFIED:		APVD G.SKIPPER 24FEB05		PRODUCT SPEC	
0-PLG ±		108-19082		APPLICATION SPEC	
1-PLG ±0.2		114-19029		RESTRICTED TO	
2-PLG ±0.02		SIZE CAGE CODE DRAWING NO		A1 00779 C=6645262	
3-PLG ±0.005		WEIGHT		CUSTOMER DRAWING	
4-PLG ±		SCALE 4:1		SHEET 1 OF 1	
ANGLES ±0.30°				REV A	