



Chipsmall Limited consists of a professional team with an average of over 10 year of expertise in the distribution of electronic components. Based in Hongkong, we have already established firm and mutual-benefit business relationships with customers from,Europe,America and south Asia,supplying obsolete and hard-to-find components to meet their specific needs.

With the principle of "Quality Parts,Customers Priority,Honest Operation,and Considerate Service",our business mainly focus on the distribution of electronic components. Line cards we deal with include Microchip,ALPS,ROHM,Xilinx,Pulse,ON,Everlight and Freescale. Main products comprise IC,Modules,Potentiometer,IC Socket,Relay,Connector.Our parts cover such applications as commercial,industrial, and automotives areas.

We are looking forward to setting up business relationship with you and hope to provide you with the best service and solution. Let us make a better world for our industry!



## Contact us

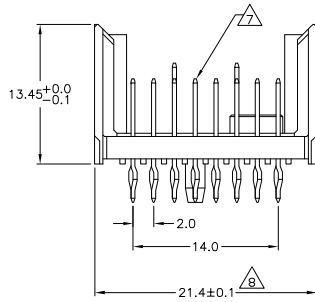
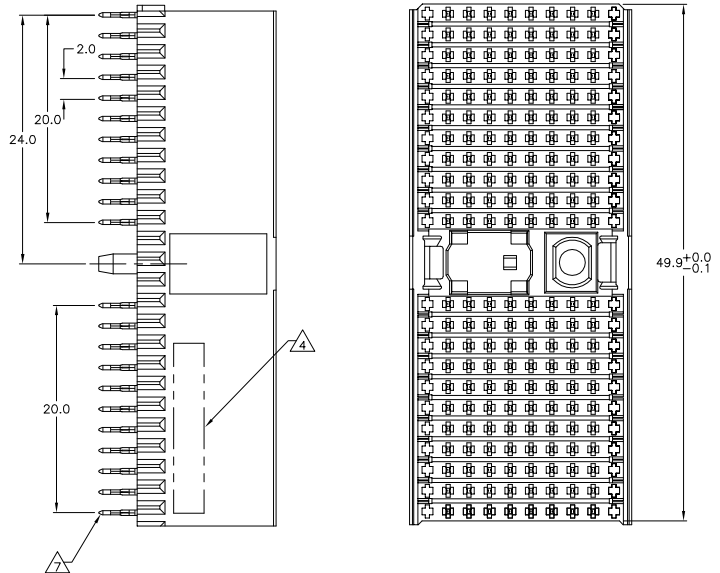
Tel: +86-755-8981 8866 Fax: +86-755-8427 6832

Email & Skype: info@chipsmall.com Web: www.chipsmall.com

Address: A1208, Overseas Decoration Building, #122 Zhenhua RD., Futian, Shenzhen, China

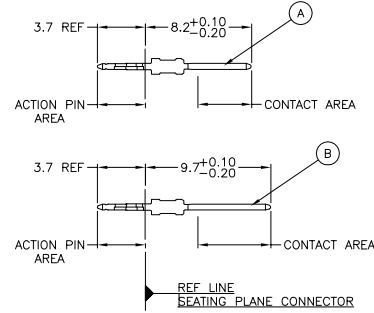


CONNECTOR ASSEMBLY  
EXAMPLARY LOADED



CONTACT DIMENSIONS

SCALE 5:1

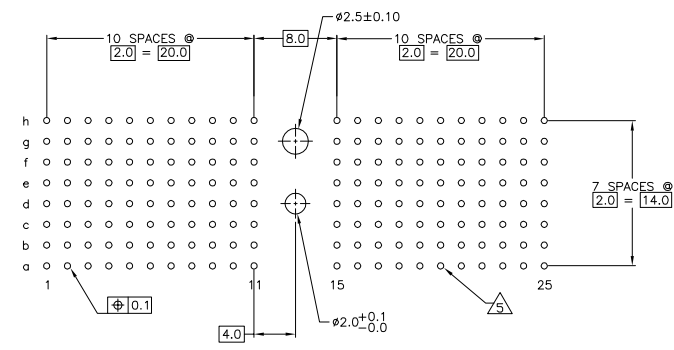


CONTACT LAYOUT

	z	a	b	c	d	e	f	g	h	i
1	A	A	A	A	A	A	A	A	A	A
2	A	A	A	A	A	A	A	A	A	A
3	A	A	A	A	A	A	A	A	A	A
4	A	A	A	A	A	A	A	A	A	A
5	A	A	A	A	A	A	A	A	A	A
6	A	A	A	A	A	A	A	A	A	A
7	A	A	A	A	A	A	A	A	A	A
8	A	A	A	A	A	A	A	A	A	A
9	A	A	A	A	A	A	A	A	A	A
10	A	A	B	A	A	B	A	A	A	A
11	A	A	B	A	A	B	A	A	A	A
MULTI PURPOSE CENTER										
15	A	A	B	A	A	B	A	A	A	A
16	A	A	B	A	A	B	A	A	A	A
17	A	A	A	A	A	A	A	A	A	A
18	A	A	A	A	A	A	A	A	A	A
19	A	A	A	A	A	A	A	A	A	A
20	A	A	A	A	A	A	A	A	A	A
21	A	A	A	A	A	A	A	A	A	A
22	A	A	A	A	A	A	A	A	A	A
23	A	A	A	A	A	A	A	A	A	A
24	A	A	A	A	A	A	A	A	A	A
25	A	A	A	A	A	A	A	A	A	A

RECOMMENDED PCB-HOLE LAYOUT  
COMPONENT SIDE SHOWN

PLATED THRU HOLES PARAMETERS  
REFERENCE APPLICATION SPECIFICATION



2	4	10	6645307-9
2	3		6645307-1
FINISH		PART NUMBER	


THIS DRAWING IS A CONTROLLED DOCUMENT.

DATE: JAN_Y1 15MAY2012	REV: 00	DESCRIPTION: MALE ASSEMBLY, Z-PACK 2mm HM, TYPE D	DATE: 20AUG2012	BY: MY	APP: AC
DESIGNER: SANDERS, YAN	APPROVED: ALEX, CAI	PRODUCT SPEC: APPLICATION SPEC	SIZE: A1	SCALE: 4:1	SHEET: 1 OF 2
QUANTITY: 100	WEIGHT: -	CUSTOMER: 00779	SCALE: 4:1	SHEET: 1 OF 2	REV: B

TE Connectivity

LOC	QTY	REVISIONS					
ES	00	P	LNK	DESCRIPTION	DATE	DRW	APPD
-	-	-	-	SEE SHEET 1	-	-	-

- 1 MATERIAL:  
CONTACT: PHOSPHOR BRONZE.  
HOUSING: GLASS-FILLED POLYESTER.
- 2 GENERAL PLATING SPECIFICATION: UNDERPLATING  
(ENTIRE CONTACT): 1.27µm MIN NICKEL AND ACTION  
PIN: 0.5µm MIN TIN.  
FOR PLATING OF MATING SURFACES SEE APPLICABLE  
SPECIFICATION REFERENCE FOR EACH DASH NUMBER.
- 3 CONFORMS TO ALL TESTING ACCORDING TO IEC 61076-4-101  
PERFORMANCE LEVEL 2.
- 4 CONNECTOR TESTED AND QUALIFIED AGAINST TELCORDIA GR-1217-CORE QUALITY LEVEL 3,  
CENTRAL OFFICE APPLICATIONS.
- 5 CONNECTOR MARKED WITH PART NUMBER AND DATE CODE.  
ADDITIONAL CHARACTERS OR MARKINGS, AS WELL AS THE LOCATION OF THE MARKINGS,  
MAY BE ADDED FOR TRACEABILITY BASED UPON MANUFACTURERS DISCRETION.
- 6 PLATED-THROUGH HOLES AT 2x2mm SQUARE GRID  
PATTERN DEFINED BY CONTACT LAYOUT.
- 7 FOR ACTUAL PIN LOADING SEE "CONTACT LAYOUT".
- 8 FOR ACTUAL PIN DIMENSIONS SEE "CONTACT DIMENSIONS".
- 9 TO BE MEASURED AT BOTTOM OF SHROUD.
- 10 CONNECTOR LUBRICATED WITH BELCORE APPROVED LUBRICANT,  
TECHNICAL REFERENCE: TR-NWT-001217 ISSUE 1, SEP 1992.

THIS DRAWING IS A CONTROLLED DOCUMENT.		REV JIAN, YI 15MAY2012	 TE Connectivity			
DIMENSIONS: mm		DRW SANDERS, YAN 15MAY2012				
TO DIMENSIONS UNLESS OTHERWISE SPECIFIED: 0-PLG → ±0.2 1-PLG → ±0.1 2-PLG → ±0.1 3-PLG → ±0.1 4-PLG → ±0.1 ANGLES → ±0.1°		APPD ALEX, CAI 15MAY2012	NAME MALE ASSEMBLY, Z-PACK 2mm HM, TYPE D			
MATERIAL SEE SHEET 1		APPLICATION SPEC -	SIZE A1	DATE CODE 00779	DRAWING NO 6645307	RESTRICTED TO -
FINISH SEE SHEET 1		WEIGHT -	CUSTOMER DRAWING	SCALE 4:1	SHEET 2	REV B