



Chipsmall Limited consists of a professional team with an average of over 10 year of expertise in the distribution of electronic components. Based in Hongkong, we have already established firm and mutual-benefit business relationships with customers from,Europe,America and south Asia,supplying obsolete and hard-to-find components to meet their specific needs.

With the principle of “Quality Parts,Customers Priority,Honest Operation,and Considerate Service”,our business mainly focus on the distribution of electronic components. Line cards we deal with include Microchip,ALPS,ROHM,Xilinx,Pulse,ON,Everlight and Freescale. Main products comprise IC,Modules,Potentiometer,IC Socket,Relay,Connector.Our parts cover such applications as commercial,industrial, and automotives areas.

We are looking forward to setting up business relationship with you and hope to provide you with the best service and solution. Let us make a better world for our industry!



## Contact us

Tel: +86-755-8981 8866 Fax: +86-755-8427 6832

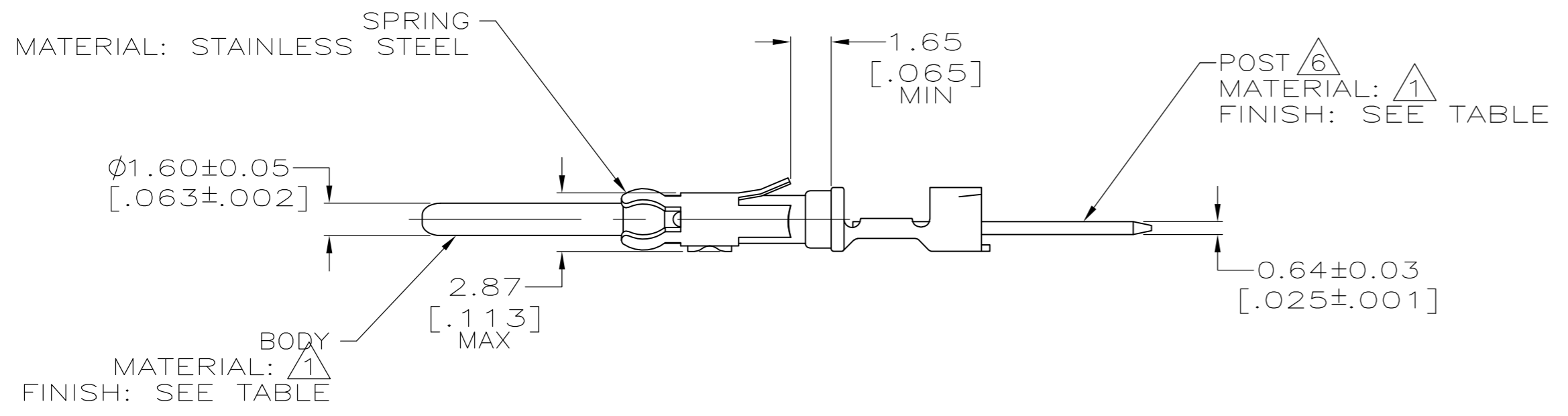
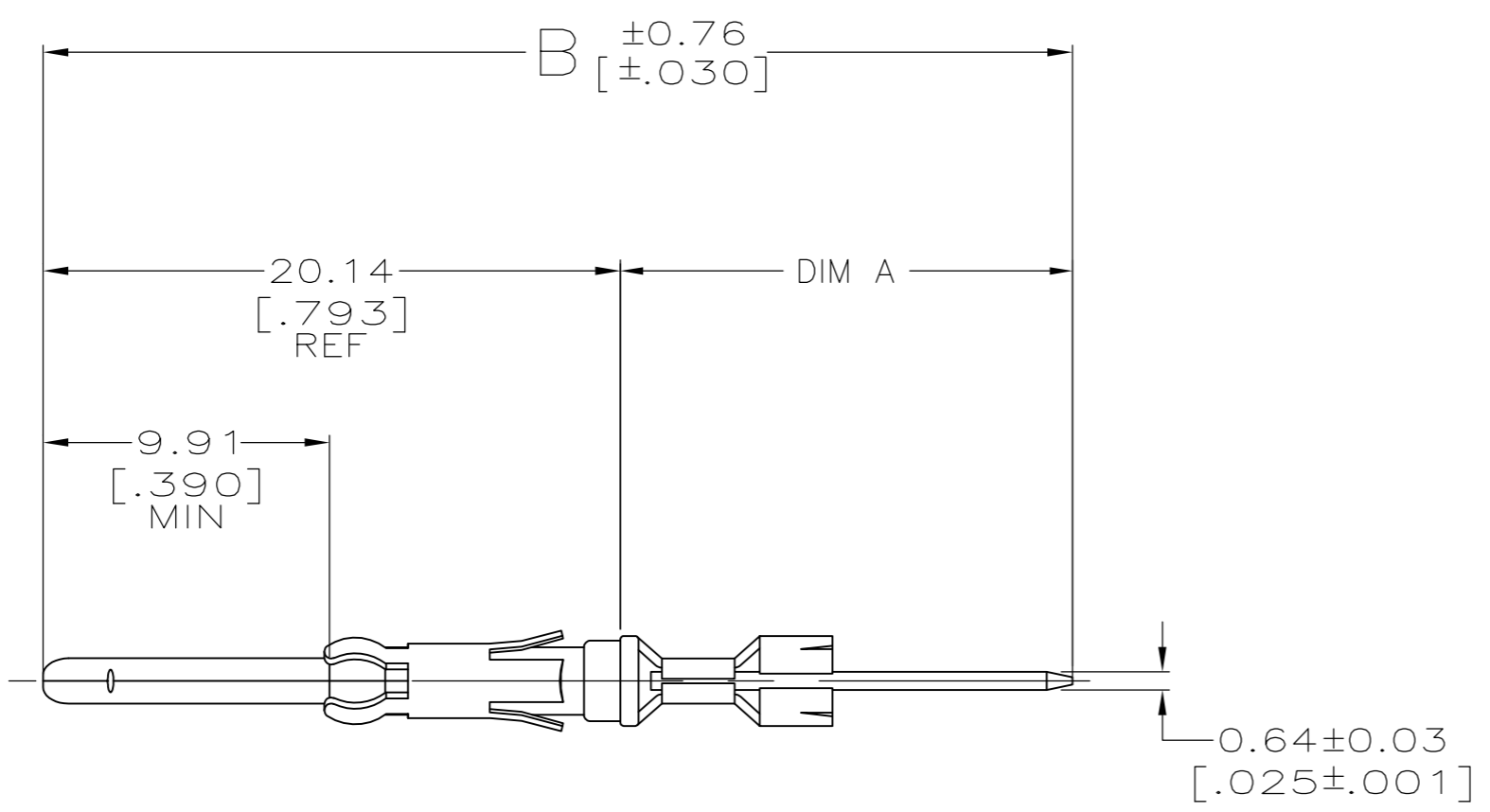
Email & Skype: info@chipsmall.com Web: www.chipsmall.com

Address: A1208, Overseas Decoration Building, #122 Zhenhua RD., Futian, Shenzhen, China



THIS DRAWING IS UNPUBLISHED. RELEASED FOR PUBLICATION  
 © COPYRIGHT - By - ALL RIGHTS RESERVED.

| LOC | DIST | REVISIONS                 |         |     |      |
|-----|------|---------------------------|---------|-----|------|
| P   | LTR  | DESCRIPTION               | DATE    | DWN | APVD |
| AS1 |      | REVISED PER ECO-11-004587 | 11MAR11 | RK  | HMR  |



- 1 BRASS PER ASTM B-36.
- 2 2.54µm [.000100] MIN TIN-LEAD OVER 1.27µm [.000050] MIN NICKEL.
- 3 0.76µm [.000030] MIN PRECIOUS METAL PLATING CONFORMS TO THE REQUIREMENTS OF TE PRODUCT SPEC 108-10042, BASED ON EIA/ECA-364-1000.01 ( CONTROLLED ENVIRONMENT APPLICATIONS ), OVER 1.27µm [.000050] MIN NICKEL.
- 4 0.76µm [.000030] MIN PRECIOUS METAL PLATE ON MATING END FOR A LENGTH OF 5.08 [.200] MIN OVER 1.27µm [.000050] MIN NICKEL PLATE. GOLD FLASH ALL OVER. CONFORMS TO THE REQUIREMENTS OF TE CONNECTIVITY PRODUCT SPEC 108-10042, BASED ON EIA/ECA-364-1000.01A ( CONTROLLED ENVIRONMENT APPLICATIONS ).
- 5 SELECTIVELY PLATED 0.51µm [.000020] MIN GOLD, FOR A DISTANCE OF 5.08 [.200] FROM MATING END, GOLD FLASH ON REMAINDER, ALL OVER 0.76µm [.000030] MIN NICKEL.
- 6 POST WILL ACCEPT (SEE TABLE) TERMINATIONS.
- 7 POST PLATING .000100 MIN TIN OVER .000050 MIN NICKEL.
- 8 .0001000 TIN OVER .000050 NICKEL.

OBSOLETE

SUPERSEDED BY 66460-8

| FINISH | BODY FINISH | NO OF TERM | B             | A             | PART NUMBER |
|--------|-------------|------------|---------------|---------------|-------------|
| 7      | 8           | 3          | 46.08 [1.814] | 25.91 [1.020] | 6-66460-6   |
| 7      | 8           | 1          | 35.97 [1.416] | 15.80 [.622]  | 6-66460-5   |
| 7      | 4           | 3          | 46.08 [1.814] | 25.91 [1.020] | 6-66460-4   |
| 7      | 4           | 2          | 41.28 [1.625] | 21.11 [.831]  | 6-66460-3   |
| 7      | 4           | 1          | 35.97 [1.416] | 15.80 [.622]  | 6-66460-2   |
| 2      | 2           | SPECIAL    | 33.40 [1.315] | 13.23 [.521]  | 6-66460-1   |
| 2      | 3           | SPECIAL    | 65.61 [2.583] | 45.44 [1.789] | 5-66460-0   |
| 2      | 3           | SPECIAL    | 57.73 [2.273] | 37.57 [1.479] | 4-66460-9   |
| 2      | 3           | SPECIAL    | 49.86 [1.963] | 29.69 [1.169] | 4-66460-8   |
| 2      | 3           | SPECIAL    | 68.60 [2.701] | 48.44 [1.907] | 3-66460-0   |
| 2      | 3           | SPECIAL    | 59.71 [2.351] | 39.55 [1.557] | 2-66460-9   |
| 2      | 3           | SPECIAL    | 50.82 [2.001] | 30.66 [1.207] | 2-66460-8   |
| 2      | 4           | 1          | 34.80 [1.370] | 14.63 [.576]  | 2-66460-1   |
| 2      | 4           | -          | 34.77 [1.369] | 14.63 [.576]  | 2-66460-0   |
| 2      | 4           | SPECIAL    | 52.78 [2.078] | 32.61 [1.284] | 1-66460-9   |
| 2      | 5           | 2          | 41.28 [1.625] | 21.11 [.831]  | 1-66460-8   |
| 2      | 4           | 2          | 41.28 [1.625] | 21.11 [.831]  | 1-66460-1   |
| 2      | 4           | SPECIAL    | 33.40 [1.315] | 13.23 [.521]  | 1-66460-0   |
| 2      | 4           | 3          | 46.08 [1.814] | 25.91 [1.020] | 66460-9     |
| 2      | 4           | 2          | 41.28 [1.625] | 21.11 [.831]  | 66460-8     |
| 2      | 4           | 1          | 35.97 [1.416] | 15.80 [.622]  | 66460-7     |
| 2      | 3           | 3          | 46.08 [1.814] | 25.91 [1.020] | 66460-6     |
| 2      | 3           | 2          | 41.28 [1.625] | 21.11 [.831]  | 66460-5     |
| 2      | 3           | 1          | 35.97 [1.416] | 15.80 [.622]  | 66460-4     |
| 2      | 2           | 3          | 46.08 [1.814] | 25.91 [1.020] | 66460-3     |
| 2      | 2           | 2          | 41.28 [1.625] | 21.11 [.831]  | 66460-2     |
| 2      | 2           | 1          | 35.97 [1.416] | 15.80 [.622]  | 66460-1     |

THIS DRAWING IS A CONTROLLED DOCUMENT.

DWN: C. REIFSNYDER 06 JUN 96  
 CHK: R. STONE 27 JUN 96  
 APVD: G.A. STEINHAUER 23 JUL 96

TE Connectivity  
 PIN CONTACT, CRIMPED, .062, .025 X .025 POSST, M SERIES

SIZE: A2 CAGE CODE: 00779 DRAWING NO: 66460  
 WEIGHT: - SCALE: 4:1 SHEET: 1 OF 2 REV: AS1

MATERIAL: SEE CALLOUTS FINISH: SEE CALLOUTS  
 DIMENSIONS: MM [ INCHES ] TOLERANCES UNLESS OTHERWISE SPECIFIED:  
 0 PLC ± -  
 1 PLC ± -  
 2 PLC ± 0.25 [.010]  
 3 PLC ± -  
 4 PLC ± -  
 ANGLES ± -

THIS DRAWING IS UNPUBLISHED.      RELEASED FOR PUBLICATION  
 © COPYRIGHT - By -      ALL RIGHTS RESERVED.

| LOC |     | DIST        |      | REVISIONS |      |  |  |
|-----|-----|-------------|------|-----------|------|--|--|
| P   | LTR | DESCRIPTION | DATE | DWN       | APVD |  |  |
|     |     | SEE SHEET 1 |      |           |      |  |  |

|             |             |             |                  |                 |             |
|-------------|-------------|-------------|------------------|-----------------|-------------|
|             |             | SPECIAL     | 33.40<br>[1.315] | 13.23<br>[.521] | 6-66460-8   |
|             |             | 2           | 41.28<br>[1.625] | 21.11<br>[.831] | 6-66460-7   |
| POST FINISH | BODY FINISH | NO. OF TERM | B                | A               | PART NUMBER |

|   |  |                                     |   |                    |                       |
|---|--|-------------------------------------|---|--------------------|-----------------------|
| THIS DRAWING IS A CONTROLLED DOCUMENT.  |  | DWN<br>C.REIFSNYDER<br>06 JUN 96    | <b>STE</b> TE Connectivity  |                    |                       |
| DIMENSIONS:<br>INCHES   |  | CHK<br>R.STONE<br>27 JUN 96         |   |                    |                       |
| TOLERANCES UNLESS OTHERWISE SPECIFIED:  |  | APVD<br>G.A.STEINHAUER<br>23 JUL 96 | NAME<br>PIN CONTACT, CRIMPED,<br>.062, .025 X .025 POSST,<br>M SERIES |                    |                       |
| <br>0 PLC ± -<br>1 PLC ± -<br>2 PLC ± 0.25 [.010]<br>3 PLC ± -<br>4 PLC ± -<br>ANGLES ± - |  | PRODUCT SPEC<br>-                   | SIZE<br>A2  | CAGE CODE<br>00779 | DRAWING NO<br>C-66460 |
| MATERIAL<br>SEE CALLOUTS  |  | FINISH<br>SEE CALLOUTS              | WEIGHT<br>-   | SCALE<br>4:1       | SHEET<br>2 of 2       |
| CUSTOMER DRAWING  |  |                                     | RESTRICTED TO<br>-  | REV<br>AS1         |                       |

66460