



Chipsmall Limited consists of a professional team with an average of over 10 year of expertise in the distribution of electronic components. Based in Hongkong, we have already established firm and mutual-benefit business relationships with customers from,Europe,America and south Asia,supplying obsolete and hard-to-find components to meet their specific needs.

With the principle of "Quality Parts,Customers Priority,Honest Operation,and Considerate Service",our business mainly focus on the distribution of electronic components. Line cards we deal with include Microchip,ALPS,ROHM,Xilinx,Pulse,ON,Everlight and Freescale. Main products comprise IC,Modules,Potentiometer,IC Socket,Relay,Connector.Our parts cover such applications as commercial,industrial, and automotives areas.

We are looking forward to setting up business relationship with you and hope to provide you with the best service and solution. Let us make a better world for our industry!



Contact us

Tel: +86-755-8981 8866 Fax: +86-755-8427 6832

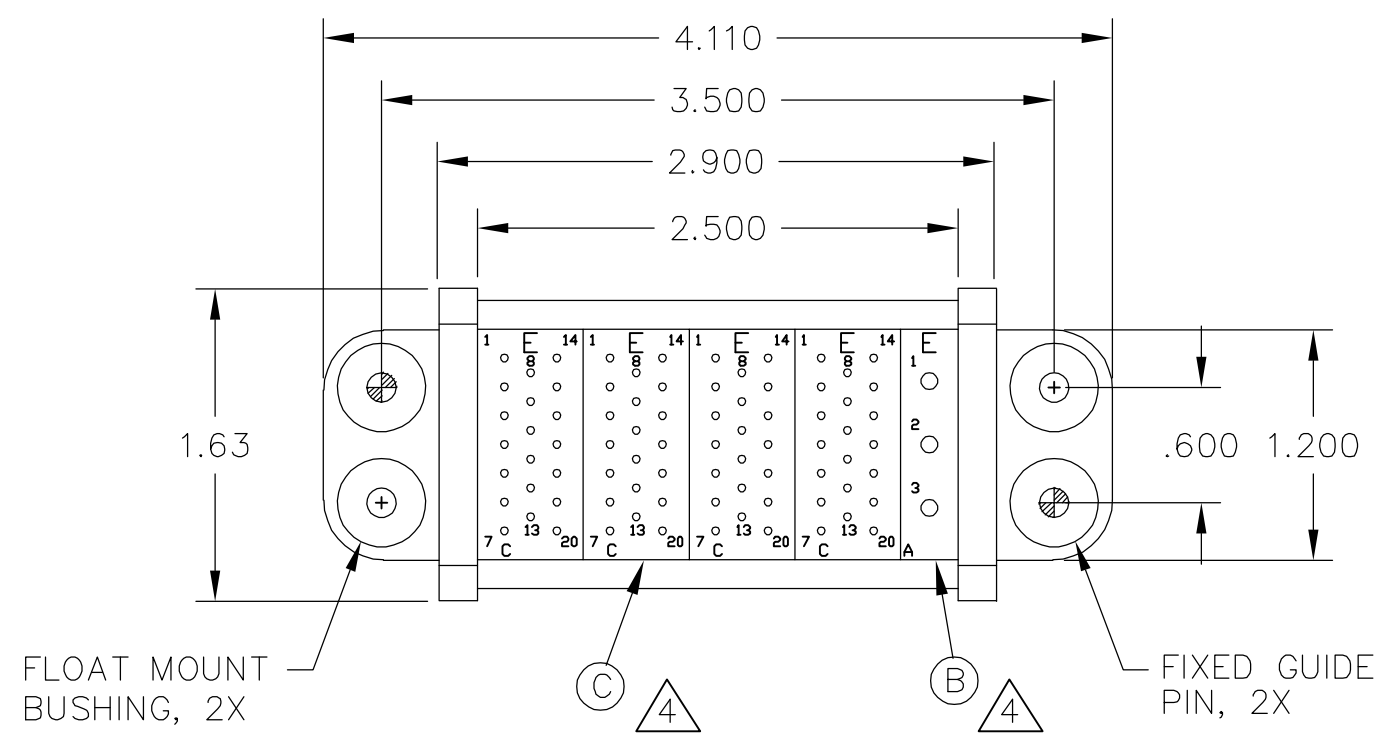
Email & Skype: info@chipsmall.com Web: www.chipsmall.com

Address: A1208, Overseas Decoration Building, #122 Zhenhua RD., Futian, Shenzhen, China



THIS DRAWING IS UNPUBLISHED. RELEASED FOR PUBLICATION
 © COPYRIGHT - BY TYCO ELECTRONICS CORPORATION. ALL RIGHTS RESERVED.

LOC	DIST	REVISIONS					
GP	00	P	LTR	DESCRIPTION	DATE	DWN	APVD
			A	NEW RELEASE	12APR07	RG	DO



1. PART NUMBER CHANGES AND/OR DESIGN CHANGES AFFECTING ITEM INTERCHANGEABILITY REQUIRE PRIOR TYCO APPROVAL AND AUTHORIZATION BY REVISION TO THIS DRAWING.

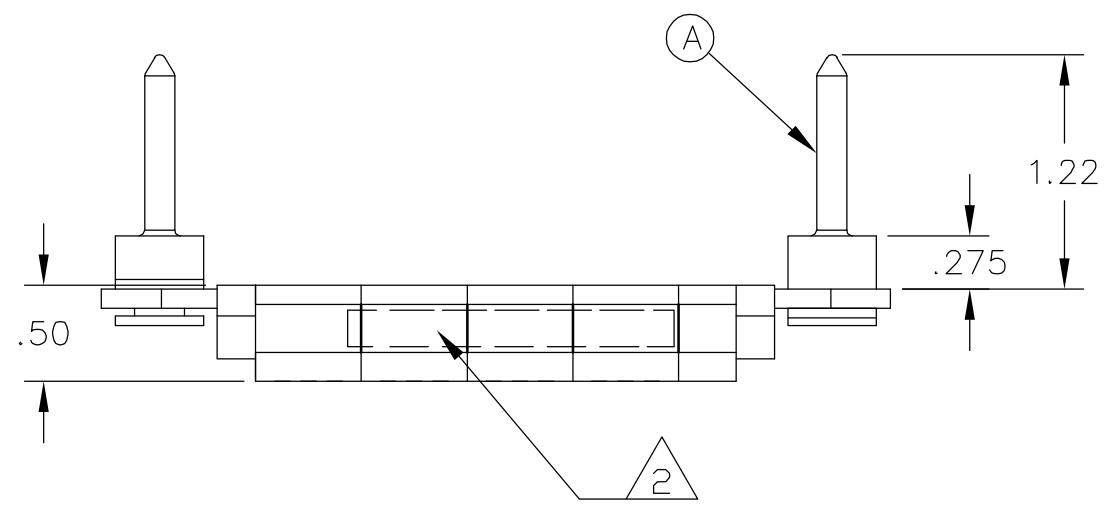
2. ITEMS PROVIDED TO THIS SPECIFICATION TO BE PERMANENTLY IDENTIFIED PER THE FOLLOWING IDENTIFIER:

TYCO PART NUMBER DATE CODE (e.g. 0212)
 XXXXXXXX-X XXXX

YEAR WEEK

3. MOUNTING FLANGE BUSHINGS ACCEPT 6/32 SCREW (.156 DIA. CLEARANCE HOLE, FLOAT MOUNT) OR 8/32 SCREW (.173 DIA. CLEARANCE HOLE, FLOAT MOUNT), USER SUPPLIED.

4. PIN CONTACTS REQUIRED TO COMPLETE THE ASSEMBLY WILL BE PURCHASED SEPARATELY.

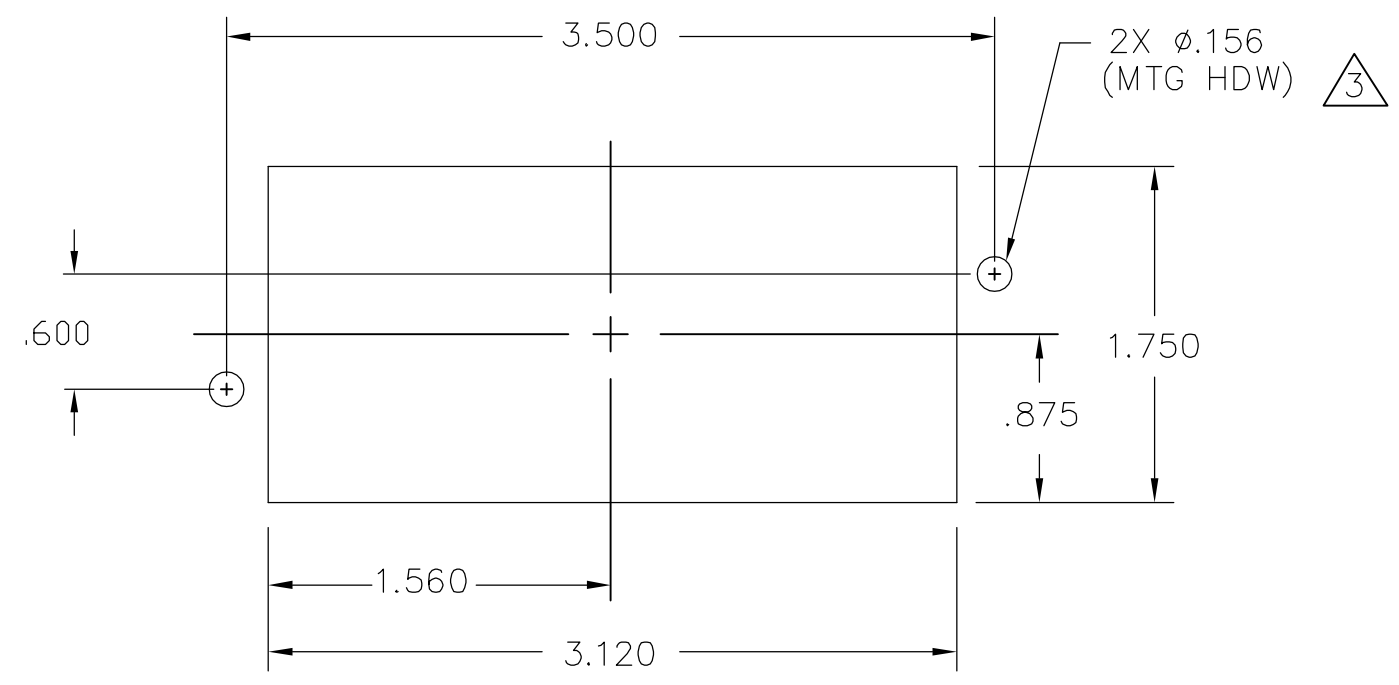


4	1648463-1	MODULE C	C
1	1648461-1	MODULE A	B
2	6648251-1	END CAP, GUIDE PIN, FLOAT	A
-1	PART NUMBER	DESCRIPTION	ITEM

THIS DRAWING IS A CONTROLLED DOCUMENT.		DWN R.GRZYBOWSKI 12APR2007	Tyco Electronics Corporation Harrisburg, PA 17105-3608	
DIMENSIONS: INCHES		CHK D.ORRIS 12APR07	NAME S.FLICKINGER 12APR07	
TOLERANCES UNLESS OTHERWISE SPECIFIED:		PRODUCT SPEC	PIN CONNECTOR DOMINO W/ PANEL CUT-OUT	
0 PLC ± -		APPLICATION SPEC	SIZE	CAGE CODE
1 PLC ± -			A3	00779
2 PLC ± .02			DRAWING NO	RESTRICTED TO
3 PLC ± .010			C-6646117	-
4 PLC ± -		WEIGHT	SCALE 1:1	
ANGLES ± -			SHEET 1 OF 2	REV A
FINISH		CUSTOMER DRAWING		

THIS DRAWING IS UNPUBLISHED. RELEASED FOR PUBLICATION
 © COPYRIGHT - BY TYCO ELECTRONICS CORPORATION. ALL RIGHTS RESERVED.

LOC	DIST	REVISIONS			
P	LTR	DESCRIPTION	DATE	DWN	APVD
GP	00	SEE SHEET 1	-	-	-



PIN PANEL MOUNT CUTOUT
 SCALE: NONE

THIS DRAWING IS A CONTROLLED DOCUMENT.		DWN R.GRZYBOWSKI 12APR2007	Tyco Electronics Corporation Harrisburg, PA 17105-3608		
DIMENSIONS: INCHES		CHK D.ORRIS 12APR07	NAME		
		APVD S.FLICKINGER 12APR07	PIN CONNECTOR DOMINO W/ PANEL CUT-OUT		
TOLERANCES UNLESS OTHERWISE SPECIFIED:		PRODUCT SPEC	SIZE	CAGE CODE	DRAWING NO
0 PLC	± -	---	A3	00779	C-6646117
1 PLC	± -	---	RESTRICTED TO		
2 PLC	± .02	---	---		
3 PLC	± .010	---	---		
4 PLC	± -	---	---		
ANGLES	± -	---	---		
MATERIAL	FINISH	WEIGHT	---		
---	---	---	---		
CUSTOMER DRAWING			SCALE	SHEET	REV
---			1:1	2 OF 2	A