



Chipsmall Limited consists of a professional team with an average of over 10 year of expertise in the distribution of electronic components. Based in Hongkong, we have already established firm and mutual-benefit business relationships with customers from,Europe,America and south Asia,supplying obsolete and hard-to-find components to meet their specific needs.

With the principle of “Quality Parts,Customers Priority,Honest Operation,and Considerate Service”,our business mainly focus on the distribution of electronic components. Line cards we deal with include Microchip,ALPS,ROHM,Xilinx,Pulse,ON,Everlight and Freescale. Main products comprise IC,Modules,Potentiometer,IC Socket,Relay,Connector.Our parts cover such applications as commercial,industrial, and automotives areas.

We are looking forward to setting up business relationship with you and hope to provide you with the best service and solution. Let us make a better world for our industry!



## Contact us

Tel: +86-755-8981 8866 Fax: +86-755-8427 6832

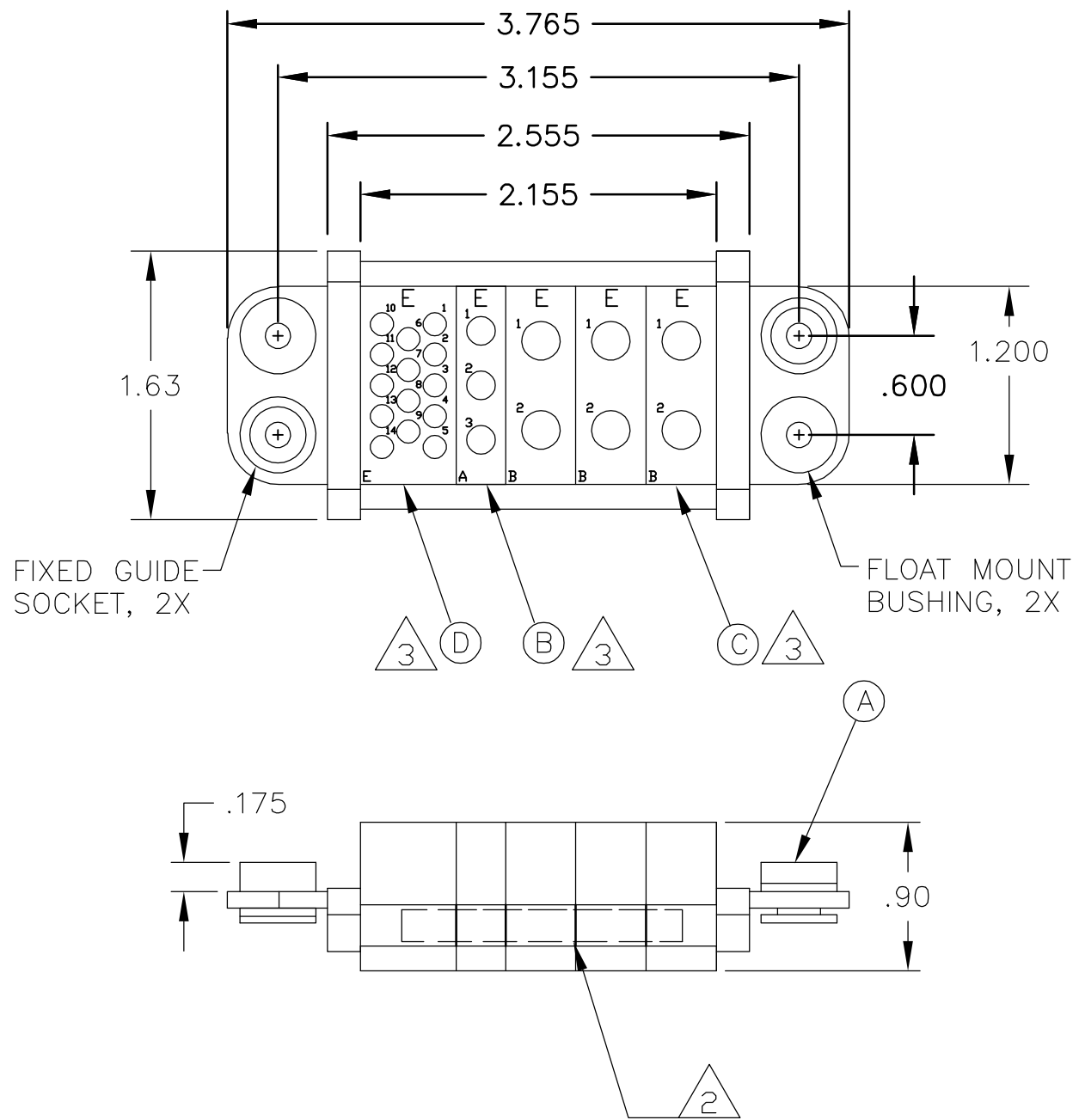
Email & Skype: info@chipsmall.com Web: www.chipsmall.com

Address: A1208, Overseas Decoration Building, #122 Zhenhua RD., Futian, Shenzhen, China



THIS DRAWING IS UNPUBLISHED. RELEASED FOR PUBLICATION  
 © COPYRIGHT - BY TYCO ELECTRONICS CORPORATION. ALL RIGHTS RESERVED.

LOC	DIST	REVISIONS					
GP	00	P	LTR	DESCRIPTION	DATE	DWN	APVD
		A		NEW RELEASE	8MAR07	RG	DO



1. PART NUMBER CHANGES AND/OR DESIGN CHANGES AFFECTING ITEM INTERCHANGEABILITY REQUIRE PRIOR TYCO APPROVAL AND AUTHORIZATION BY REVISION TO THIS DRAWING.

2. ITEMS PROVIDED TO THIS SPECIFICATION TO BE PERMANENTLY IDENTIFIED PER THE FOLLOWING IDENTIFIER:

YEAR    WEEK     
 TYCO PART NUMBER DATE CODE (e.g. 0212)  
 XXXXXXXX-X XXXXX

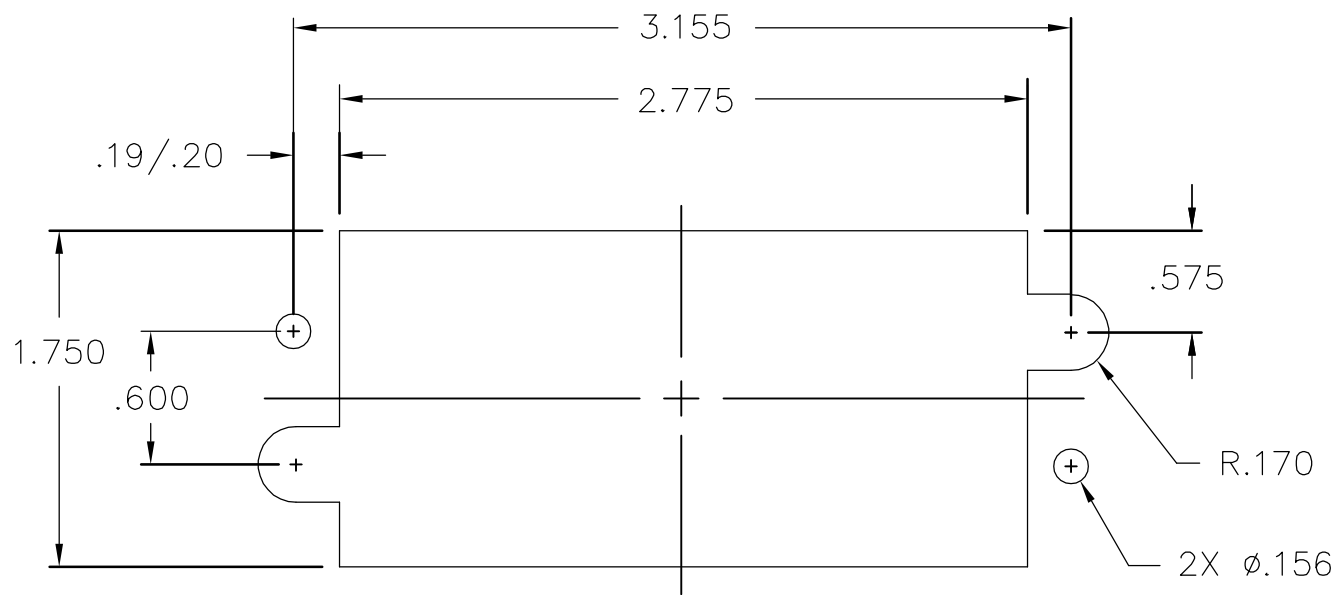
3. MODULES NOTED ARE CRIMP REMOVABLE STYLE. THIS ASSEMBLY DOES NOT INCLUDE SOCKET CONTACTS. PROPER CONTACT ORDERING AND SELECTION SHALL BE THE RESPONSIBILITY OF THE CUSTOMER.

1	1648470-1	MODULE E	D
3	1648467-1	MODULE B	C
1	1648466-1	MODULE A	B
2	6648252-1	END CAP, GUIDE SOCKET, FLOAT	A
-1	PART NUMBER	DESCRIPTION	ITEM

THIS DRAWING IS A CONTROLLED DOCUMENT.		DWN R.GRZYBOWSKI 08MAR2007	Tyco Electronics Corporation Harrisburg, PA 17105-3608	
DIMENSIONS: INCHES		CHK D.ORRIS 8FEB07	NAME S.FLICKINGER 8FEB07	
TOLERANCES UNLESS OTHERWISE SPECIFIED:		PRODUCT SPEC	SOCKET CONNECTOR DOMINO W/ PANEL CUT-OUT	
0 PLC ± -		APPLICATION SPEC	SIZE	CAGE CODE
1 PLC ± -		WEIGHT	A3	00779
2 PLC ± .02		DRAWING NO		RESTRICTED TO
3 PLC ± .010		C-6646122		-
4 PLC ± -		CUSTOMER DRAWING		
ANGLES ± 5		SCALE	1:1	SHEET
FINISH		1 OF 2		REV
-		A		

THIS DRAWING IS UNPUBLISHED. RELEASED FOR PUBLICATION  
 © COPYRIGHT - BY TYCO ELECTRONICS CORPORATION. ALL RIGHTS RESERVED.

LOC	DIST	REVISIONS					
GP	00	P	LTR	DESCRIPTION	DATE	DWN	APVD
		-		SEE SHEET 1	-	-	-



SOCKET PANEL MOUNT CUTOUT  
 SCALE: NONE

THIS DRAWING IS A CONTROLLED DOCUMENT.		DWN R.GRZYBOWSKI 08MAR2007	Tyco Electronics Corporation Harrisburg, PA 17105-3608	
DIMENSIONS: INCHES	TOLERANCES UNLESS OTHERWISE SPECIFIED:	CHK D.ORRIS 8FEB07	NAME	
	0 PLC ± -	APVD S.FLICKINGER 8FEB07	SOCKET CONNECTOR DOMINO W/ PANEL CUT-OUT	
	1 PLC ± -	PRODUCT SPEC	SIZE	CAGE CODE
	2 PLC ± .02	APPLICATION SPEC	DRAWING NO	RESTRICTED TO
	3 PLC ± .010		A3	00779
	4 PLC ± -	WEIGHT	C=6646122	
	ANGLES ± 5		SCALE	SHEET
MATERIAL	FINISH	CUSTOMER DRAWING		1:1
-	-			2 OF 2
				REV A