



Chipsmall Limited consists of a professional team with an average of over 10 year of expertise in the distribution of electronic components. Based in Hongkong, we have already established firm and mutual-benefit business relationships with customers from,Europe,America and south Asia,supplying obsolete and hard-to-find components to meet their specific needs.

With the principle of “Quality Parts,Customers Priority,Honest Operation,and Considerate Service”,our business mainly focus on the distribution of electronic components. Line cards we deal with include Microchip,ALPS,ROHM,Xilinx,Pulse,ON,Everlight and Freescale. Main products comprise IC,Modules,Potentiometer,IC Socket,Relay,Connector.Our parts cover such applications as commercial,industrial, and automotives areas.

We are looking forward to setting up business relationship with you and hope to provide you with the best service and solution. Let us make a better world for our industry!



## Contact us

Tel: +86-755-8981 8866 Fax: +86-755-8427 6832

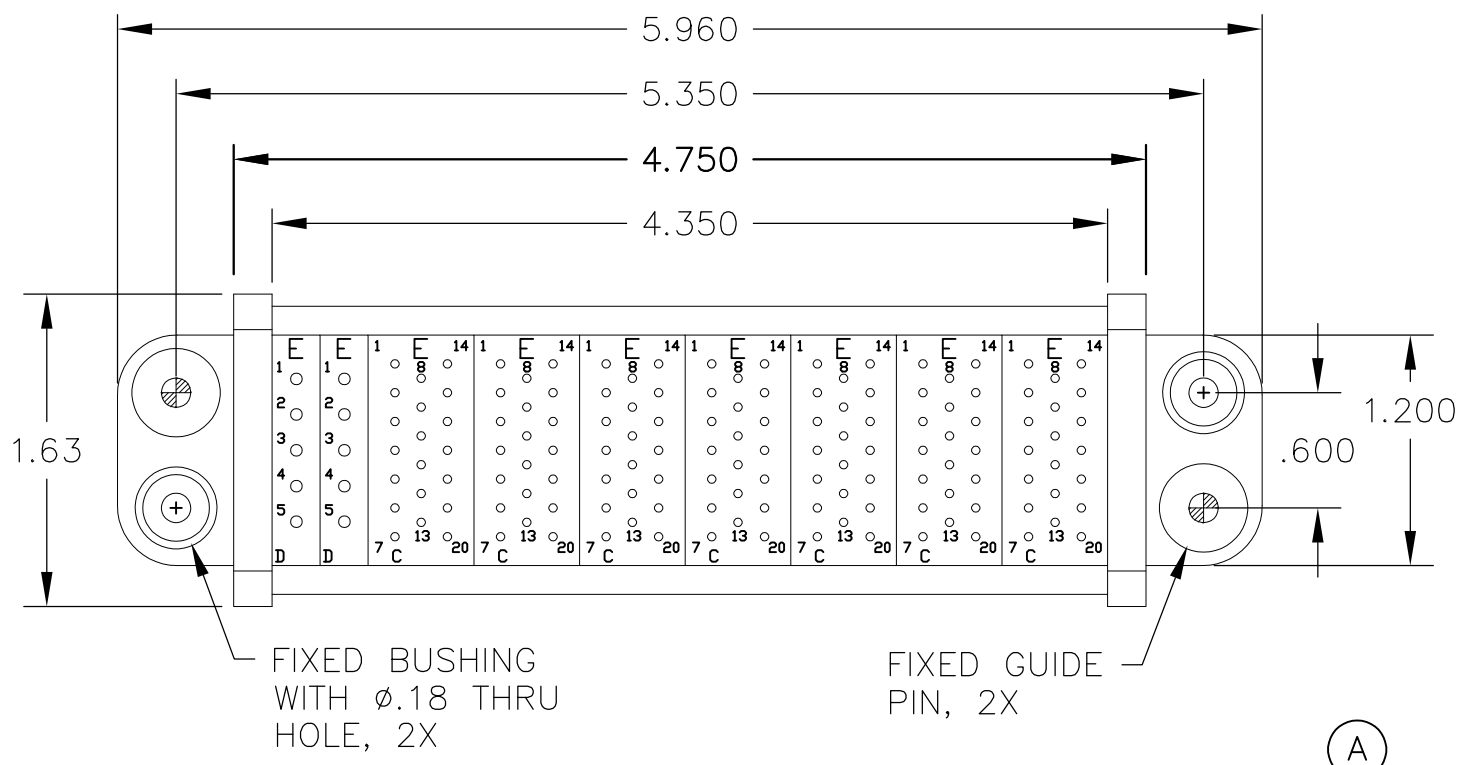
Email & Skype: info@chipsmall.com Web: www.chipsmall.com

Address: A1208, Overseas Decoration Building, #122 Zhenhua RD., Futian, Shenzhen, China



THIS DRAWING IS UNPUBLISHED. RELEASED FOR PUBLICATION  
 © COPYRIGHT BY TYCO ELECTRONICS CORPORATION. ALL RIGHTS RESERVED.

LOC	DIST	REVISIONS					
GP	00	P	LTR	DESCRIPTION	DATE	DWN	APVD
			A	NEW RELEASE	25APR07	RG	DO



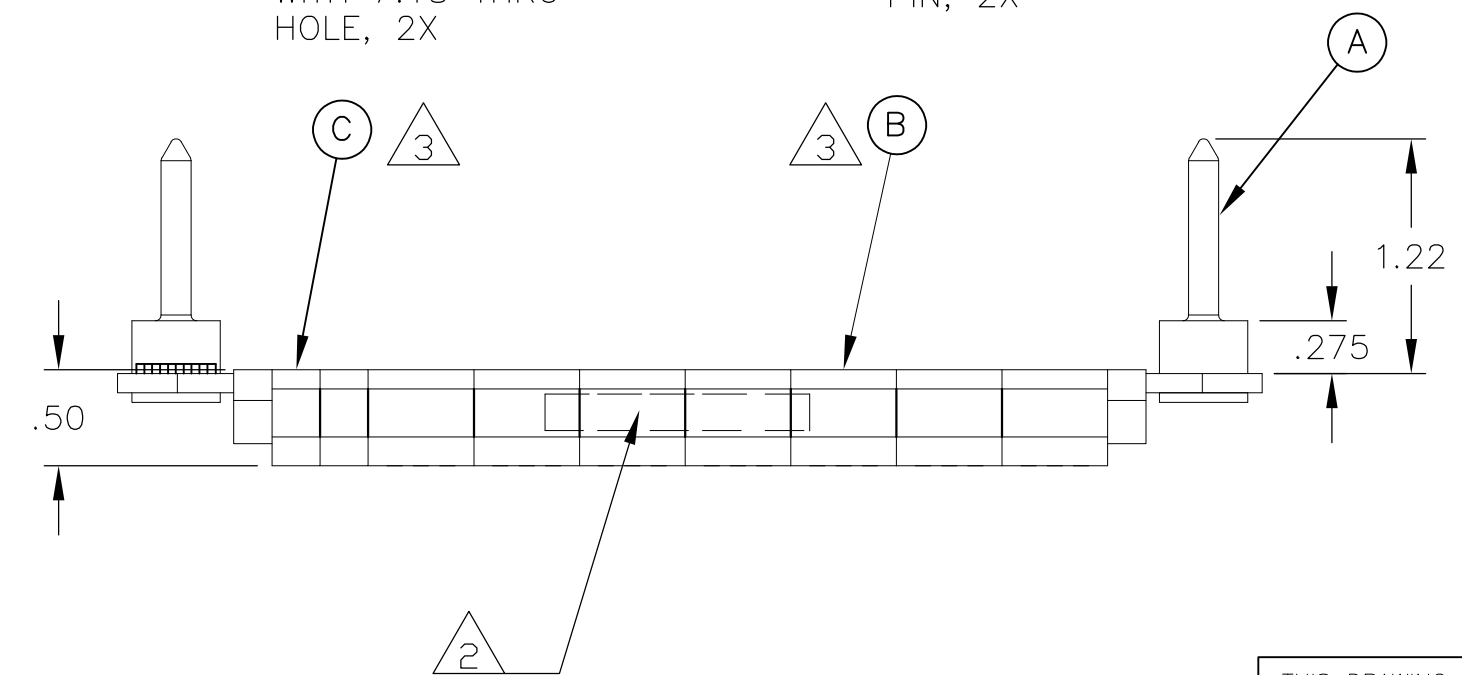
1. PART NUMBER CHANGES AND/OR DESIGN CHANGES AFFECTING ITEM INTERCHANGEABILITY REQUIRE PRIOR TYCO APPROVAL AND AUTHORIZATION BY REVISION TO THIS DRAWING.

2 ITEMS PROVIDED TO THIS SPECIFICATION TO BE PERMANENTLY IDENTIFIED PER THE FOLLOWING IDENTIFIER:

YEAR WEEK  
 TYCO PART NUMBER DATE CODE (e.g. 0212)  
 XXXXXXXX-X XXXX

3 MODULES NOTED ARE CRIMP REMOVABLE STYLE CONTACTS. THIS ASSEMBLY DOES NOT INCLUDE PIN CONTACTS. PROPER CONTACT ORDERING AND SELECTION SHALL BE THE RESPONSIBILITY OF THE CUSTOMER.

4 MOUNTING FLANGES BUSHING ACCEPT 6/32 SCREW ( $\phi$ .156 CLEARANCE HOLE, FLOAT MOUNT) OR 8/32 SCREW ( $\phi$ .173 CLEARANCE HOLE, FIXED MOUNT), USER SUPPLIED.



2	1648464-1	MODULE D	C
7	1648463-1	MODULE C	B
2	6648259-1	END CAP, GUIDE PIN, FLOAT	A
-1	PART NUMBER	DESCRIPTION	ITEM

THIS DRAWING IS A CONTROLLED DOCUMENT.		DWN R.GRZYBOWSKI 25APR2007	Tyco Electronics Corporation Harrisburg, PA 17105-3608	
DIMENSIONS: INCHES		CHK D.ORRIS 25APR07	NAME PIN CONNECTOR DOMINO W/ PANEL CUT-OUT	
TOLERANCES UNLESS OTHERWISE SPECIFIED:		APVD S.FLICKINGER 25APR07	PRODUCT SPEC -	
0 PLC $\pm$ -		APPLICATION SPEC -		
1 PLC $\pm$ -		SIZE A3		
2 PLC $\pm$ .02		CAGE CODE 00779		
3 PLC $\pm$ .010		DRAWING NO G-6646123		
4 PLC $\pm$ -		RESTRICTED TO -		
ANGLES $\pm$ -		WEIGHT -		
MATERIAL -		FINISH -		
		CUSTOMER DRAWING		
		SCALE 1:1		SHEET 1 OF 2
				REV A

4

3

2

1

THIS DRAWING IS UNPUBLISHED.

RELEASED FOR PUBLICATION

- . - .

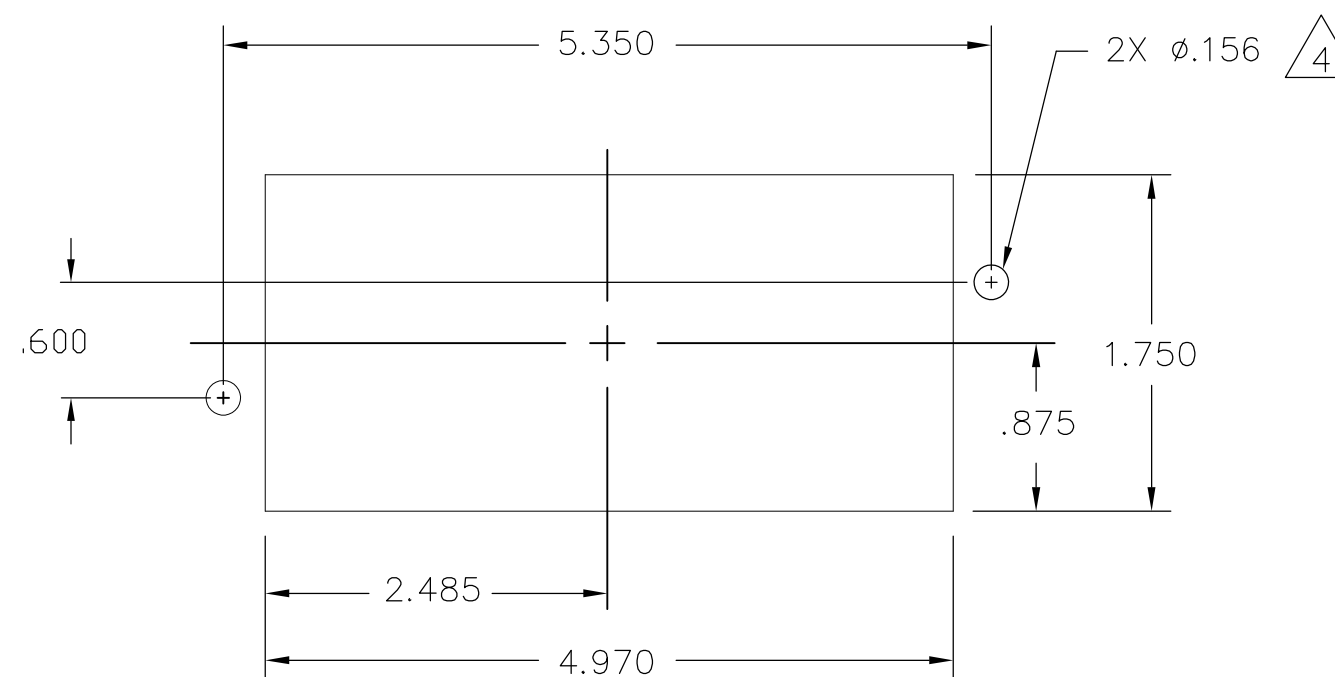
© COPYRIGHT - BY TYCO ELECTRONICS CORPORATION.

ALL RIGHTS RESERVED.

LOC  
GPDIST  
00

REVISIONS

P	LTR	DESCRIPTION	DATE	DWN	APVD
-	-	SEE SHEET 1	-	-	-



PIN PANEL MOUNT CUTOUT

SCALE: NONE

THIS DRAWING IS A CONTROLLED DOCUMENT.

DWN 25APR2007

R.GRZYBOWSKI

CHK 25APR07

D.ORRIS

APVD 25APR07

S.FLICKINGER

PRODUCT SPEC

-

APPLICATION SPEC

-

WEIGHT

-

CUSTOMER DRAWING



Tyco Electronics Corporation

Harrisburg, PA 17105-3608

NAME

PIN CONNECTOR

DOMINO

W/ PANEL CUT-OUT

SIZE

A3

CAGE CODE

00779

DRAWING NO

G-6646123

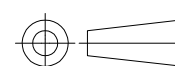
RESTRICTED TO

-

SCALE 1:1

SHEET 2 OF 2

REV A

DIMENSIONS:  
INCHESTOLERANCES UNLESS  
OTHERWISE SPECIFIED:

0 PLC	± -
1 PLC	± -
2 PLC	± .02
3 PLC	± .010
4 PLC	± -
ANGLES	± -

MATERIAL

-

FINISH

-