



Chipsmall Limited consists of a professional team with an average of over 10 year of expertise in the distribution of electronic components. Based in Hongkong, we have already established firm and mutual-benefit business relationships with customers from,Europe,America and south Asia,supplying obsolete and hard-to-find components to meet their specific needs.

With the principle of "Quality Parts,Customers Priority,Honest Operation,and Considerate Service",our business mainly focus on the distribution of electronic components. Line cards we deal with include Microchip,ALPS,ROHM,Xilinx,Pulse,ON,Everlight and Freescale. Main products comprise IC,Modules,Potentiometer,IC Socket,Relay,Connector.Our parts cover such applications as commercial,industrial, and automotives areas.

We are looking forward to setting up business relationship with you and hope to provide you with the best service and solution. Let us make a better world for our industry!



Contact us

Tel: +86-755-8981 8866 Fax: +86-755-8427 6832

Email & Skype: info@chipsmall.com Web: www.chipsmall.com

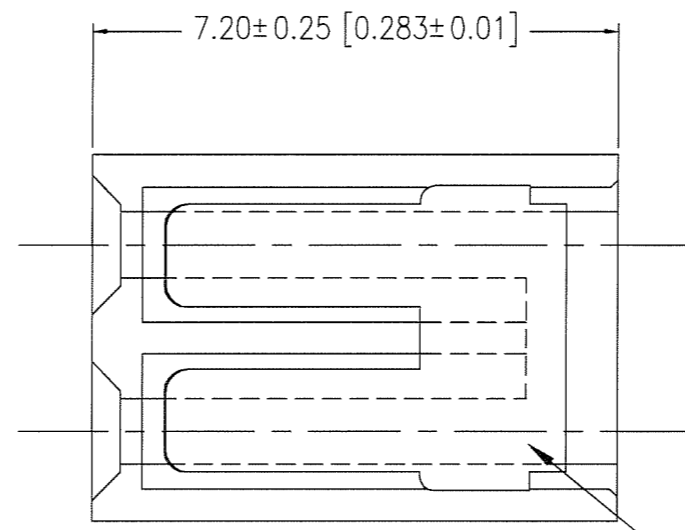
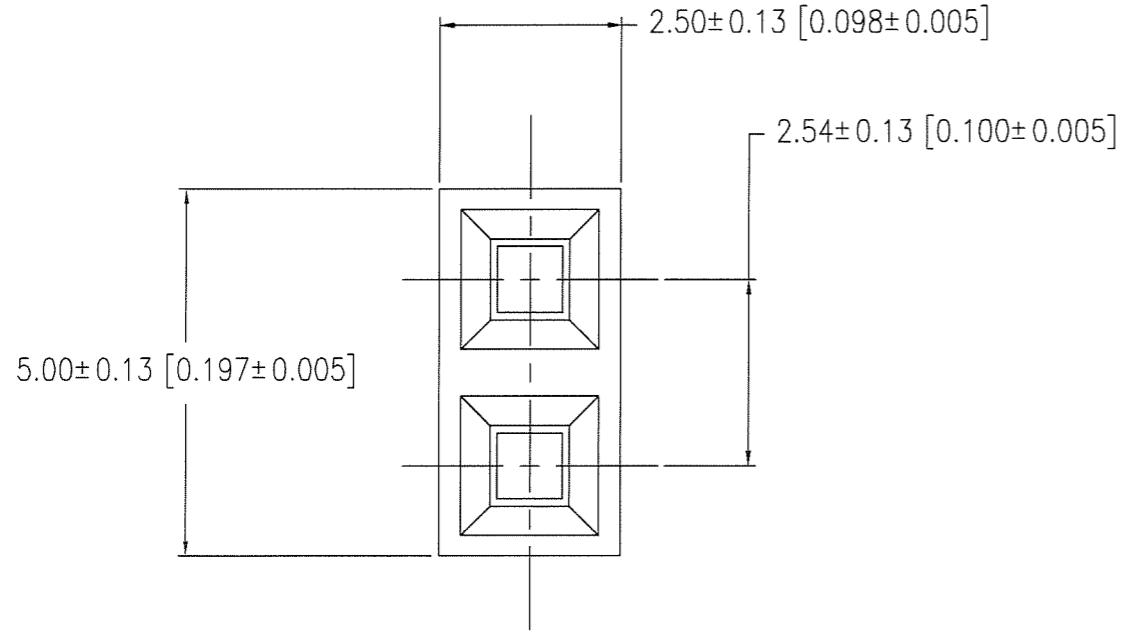
Address: A1208, Overseas Decoration Building, #122 Zhenhua RD., Futian, Shenzhen, China



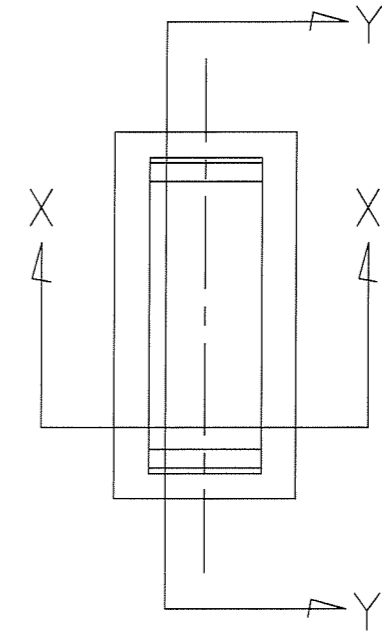
PRODUCT NO.

66464-102

FCI CONFIDENTIAL



SECTION Y - Y



SECTION X - X

③ CONTACT

② HOUSING

NOTE

1 HEADER :
 PIN SIZE 0.64±0.025 [.025±.001], SQUAER PIN
 PIN LENGTH 5.84±0.51 [.230±.020]

② HOUSING :
 MAT'L 15% GLASS FILLED PBT(UL94-V0)
 COLOR BLACK

③ CONTACT :
 MAT'L t=0.2[.0079] PHOSPHOR BRONZE
 PLATING
 CONTACT Au 0.5um min. [19u" min.]
 OVER Ni 1.27um min. [50u" min.]
 OTHER Ni 1.27um min. [50u" min.]

mat'l. code				surface ISO 1302	tolerance ISO 406 ISO 1101	projection mm[inch]	product family 5NEF - SHUNTS	CODE JP	
ltr	description	ecn no	dr	date	tolerances unless otherwise specified		title		
C	REVISED	J8334	F.K	1986-8-21	angles	0.X	2POS. MINI JUMP CONN.		
D	REVISED	J10-0128	S.W	2010-5-19	linear	0.XX	scale 10:1		
					0'±X'	0.XXX			
			dr	S. [Signature]	2010-5-19			dwg no	
			enr	S. [Signature]	2010-5-19			sheet 1 of 1	size
			chr	H. YAMASITA	2010-5-19			66464	A3
			app	[Signature]	2010-5-19			type Product Customer Drawing	
sheet index	revision sheet	D	1					Rev. D	



FCIconnect.com

Copyright FCI