



Chipsmall Limited consists of a professional team with an average of over 10 year of expertise in the distribution of electronic components. Based in Hongkong, we have already established firm and mutual-benefit business relationships with customers from,Europe,America and south Asia,supplying obsolete and hard-to-find components to meet their specific needs.

With the principle of "Quality Parts,Customers Priority,Honest Operation,and Considerate Service",our business mainly focus on the distribution of electronic components. Line cards we deal with include Microchip,ALPS,ROHM,Xilinx,Pulse,ON,Everlight and Freescale. Main products comprise IC,Modules,Potentiometer,IC Socket,Relay,Connector.Our parts cover such applications as commercial,industrial, and automotives areas.

We are looking forward to setting up business relationship with you and hope to provide you with the best service and solution. Let us make a better world for our industry!



Contact us

Tel: +86-755-8981 8866 Fax: +86-755-8427 6832

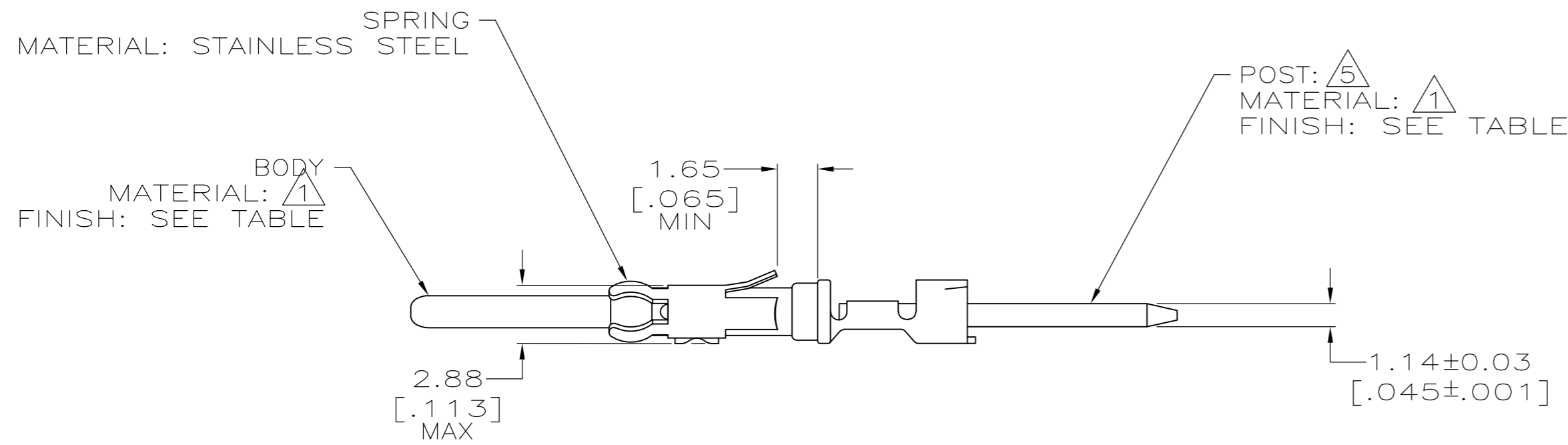
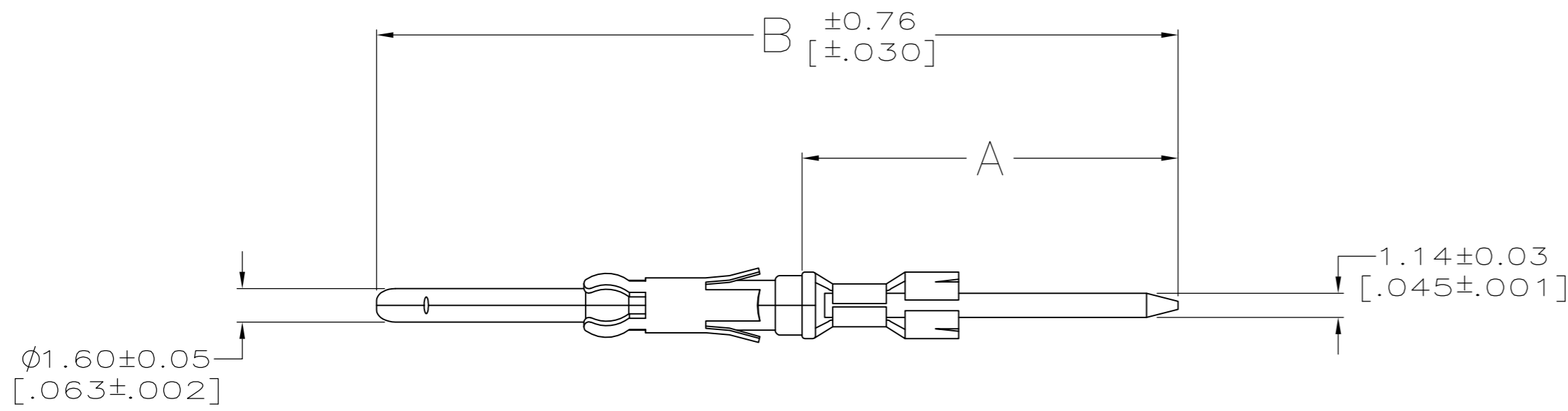
Email & Skype: info@chipsmall.com Web: www.chipsmall.com

Address: A1208, Overseas Decoration Building, #122 Zhenhua RD., Futian, Shenzhen, China



THIS DRAWING IS UNPUBLISHED. RELEASED FOR PUBLICATION
 © COPYRIGHT BY TYCO ELECTRONICS CORPORATION. ALL RIGHTS RESERVED.

LOC	DIST	REVISIONS					
FT	0	P	LTR	DESCRIPTION	DATE	DWN	APVD
		V		REVISE PER ECN 0G3B-1137-04	12/15/04	SS	GS
		V1		REVISED PER ECO-09-020689	28AUG09	KK	AEG



- ① BRASS PER ASTM B-36.
- ② 2.54um[.000100] MIN TIN-LEAD OVER 1.27um[.000050] MIN NICKEL.
- ③ SELECTIVELY PLATED 0.76um[.000030] MIN GOLD, FOR A DISTANCE OF 5.08[.200] FROM MATING END, GOLD FLASH ON REMAINDER, ALL OVER 1.27um[.000050] MIN NICKEL.
- 4. GOLD PLATING NOT TO APPEAR ON INSULATION SUPPORT STABILIZER.
- ⑤ POST WILL ACCEPT (SEE TABLE) TERMINATIONS.
- ⑥ .000100 MIN TIN OVER .000050 NICKEL. (POST)
- ⑦ OBSOLETE PARTS: OBSOLETE CIS STREAMLINING PER D.RENAUD/D.SINISI

⑥	③	SPECIAL	35.03 [1.379]	14.86 [.585]	1-66471-9
	③	1	37.97 [1.495]	17.81 [.701]	1-66471-8
	⑥	3	49.89 [1.964]	29.74 [1.171]	1-66471-7
	⑥	1	37.97 [1.495]	17.81 [.701]	1-66471-6
	③	3	49.89 [1.964]	29.74 [1.171]	1-66471-5
②	③	SPECIAL	35.03 [1.379]	14.86 [.585]	⑦ 1-66471-4
	-	-	-	-	-
	-	-	-	-	-
	-	-	-	-	-
	②	SPECIAL	40.79 [1.606]	20.65 [.813]	1-66471-0
	③	3	49.89 [1.964]	29.74 [1.171]	66471-9
	③	1	37.97 [1.495]	17.81 [.701]	66471-7
	②	3	49.89 [1.964]	29.74 [1.171]	66471-3
②	1	37.97 [1.495]	17.81 [.701]	66471-1	
POST FINISH	BODY FINISH	NO OF TERM	B	A	PART NUMBER

THIS DRAWING IS A CONTROLLED DOCUMENT.		DWN C.REIFSNYDER 07 JUN 96	Tyco Electronics Corporation Harrisburg, Pa 17105-3608	
DIMENSIONS: mm [INCHES]		CHK R.STONE 12 JUL 96	NAME G.A.STEINHAUER	
TOLERANCES UNLESS OTHERWISE SPECIFIED:		APVD G.A.STEINHAUER 23 JUL 96	PRODUCT SPEC	
0 PLC ± -		APPLICATION SPEC		
1 PLC ± -		WEIGHT -		
2 PLC ± 0.25[.010]		SIZE A2		
3 PLC ± -		CAGE CODE 00779		
4 PLC ± -		DRAWING NO C=66471		
ANGLES ± -		RESTRICTED TO -		
FINISH		SCALE 4:1		
SEE CALLOUTS		SHEET 1 OF 1		
SEE CALLOUTS		REV V1		
CUSTOMER DRAWING				