



Chipsmall Limited consists of a professional team with an average of over 10 year of expertise in the distribution of electronic components. Based in Hongkong, we have already established firm and mutual-benefit business relationships with customers from,Europe,America and south Asia,supplying obsolete and hard-to-find components to meet their specific needs.

With the principle of "Quality Parts,Customers Priority,Honest Operation,and Considerate Service",our business mainly focus on the distribution of electronic components. Line cards we deal with include Microchip,ALPS,ROHM,Xilinx,Pulse,ON,Everlight and Freescale. Main products comprise IC,Modules,Potentiometer,IC Socket,Relay,Connector.Our parts cover such applications as commercial,industrial, and automotives areas.

We are looking forward to setting up business relationship with you and hope to provide you with the best service and solution. Let us make a better world for our industry!



## Contact us

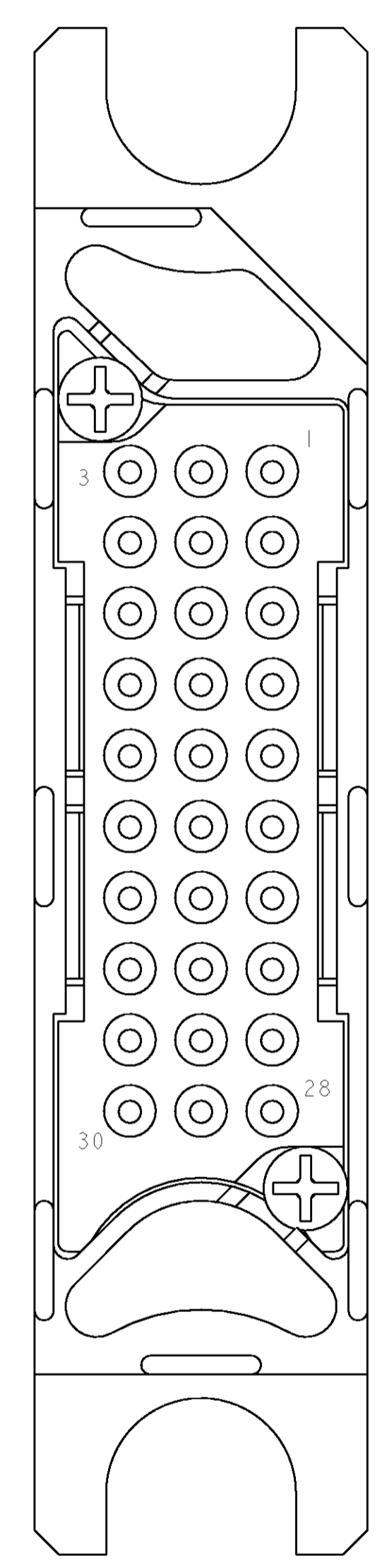
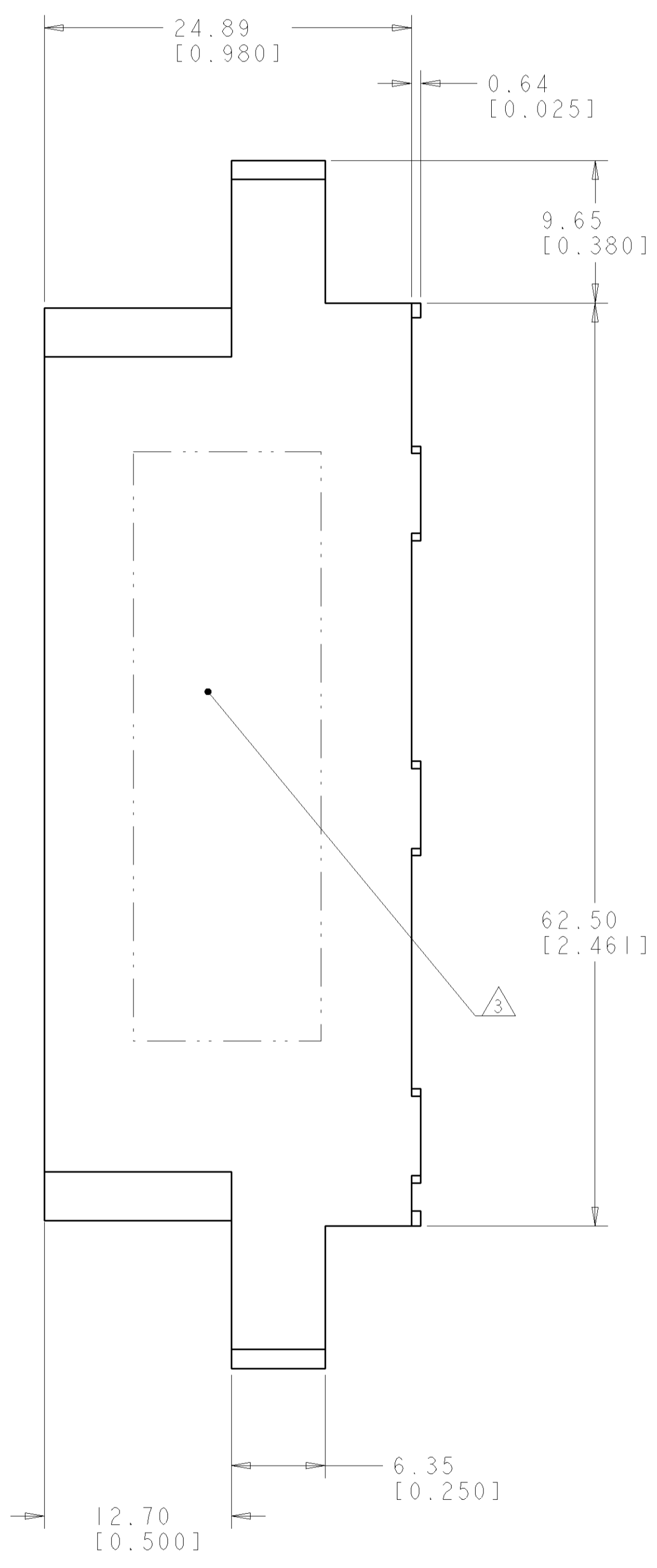
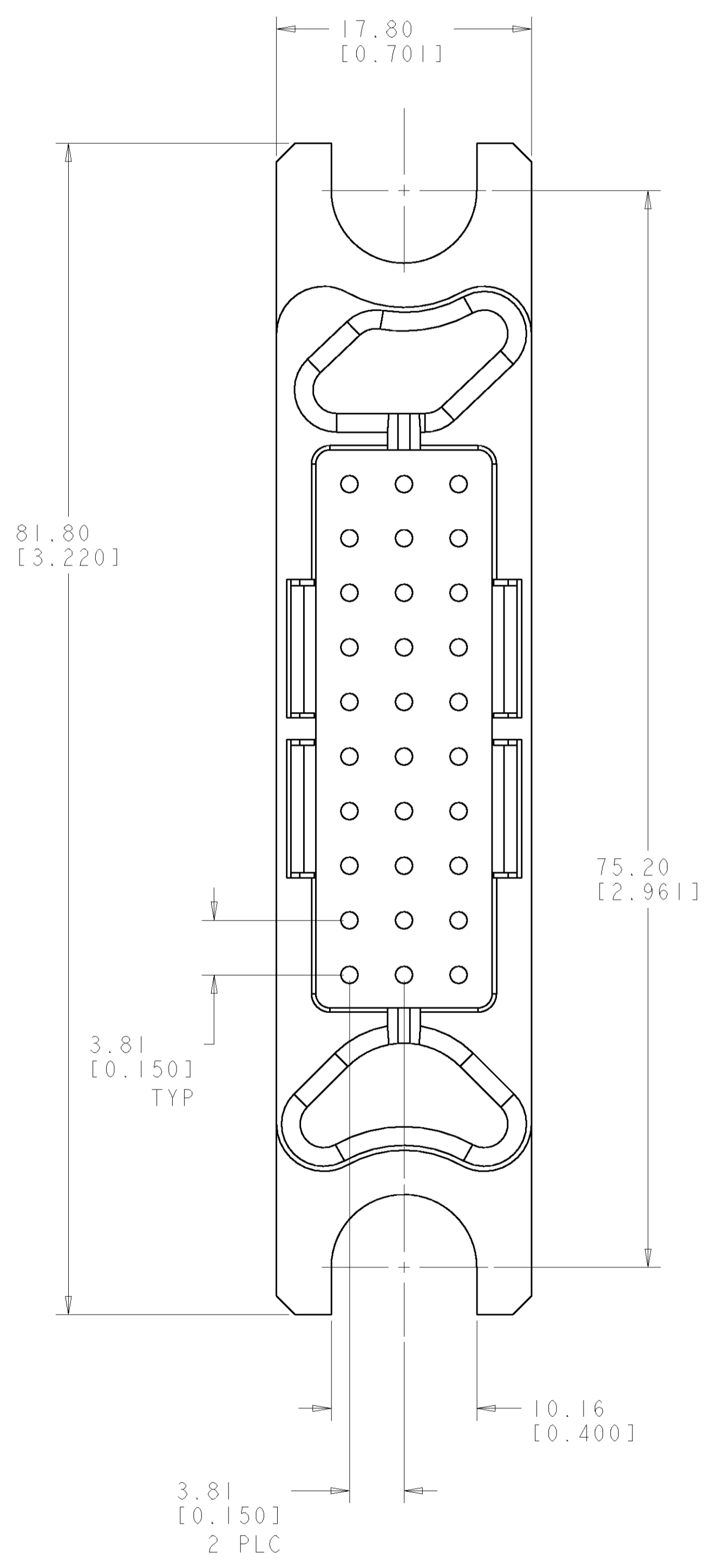
Tel: +86-755-8981 8866 Fax: +86-755-8427 6832

Email & Skype: info@chipsmall.com Web: www.chipsmall.com

Address: A1208, Overseas Decoration Building, #122 Zhenhua RD., Futian, Shenzhen, China



LOC		DIST		REVISIONS			
GP	00	P	LTR	DESCRIPTION	DATE	DWN	APVD
		A		RELEASED	19SEP106	RG	SF



REAR VIEW

SIZE #20 RETENTION CLIPS  
30 PLCS

- PART NUMBER CHANGES AND OR DESIGN CHANGES AFFECTING THE INTERCHANGEABILITY REQUIRE PRIOR TYCO APPROVAL AND AUTHORIZATION BY REVISION TO THIS DRAWING.
- MATERIAL:  
 INSULATOR: THERMOPLASTIC, GLASS REINFORCED,  
 FLAMMABILITY RATED, COLOR: BLACK  
 RETENTION CLIPS: BERYLLIUM COPPER OR STAINLESS STEEL

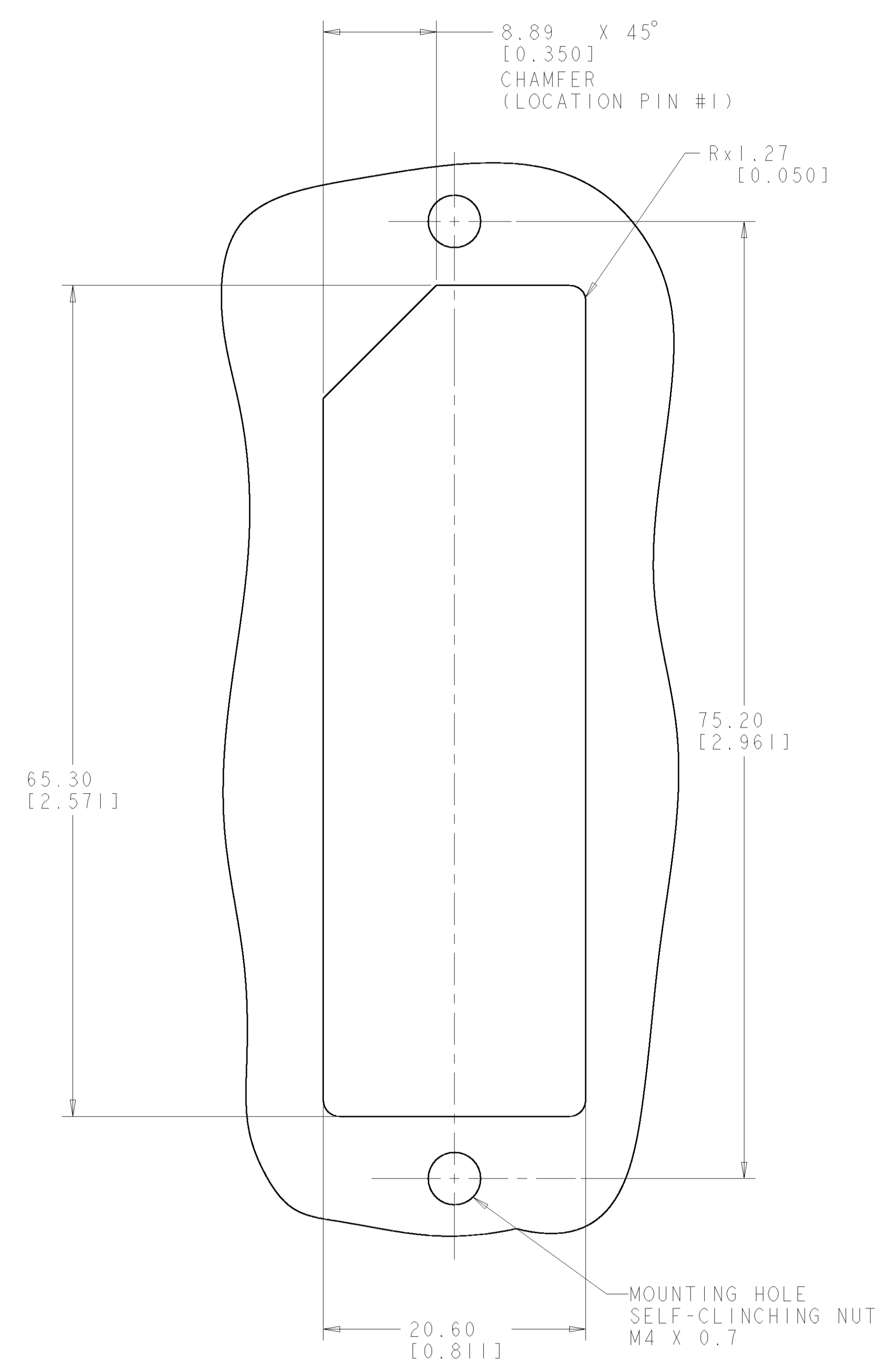
△ ITEMS PROVIDED TO THIS SPECIFICATION TO BE PERMANENTLY IDENTIFIED PER THE FOLLWING IDENTIFIER:  
 YEAR WEEK  
 TYCO PART NUMBER DATE CODE (e.g. 0216)  
 XXXXXXX-X XXXX

ELCON MINI DRAWER

AS SHOWN	6648190-1
DESCRIPTION	PART NUMBER

DIMENSIONS: mm [INCHES] TOLERANCES UNLESS OTHERWISE SPECIFIED: 0 PLC ± 1 PLC ±.5 (.020) 2 PLC ±.25 (.010) 3 PLC ± 4 PLC ± ANGLES ±		DWN: R. GRZYBOWSKI 19SEP106 ENR: S. FLICKINGER 19SEP106 APVD: S. FLICKINGER 19SEP106 PRODUCT SPEC APPLICATION SPEC WEIGHT CUSTOMER DRAWING	Tyco Electronics Harrisburg, PA 17105-3608 NAME: CONNECTOR, PIN 30 POSN. MINI DRAWER SIZE: CAGE CODE: DRAWING NO: A100779 C=6648190 RESTRICTED TO:
MATERIAL: - FINISH: -		SCALE: 4:1 SHEET 1 OF 2 REV A	tyco Electronics

LOC	DIST	REVISIONS			
P	LTR	DESCRIPTION	DATE	DWN	APVD
-	-	SEE SHEET 1	-	-	-



**SUGGESTED PANEL CUTOUT**  
 VIEW FROM CONNECTOR MOUNTING SIDE

**ELCON MINI DRAWER**

<small>THIS DRAWING IS UNPUBLISHED. RELEASED FOR PUBLICATION BY TICO ELECTRONICS CORPORATION. ALL RIGHTS RESERVED.</small>		DWN: B. GRZYBOWSKI 19SEPT06 CHK: S. FLICKINGER 19SEPT06 APVD: S. FLICKINGER 19SEPT06	<b>tyco</b> Tyco Electronics Harrisburg, PA 17105-3608
DIMENSIONS: mm [ INCHES ]	TOLERANCES UNLESS OTHERWISE SPECIFIED: 0 PLC ± . 1 PLC ± .5 (.020) 2 PLC ± .25 (.010) 3 PLC ± . 4 PLC ± . ANGLES ± .	PRODUCT SPEC: APPLICATION SPEC: WEIGHT: - FINISH: -	NAME: CONNECTOR, PIN 30 POSN. MINI DRAWER SIZE: A   00779   C=6648190 RESTRICTED TO: -
MATERIAL: - FINISH: -		CUSTOMER DRAWING	SCALE: 4:1 SHEET 2 OF 2 REV A