



Chipsmall Limited consists of a professional team with an average of over 10 year of expertise in the distribution of electronic components. Based in Hongkong, we have already established firm and mutual-benefit business relationships with customers from,Europe,America and south Asia,supplying obsolete and hard-to-find components to meet their specific needs.

With the principle of “Quality Parts,Customers Priority,Honest Operation,and Considerate Service”,our business mainly focus on the distribution of electronic components. Line cards we deal with include Microchip,ALPS,ROHM,Xilinx,Pulse,ON,Everlight and Freescale. Main products comprise IC,Modules,Potentiometer,IC Socket,Relay,Connector.Our parts cover such applications as commercial,industrial, and automotives areas.

We are looking forward to setting up business relationship with you and hope to provide you with the best service and solution. Let us make a better world for our industry!



Contact us

Tel: +86-755-8981 8866 Fax: +86-755-8427 6832

Email & Skype: info@chipsmall.com Web: www.chipsmall.com

Address: A1208, Overseas Decoration Building, #122 Zhenhua RD., Futian, Shenzhen, China



4

3

2

1

THIS DRAWING IS UNPUBLISHED. RELEASED FOR PUBLICATION
 © COPYRIGHT - BY TYCO ELECTRONICS CORPORATION. ALL RIGHTS RESERVED.

LOC	DIST	REVISIONS					
GP	00	P	LTR	DESCRIPTION	DATE	DWN	APVD
			A	NEW RELEASE	21JUL06	TK	SF

NOTES: UNLESS OTHERWISE SPECIFIED.

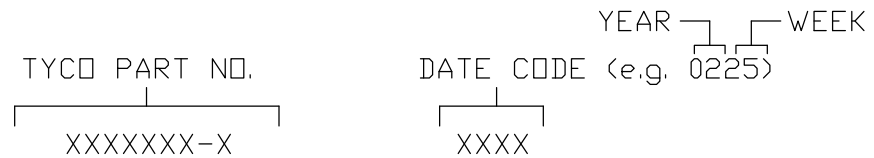
1. MATERIALS:

INSULATORS: MOLDED VALOX, COLOR BLACK,
 UL94V-0 FLAMMABILITY RATED.

RETENTION CLIPS: STAINLESS STEEL OR BERYLLIUM COPPER

PLASTIC RETENTION SCREW: STEEL

2 ITEMS PROVIDED TO THIS SPECIFICATION TO BE PERMANENTLY IDENTIFIED PER THE FOLLOWING IDENTIFIER:



3 ALL CONTACTS ARE SHIPPED LOOSE WITH THE CONNECTOR ASSEMBLY.

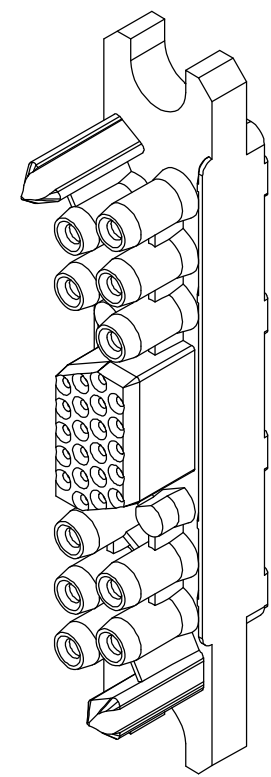
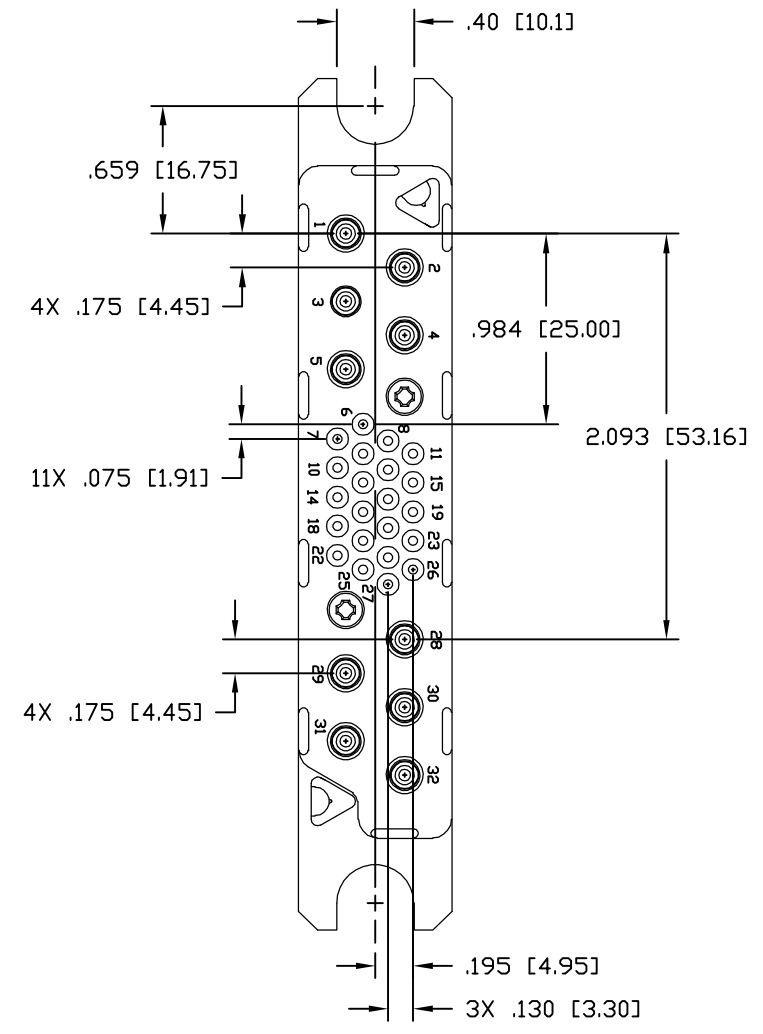
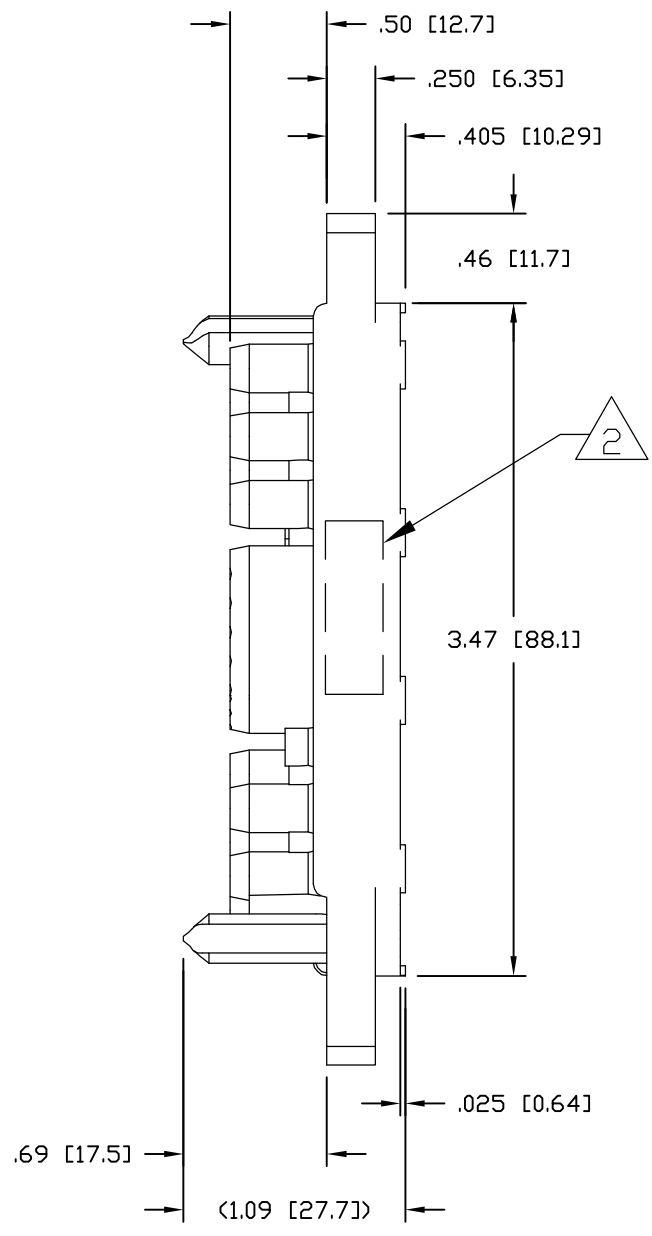
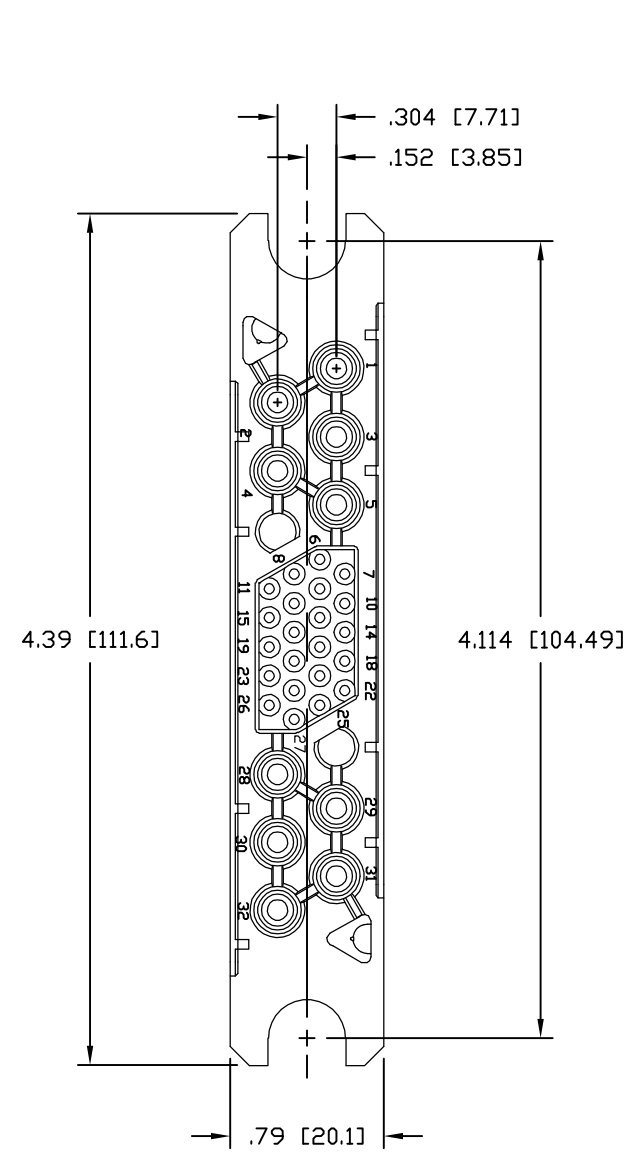
6648193-1 AS SHOWN

ELCON STR SOCKET CUSTOM CONN

THIS DRAWING IS A CONTROLLED DOCUMENT.		DWN	T.KRAYBILL	20JUL2006	Tyco Electronics Corporation Harrisburg, PA 17105-3608					
DIMENSIONS: INCHES		CHK	S.FLICKINGER	21JUL06						
		TOLERANCES UNLESS OTHERWISE SPECIFIED:		APVD	S.FLICKINGER	21JUL06	NAME	STRAIGHT SOCKET CUSTOM CONNECTOR		
0 PLC ± - 1 PLC ± .02 [.3] 2 PLC ± .010 [.25] 3 PLC ± - 4 PLC ± - ANGLES ± 5°		PRODUCT SPEC		-		-				
MATERIAL		FINISH		APPLICATION SPEC		-		RESTRICTED TO	-	
-		-		WEIGHT		-		SIZE	A3	
CUSTOMER DRAWING				CAGE CODE	00779	DRAWING NO	C-6648193		SCALE	1:1
				SHEET		1 OF 3		REV	A	

THIS DRAWING IS UNPUBLISHED. RELEASED FOR PUBLICATION
 © COPYRIGHT BY TYCO ELECTRONICS CORPORATION. ALL RIGHTS RESERVED.

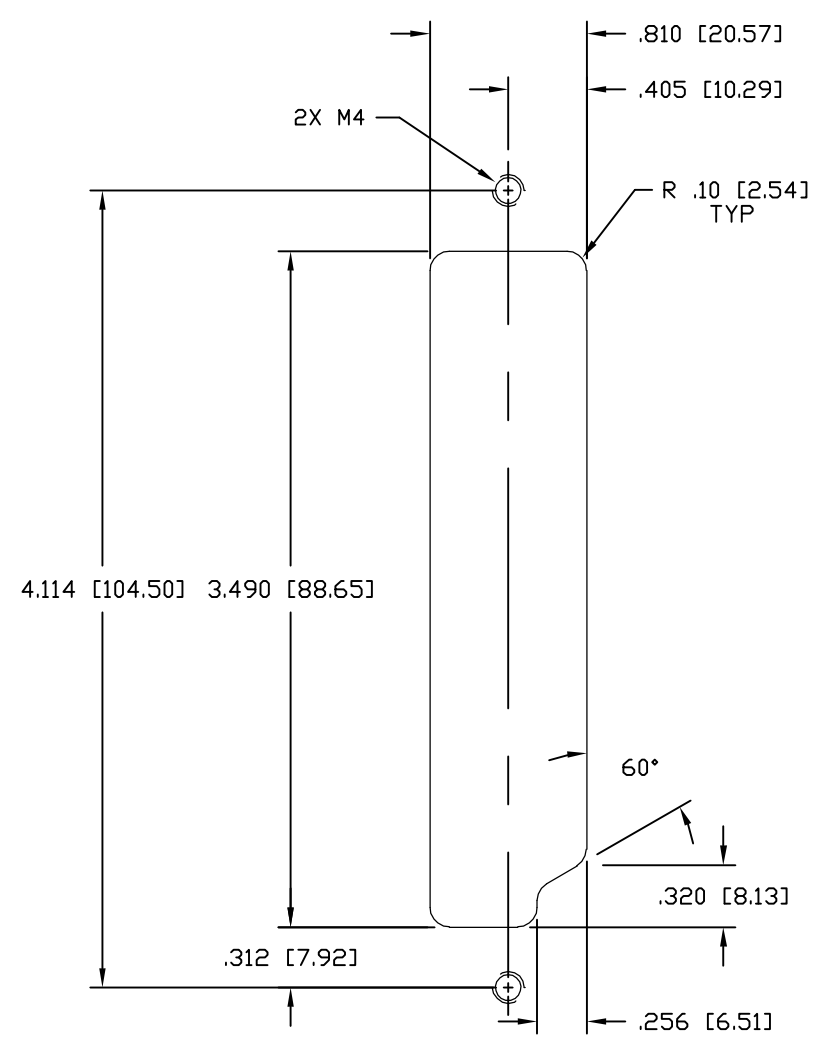
LOC	DIST	REVISIONS			
P	LTR	DESCRIPTION	DATE	DWN	APVD
GP	00	SEE SHEET 1	-	-	-



THIS DRAWING IS A CONTROLLED DOCUMENT.		DWN T.KRAYBILL 20JUL2006	Tyco Electronics Corporation Harrisburg, PA 17105-3608	
DIMENSIONS: INCHES		CHK S.FLICKINGER 21JUL06	NAME STRAIGHT SOCKET CUSTOM CONNECTOR	
TOLERANCES UNLESS OTHERWISE SPECIFIED:		APVD S.FLICKINGER 21JUL06	SIZE A3	
0 PLC ± -		PRODUCT SPEC -	CAGE CODE 00779	DRAWING NO C-6648193
1 PLC ± .02 [.3]		APPLICATION SPEC -	RESTRICTED TO -	
2 PLC ± .010 [.25]		WEIGHT -	SCALE 1:1	
3 PLC ± -		CUSTOMER DRAWING		
4 PLC ± -		SHEET 2 OF 3		
ANGLES ± 5°		REV A		
FINISH -				

THIS DRAWING IS UNPUBLISHED. RELEASED FOR PUBLICATION
 © COPYRIGHT - BY TYCO ELECTRONICS CORPORATION. ALL RIGHTS RESERVED.

LOC	DIST	REVISIONS			
P	LTR	DESCRIPTION	DATE	DWN	APVD
GP	00	SEE SHEET 1	-	-	-



SUGGESTED PANEL CUTOUT FOR FIXED CONNECTOR
SOCKET SIDE

THIS DRAWING IS A CONTROLLED DOCUMENT.		DWN T.KRAYBILL 20JUL2006	Tyco Electronics Corporation Harrisburg, PA 17105-3608				
DIMENSIONS: INCHES	TOLERANCES UNLESS OTHERWISE SPECIFIED:	CHK S.FLICKINGER 21JUL06	NAME STRAIGHT SOCKET CUSTOM CONNECTOR				
	0 PLC ± -	APVD S.FLICKINGER 21JUL06	PRODUCT SPEC				
	1 PLC ± .02 [.3]	PRODUCT SPEC	-				
MATERIAL	FINISH	2 PLC ± .010 [.25]	APPLICATION SPEC				
		3 PLC ± -	-				
		4 PLC ± -	SIZE	CAGE CODE	DRAWING NO	RESTRICTED TO	
		ANGLES ± 5°	A3	00779	C-6648193	-	
			CUSTOMER DRAWING		SCALE 1:1	SHEET 3 OF 3	REV A