



Chipsmall Limited consists of a professional team with an average of over 10 year of expertise in the distribution of electronic components. Based in Hongkong, we have already established firm and mutual-benefit business relationships with customers from,Europe,America and south Asia,supplying obsolete and hard-to-find components to meet their specific needs.

With the principle of “Quality Parts,Customers Priority,Honest Operation,and Considerate Service”,our business mainly focus on the distribution of electronic components. Line cards we deal with include Microchip,ALPS,ROHM,Xilinx,Pulse,ON,Everlight and Freescale. Main products comprise IC,Modules,Potentiometer,IC Socket,Relay,Connector.Our parts cover such applications as commercial,industrial, and automotives areas.

We are looking forward to setting up business relationship with you and hope to provide you with the best service and solution. Let us make a better world for our industry!



Contact us

Tel: +86-755-8981 8866 Fax: +86-755-8427 6832

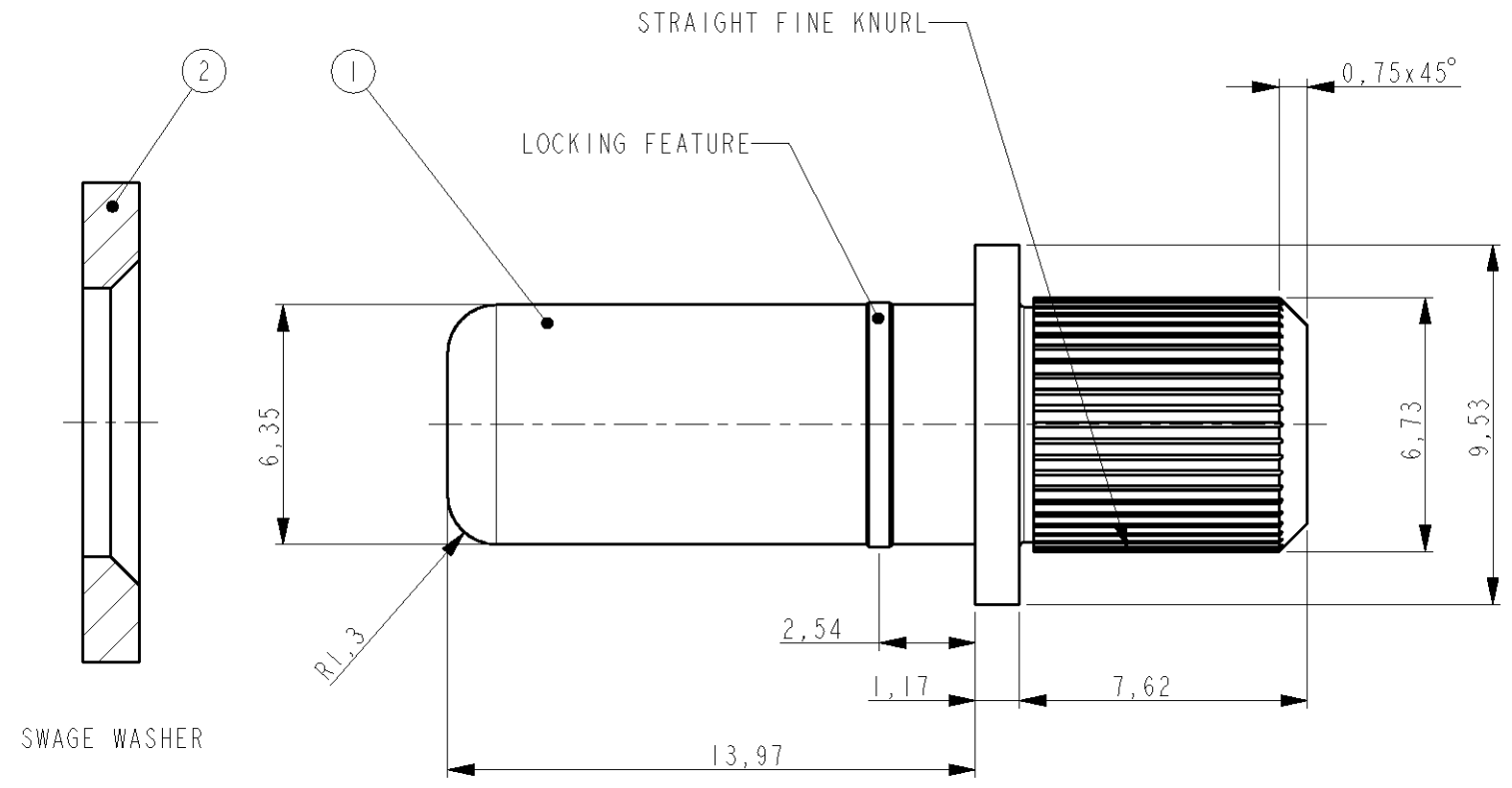
Email & Skype: info@chipsmall.com Web: www.chipsmall.com

Address: A1208, Overseas Decoration Building, #122 Zhenhua RD., Futian, Shenzhen, China

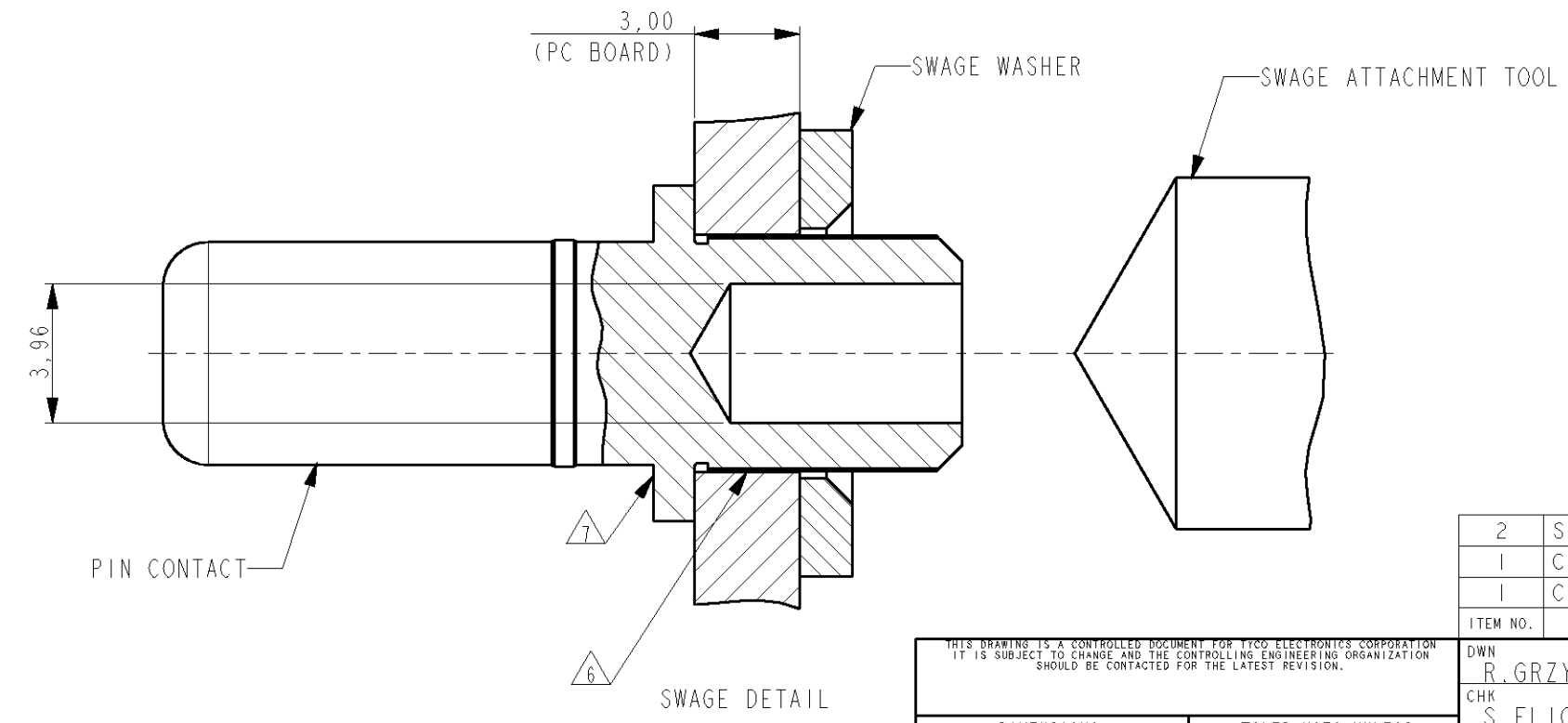


THIS DRAWING IS UNPUBLISHED. RELEASED FOR PUBLICATION
 © COPYRIGHT - BY TYCO ELECTRONICS CORPORATION. ALL RIGHTS RESERVED.

LOC	DIST	REVISIONS					
		P	LTR	DESCRIPTION	DATE	DWN	APVD
H	-		A	RELEASED	03APR06	RG	SF
			B	ECR-08-017970	21JUL2008	JvdH	RL



- NOTES:
- PART NUMBER CHANGES AND/OR DESIGN CHANGES AFFECTING ITEM INTERCHANGEABILITY REQUIRE PRIOR TYCO ELECTRONICS APPROVAL AND AUTHORIZATION BY REVISION TO THIS DRAWING.
 - ITEMS PROVIDED TO THIS SPECIFICATION SHALL BE IDENTIFIED ON THE CONTAINER. WITH THE FOLLOWING INFORMATION: PART NUMBER&DATE CODE OF MANUFACTURE.
 - MATERIAL: - PIN CONTACT : COPPER ALLOY
- SWAGE WASHER : STEEL.
 - FINISH; -PIN CONTACT: SILVER 5,0μ MIN THK. OVER NICKEL 1,0μ MIN. THK.
 - FINISH; -PIN CONTACT: GOLD 0,5μ MIN THK. OVER NICKEL 1,0μ MIN. THK.
 - RECOMMENDED HOLE DIAMETER AFTER PLATING: ø6,60 +0,07 / -0,03
 - RETAIN PIN CONTACT WITH SUPPORT TOOL BEFORE SWAGE OPERATION.



ITEM NO.	DESCRIPTION	MATERIAL	FINISH	QUANTITY
2	SWAGE WASHER 1,5MM THICK	STEEL		1
1	CONTACT PIN SIZE #4	COPPER ALLOY	5	1
1	CONTACT PIN SIZE #4	COPPER ALLOY	4	1

THIS DRAWING IS A CONTROLLED DOCUMENT FOR TYCO ELECTRONICS CORPORATION IT IS SUBJECT TO CHANGE AND THE CONTROLLING ENGINEERING ORGANIZATION SHOULD BE CONTACTED FOR THE LATEST REVISION.

DIMENSIONS:	TOLERANCES UNLESS OTHERWISE SPECIFIED:
mm	
0 PLC	±-
1 PLC	±-
2 PLC	±-
3 PLC	±-
4 PLC	±-
ANGLES	±-
MATERIAL	FINISH

DWN 04APR2008 R.GRZYBOWSKI
 CHK 03APR06 S.FLICKINGER
 APVD 03APR06 S.FLICKINGER

Tyco Electronics Tyco Electronics Corporation
 's-Hertogenbosch, Nederland

NAME: PIN CONTACT, SIZE NO.4
 SWAGE MOUNT
 LOCKING STYLE, PRESS FIT

SIZE: A3 CAGE CODE: 00779 DRAWING NO: C=6648222 RESTRICTED TO: -

CUSTOMER DRAWING SCALE: SHEET OF REV B

6648222-1
 6648222-2