



Chipsmall Limited consists of a professional team with an average of over 10 year of expertise in the distribution of electronic components. Based in Hongkong, we have already established firm and mutual-benefit business relationships with customers from,Europe,America and south Asia,supplying obsolete and hard-to-find components to meet their specific needs.

With the principle of “Quality Parts,Customers Priority,Honest Operation,and Considerate Service”,our business mainly focus on the distribution of electronic components. Line cards we deal with include Microchip,ALPS,ROHM,Xilinx,Pulse,ON,Everlight and Freescale. Main products comprise IC,Modules,Potentiometer,IC Socket,Relay,Connector.Our parts cover such applications as commercial,industrial, and automotives areas.

We are looking forward to setting up business relationship with you and hope to provide you with the best service and solution. Let us make a better world for our industry!



## Contact us

Tel: +86-755-8981 8866 Fax: +86-755-8427 6832

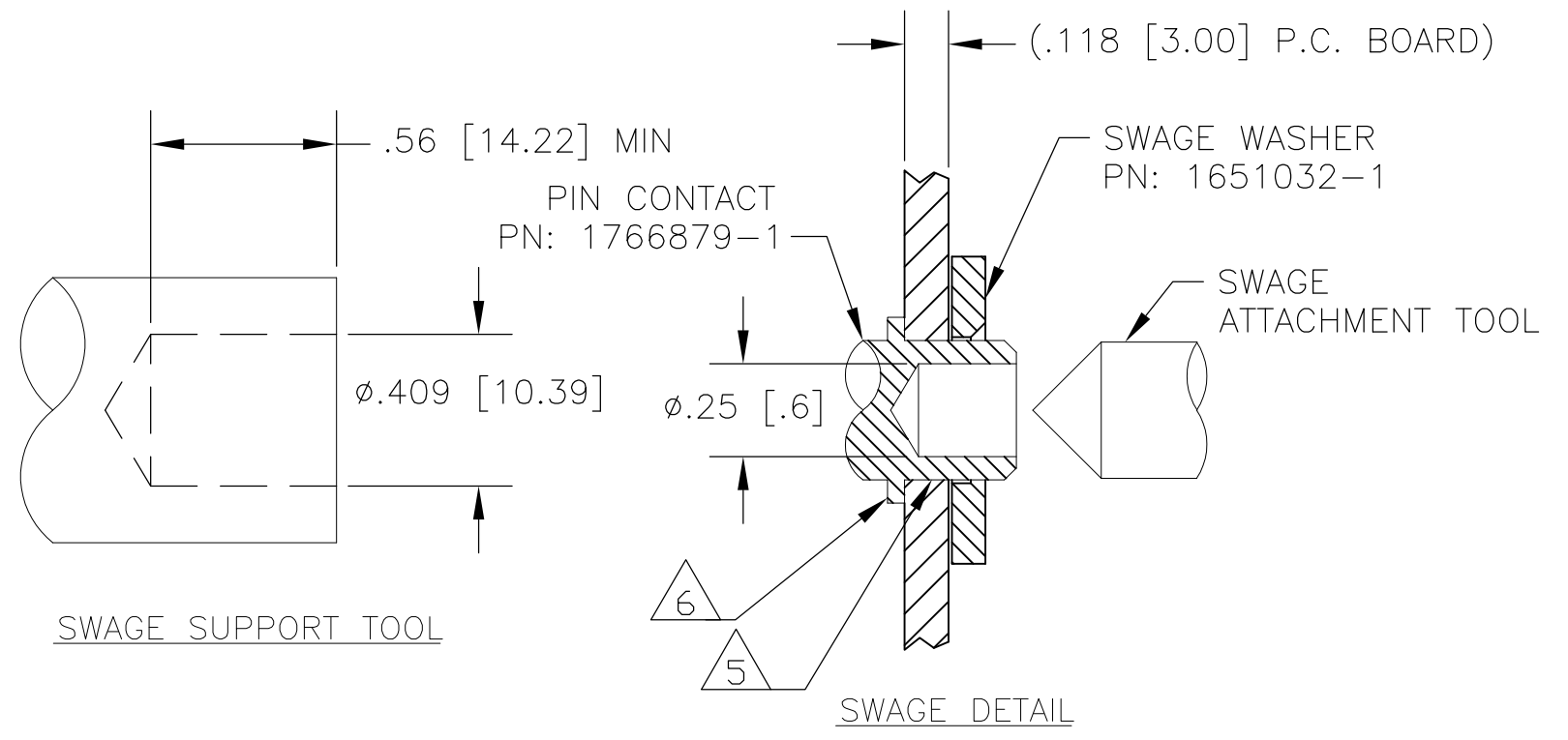
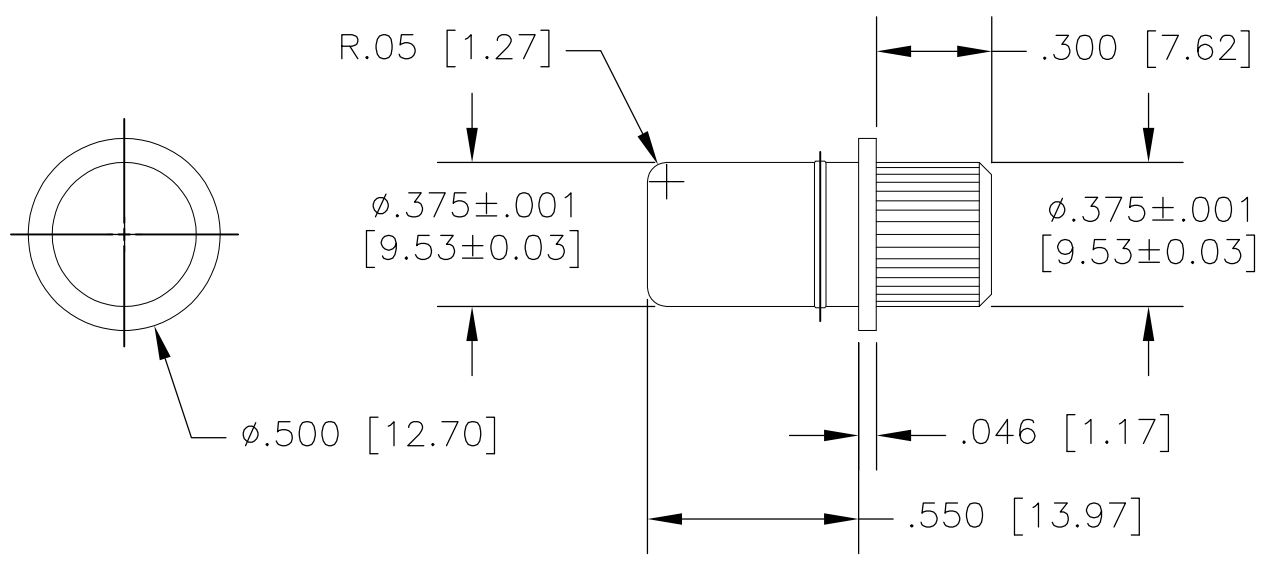
Email & Skype: info@chipsmall.com Web: www.chipsmall.com

Address: A1208, Overseas Decoration Building, #122 Zhenhua RD., Futian, Shenzhen, China



THIS DRAWING IS UNPUBLISHED. RELEASED FOR PUBLICATION  
 © COPYRIGHT - By - ALL RIGHTS RESERVED.

REVISIONS					
P	LTR	DESCRIPTION	DATE	DWN	APVD
	A1	RELEASED	04MAY06	RG	SF
	A1	REV PER ECR-16-004335	23MAR16	WY	SZ



- PART NUMBER CHANGES AND/OR DESIGN CHANGES AFFECTING ITEM INTERCHANGEABILITY REQUIRE PRIOR TYCO APPROVAL AND AUTHORIZATION BY REVISION TO THIS DRAWING.
- ITEMS PROVIDED TO THIS SPECIFICATION SHALL BE IDENTIFIED ON THE CONTAINER WITH THE FOLLOWING INFORMATION: PART NUMBER & DATE CODE OF MANUFACTURE.

3 MATERIAL - PIN CONTACT: COPPER ALLOY  
 SWAGE WASHER: STEEL.

4 FINISH - PIN CONTACT: SILVER PLATED .0002 MIN THK.  
 OVER NICKEL .00004 MIN THK.  
 SWAGE WASHER: NICKEL PLATED

5 RECOMMENDED HOLE DIAMETER AFTER PLATING:  
 $\phi.370+.003/-.001$  [ $\phi9.35+.08/- .03$ ].

6 RETAIN PIN CONTACT WITH SUPPORT TOOL BEFORE SWAGE OPERATION.

THIS DRAWING IS A CONTROLLED DOCUMENT.		DWN R.GRZYBOWSKI 04MAY2006	TE Connectivity PIN CONTACT, SIZE NO.2, SWAGE MOUNT LOCKING STYLE PRESS FIT		
DIMENSIONS: INCHES		CHK S.FLICKINGER 04MAY06			
TOLERANCES UNLESS OTHERWISE SPECIFIED:		APVD S.FLICKINGER 04MAY06	NAME		
0 PLC ± - 1 PLC ± - 2 PLC ± .02 [.5] 3 PLC ± .010 [.25] 4 PLC ± - ANGLES ± .5		PRODUCT SPEC	SIZE		
MATERIAL		APPLICATION SPEC	CAGE CODE	DRAWING NO	RESTRICTED TO
FINISH		WEIGHT 0.05	A3	00779	C-6648223
		CUSTOMER DRAWING		SCALE 2:1	SHEET 1 OF 1
				REV A1	

ELCON CONTACTS