



Chipsmall Limited consists of a professional team with an average of over 10 year of expertise in the distribution of electronic components. Based in Hongkong, we have already established firm and mutual-benefit business relationships with customers from,Europe,America and south Asia,supplying obsolete and hard-to-find components to meet their specific needs.

With the principle of “Quality Parts,Customers Priority,Honest Operation,and Considerate Service”,our business mainly focus on the distribution of electronic components. Line cards we deal with include Microchip,ALPS,ROHM,Xilinx,Pulse,ON,Everlight and Freescale. Main products comprise IC,Modules,Potentiometer,IC Socket,Relay,Connector.Our parts cover such applications as commercial,industrial, and automotives areas.

We are looking forward to setting up business relationship with you and hope to provide you with the best service and solution. Let us make a better world for our industry!



Contact us

Tel: +86-755-8981 8866 Fax: +86-755-8427 6832

Email & Skype: info@chipsmall.com Web: www.chipsmall.com

Address: A1208, Overseas Decoration Building, #122 Zhenhua RD., Futian, Shenzhen, China

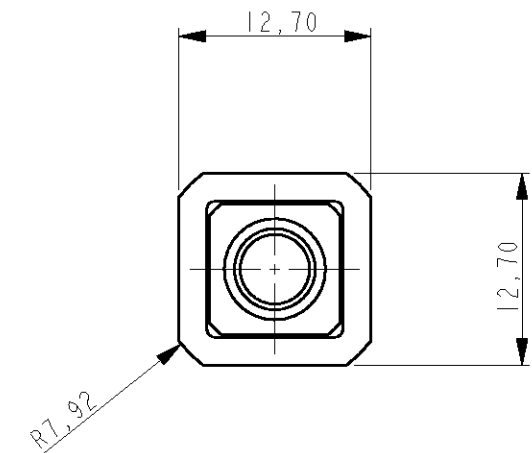
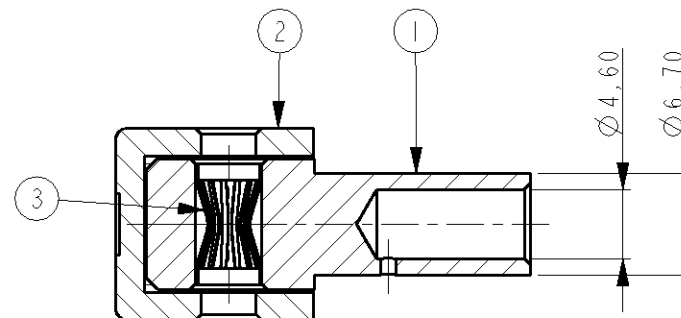
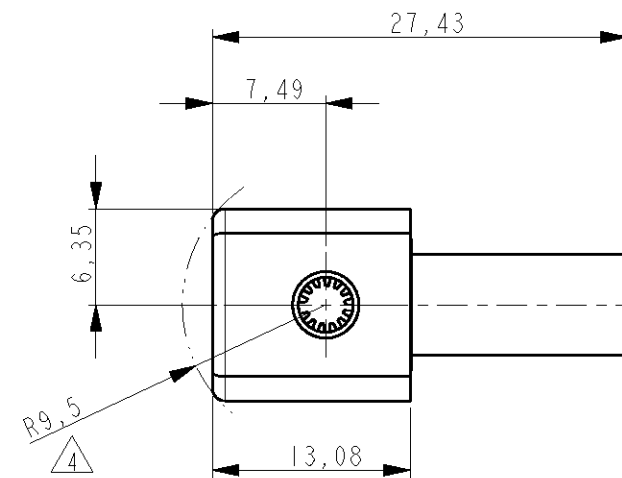


THIS DRAWING IS UNPUBLISHED. RELEASED FOR PUBLICATION 20
 © COPYRIGHT 20 BY TYCO ELECTRONICS CORPORATION. ALL RIGHTS RESERVED.

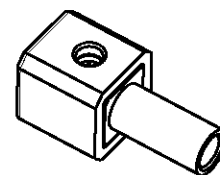
LOC	DIST	REVISIONS					
		P	LTR	DESCRIPTION	DATE	DWN	APVD
H	-		B	ECR-07-020010	06AUG2007	JV	RL

NOTES:

- 1 ITEMS PROVIDED TO THIS SPECIFICATION SHALL BE IDENTIFIED ON THE CONTAINER WITH THE FOLLOWING INFORMATION: PART NUMBER & DATE CODE OF MFR.
- 2 MATERIALS:
 SOCKET BODY: TeCu
 CROWN CONTACT: BeCu
 HOUSING: THERMOPLASTIC, 94V-0, COLOR PER TABLE
- 3 FINISHES:
 SOCKET BODY: SILVER PLATING: MIN. 5µm
 OVER MIN. 1µm NICKEL.
 CROWN CONTACT: GOLD PLATING: MIN. 0.75µm
 OVER MIN. 1µm NICKEL.
- 4 ROTATION ARC.
- 5 FOR TERMINATION REFER TO 1926079-1
- 6 MAXIMUM CABLE DIAMETER NOT TO EXCEED 1/2"



6648228-3	BLUE
6648228-2	RED
6648228-1	BLACK



SCALE 1:1

ITEM NO.	DESCRIPTION	QUANT.
3	CROWN, CONTACT, SIZE #8	1
2	HOUSING, CROWN SOCKET, SIZE #8	1
1	CONTACT SOCKET BODY, RIGHT ANGLE, SIZE #8	1

<small>THIS DRAWING IS A CONTROLLED DOCUMENT FOR TYCO ELECTRONICS CORPORATION IT IS SUBJECT TO CHANGE AND THE CONTROLLING ENGINEERING ORGANIZATION SHOULD BE CONTACTED FOR THE LATEST REVISION.</small>		DWN J.VOS 06-Aug-07 CHK R.LOKKER 06-Aug-07 APVD J.BROEKSTEEG PRODUCT SPEC - APPLICATION SPEC - WEIGHT -		Tyco Electronics Tyco Electronics Corporation 's-Hertogenbosch, Nederland	
DIMENSIONS: mm 		TOLERANCES UNLESS OTHERWISE SPECIFIED: 0 PLC ±0,2 1 PLC ±0,1 2 PLC ±0,05 3 PLC ±0,025 4 PLC ±0,005 ANGLES ±2°		NAME JUMPER, CROWN SOCKET, PIN SIZE #8 WITH #8 AWG CRIMP BARREL	
MATERIAL -		FINISH -		SIZE A3	CAGE CODE 00779
				DRAWING NO C=6648228	
CUSTOMER DRAWING				SCALE 2:1	SHEET 1 OF 1
				REV B	