



Chipsmall Limited consists of a professional team with an average of over 10 year of expertise in the distribution of electronic components. Based in Hongkong, we have already established firm and mutual-benefit business relationships with customers from,Europe,America and south Asia,supplying obsolete and hard-to-find components to meet their specific needs.

With the principle of “Quality Parts,Customers Priority,Honest Operation,and Considerate Service”,our business mainly focus on the distribution of electronic components. Line cards we deal with include Microchip,ALPS,ROHM,Xilinx,Pulse,ON,Everlight and Freescale. Main products comprise IC,Modules,Potentiometer,IC Socket,Relay,Connector.Our parts cover such applications as commercial,industrial, and automotives areas.

We are looking forward to setting up business relationship with you and hope to provide you with the best service and solution. Let us make a better world for our industry!



Contact us

Tel: +86-755-8981 8866 Fax: +86-755-8427 6832

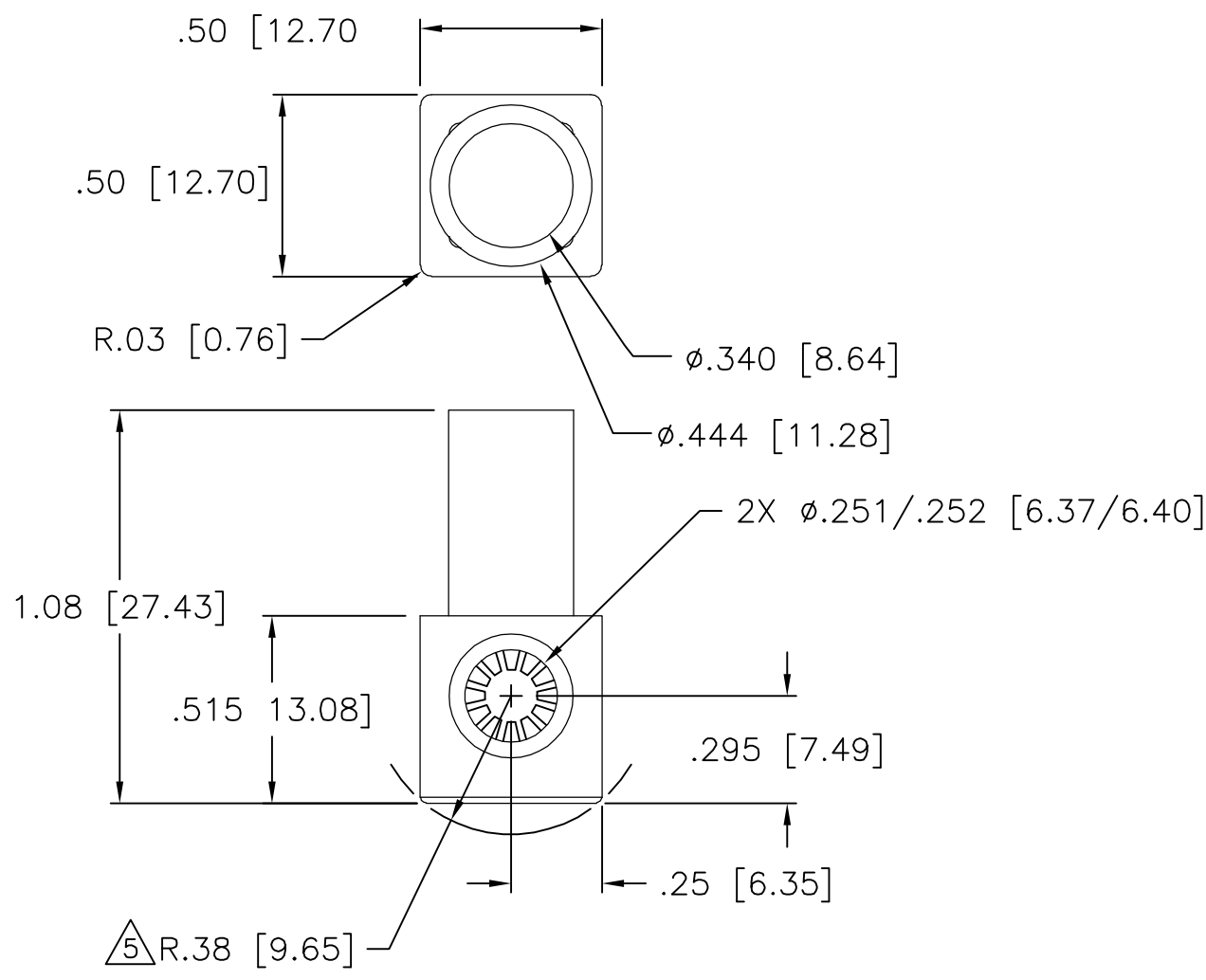
Email & Skype: info@chipsmall.com Web: www.chipsmall.com

Address: A1208, Overseas Decoration Building, #122 Zhenhua RD., Futian, Shenzhen, China



THIS DRAWING IS UNPUBLISHED. RELEASED FOR PUBLICATION
 © COPYRIGHT BY TYCO ELECTRONICS CORPORATION. ALL RIGHTS RESERVED.

LOC		DIST		REVISIONS			
GP	00	P	LTR	DESCRIPTION	DATE	DWN	APVD
			A	RELEASED	02MAR06	RG	MP



- 6. FOR TERMINATION REFER TO 1926079-1
- 5 ROTATION ARC.
- 4. FINISH:
 SOCKET HOUSING - SILVER PLATED .000200 MIN THK.
 OVER ELECTROLESS NICKEL PLATE
 .000040 MIN THK.
 CROWN - GOLD PLATED .000030 MIN THK OVER
 ELECTROLESS NICKEL PLATE .000040 MIN. THK
- 3. MATERIAL:
 CROWN CONTACT - BERYLLIUM COPPER
 SOCKET HOUSING - TELLURIUM COPPER ALLOY
 INSULATOR - THERMOPLASTIC, 94V-0, COLOR PER TABLE
- 2. ITEMS PROVIDED TO THIS SPECIFICATION SHALL BE IDENTIFIED ON THE CONTAINER WITH THE FOLLOWING INFORMATION:
 PART NUMBER AND DATE CODE OF MANUFACTURE.
- 1. PART NUMBER CHANGES AND/OR DESIGN CHANGES AFFECTING ITEM INTERCHANGEABILITY REQUIRE PRIOR TYCO APPROVAL AND AUTHORIZATION BY REVISION TO THIS DRAWING.

RED	6648236-2
BLACK	6648236-1
COLOR	PART NUMBER

THIS DRAWING IS A CONTROLLED DOCUMENT.		DWN	R.GRZYBOWSKI	02MAR2006	Tyco Electronics Corporation Harrisburg, PA 17105-3608		
DIMENSIONS: INCHES		CHK	M.PERCHERKE	02MAR06			
		APVD	M.PERCHERKE	02MAR06	CROWN SOCKET JUMPER, SIZE #4 W/ #4 CRIMP BARREL,		
TOLERANCES UNLESS OTHERWISE SPECIFIED:		PRODUCT SPEC		RESTRICTED TO			
0 PLC ± -		APPLICATION SPEC		SIZE	CAGE CODE	DRAWING NO	
1 PLC ± -		MATERIAL		A300779		C-6648236	
2 PLC ± .02		FINISH		CUSTOMER DRAWING			
3 PLC ± .010		MATERIAL		SCALE	1:1	SHEET	1 OF 1
4 PLC ± -		MATERIAL		REV A			
ANGLES ± .5		MATERIAL					

RAPID LOCK ELCON