



Chipsmall Limited consists of a professional team with an average of over 10 year of expertise in the distribution of electronic components. Based in Hongkong, we have already established firm and mutual-benefit business relationships with customers from,Europe,America and south Asia,supplying obsolete and hard-to-find components to meet their specific needs.

With the principle of “Quality Parts,Customers Priority,Honest Operation,and Considerate Service”,our business mainly focus on the distribution of electronic components. Line cards we deal with include Microchip,ALPS,ROHM,Xilinx,Pulse,ON,Everlight and Freescale. Main products comprise IC,Modules,Potentiometer,IC Socket,Relay,Connector.Our parts cover such applications as commercial,industrial, and automotives areas.

We are looking forward to setting up business relationship with you and hope to provide you with the best service and solution. Let us make a better world for our industry!



Contact us

Tel: +86-755-8981 8866 Fax: +86-755-8427 6832

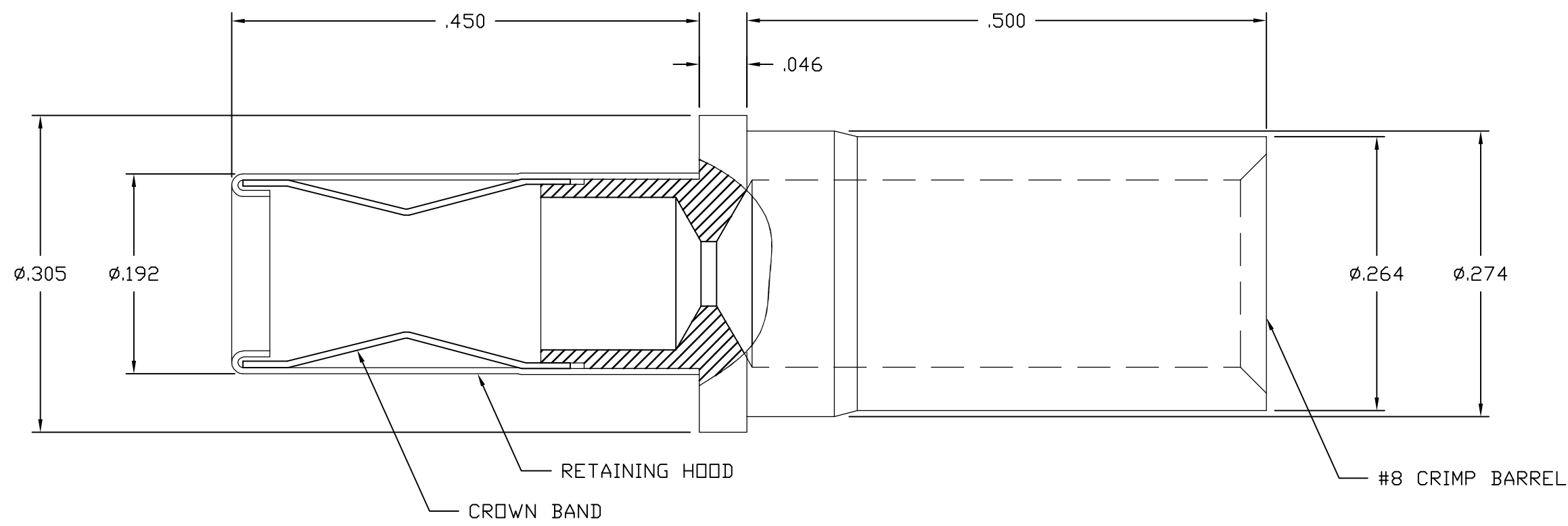
Email & Skype: info@chipsmall.com Web: www.chipsmall.com

Address: A1208, Overseas Decoration Building, #122 Zhenhua RD., Futian, Shenzhen, China



THIS DRAWING IS UNPUBLISHED. RELEASED FOR PUBLICATION
 © COPYRIGHT - BY TYCO ELECTRONICS CORPORATION. ALL RIGHTS RESERVED.

LOC	DIST	REVISIONS					
GP	00	P	LTR	DESCRIPTION	DATE	DWN	APVD
			A	RELEASED	18APR06	RG	SF



- 5. REFERENCE ELCON SERIES 702-31-11107.
- 4. FINISH:
 SOCKET BODY: SILVER PLATED .0002 MIN THK. OVER NICKEL .00004 MIN THK..
 CROWN CONTACT: GOLD PLATED .000030 MIN THK. OVER NICKEL .00004 MIN THK..
 RETAINING HOOD: PASSIVATED.

- 3. MATERIALS:
 SOCKET BODY: COPPER ALLOY
 CROWN CONTACT: BERYLLIUM COPPER.
 RETAINING HOOD: STAINLESS STEEL.

- 2. ITEMS PROVIDED TO THIS SPECIFICATION SHALL BE PERMANENTLY IDENTIFIED/PACKAGED PER THE FOLLOWING:
 CONNECTOR PART NUMBER AND DATE CODE OF MFR.
- 1. PART NUMBER CHANGES AND/OR DESIGN CHANGES AFFECTING ITEM INTERCHANGEABILITY REQUIRE PRIOR ELCON APPROVAL AND AUTHORIZATION BY REVISION TO THIS DRAWING.

AS SHOWN	6648317-1
DESCRIPTION	PART NUMBER

THIS DRAWING IS A CONTROLLED DOCUMENT.		DWN	R.GRZYBOWSKI	18APR2006	Tyco Electronics Corporation Harrisburg, PA 17105-3608				
DIMENSIONS: INCHES		CHK	S.FLICKINGER	18APR06					
TOLERANCES UNLESS OTHERWISE SPECIFIED:		APVD	S.FLICKINGER	18APR06					
0 PLC ± - 1 PLC ± .02 2 PLC ± .010 3 PLC ± - 4 PLC ± - ANGLES ± .5		NAME		SOCKET CONTACT, SIZE #8 CRIMP REMOVABLE STYLE					
MATERIAL		PRODUCT SPEC		APPLICATION SPEC		SIZE	CAGE CODE	DRAWING NO	RESTRICTED TO
-		-		-		A3	00779	C-6648317	-
CUSTOMER DRAWING					SCALE	1:1	SHEET	1 OF 1	REV
					A				

ELCON CIRCULAR CONTACT