



Chipsmall Limited consists of a professional team with an average of over 10 year of expertise in the distribution of electronic components. Based in Hongkong, we have already established firm and mutual-benefit business relationships with customers from,Europe,America and south Asia,supplying obsolete and hard-to-find components to meet their specific needs.

With the principle of “Quality Parts,Customers Priority,Honest Operation,and Considerate Service”,our business mainly focus on the distribution of electronic components. Line cards we deal with include Microchip,ALPS,ROHM,Xilinx,Pulse,ON,Everlight and Freescale. Main products comprise IC,Modules,Potentiometer,IC Socket,Relay,Connector.Our parts cover such applications as commercial,industrial, and automotives areas.

We are looking forward to setting up business relationship with you and hope to provide you with the best service and solution. Let us make a better world for our industry!



Contact us

Tel: +86-755-8981 8866 Fax: +86-755-8427 6832

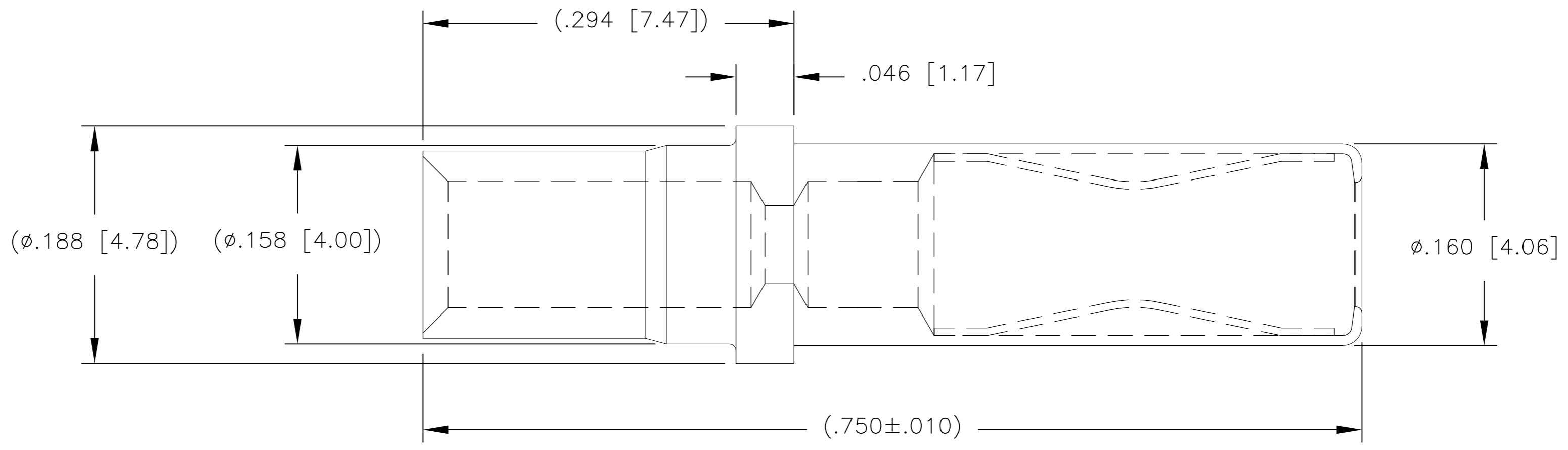
Email & Skype: info@chipsmall.com Web: www.chipsmall.com

Address: A1208, Overseas Decoration Building, #122 Zhenhua RD., Futian, Shenzhen, China



THIS DRAWING IS UNPUBLISHED. RELEASED FOR PUBLICATION
 © COPYRIGHT - By - ALL RIGHTS RESERVED.

EC	LOC	DIST	REVISIONS					
			P	LTR	DESCRIPTION	DATE	DWN	APVD
CPR	-	-	B1		REVISED PER ECO-11-005150	21MAR11	RK	HMR



- 4. FINISHES:
 SOCKET BODY: SILVER PLATED.
 CROWN: GOLD PLATED.
- 3. MATERIALS:
 SOCKET BODY: COPPER ALLOY.
 CROWN: BeCu
- 2. ITEMS PROVIDED TO THIS SPECIFICATION SHALL BE IDENTIFIED WITH THE FOLLOWING MINIMUM INFORMATION ON THE SHIPPING PACKAGE MFG IDENT, PART NUMBER AND DATE CODE OF MANUFACTURE.
- 1. PART NUMBER AND/OR DESIGN CHANGES AFFECTING ITEM INTERCHANGEABILITY REQUIRE PRIOR TE CONNECTIVITY APPROVAL AND AUTHORIZATION BY REVISION TO THIS DRAWING.

NOTES: UNLESS OTHERWISE SPECIFIED

THIS DRAWING IS A CONTROLLED DOCUMENT.		DWN	12/05/05	STE TE Connectivity	
		CHK	LOVATO/M. ALIM		
DIMENSIONS: INCH(MM)		TOLERANCES UNLESS OTHERWISE SPECIFIED:		NAME	
		0 PLC	± -	D. CHAU 12/05/05	
		1 PLC	± -	APVD	
		2 PLC	± 0.02(0.5)	PRODUCT SPEC	
		3 PLC	± 0.010(0.25)	APPLICATION SPEC	
MATERIAL		FINISH		SIZE	RESTRICTED TO
-		-		A2	-
CUSTOMER DRAWING				CAGE CODE	DRAWING NO
				00779	6648318
SCALE 10:1				SHEET 1 of 1	REV B1

6648318