



Chipsmall Limited consists of a professional team with an average of over 10 year of expertise in the distribution of electronic components. Based in Hongkong, we have already established firm and mutual-benefit business relationships with customers from,Europe,America and south Asia,supplying obsolete and hard-to-find components to meet their specific needs.

With the principle of “Quality Parts,Customers Priority,Honest Operation,and Considerate Service”,our business mainly focus on the distribution of electronic components. Line cards we deal with include Microchip,ALPS,ROHM,Xilinx,Pulse,ON,Everlight and Freescale. Main products comprise IC,Modules,Potentiometer,IC Socket,Relay,Connector.Our parts cover such applications as commercial,industrial, and automotives areas.

We are looking forward to setting up business relationship with you and hope to provide you with the best service and solution. Let us make a better world for our industry!



## Contact us

Tel: +86-755-8981 8866 Fax: +86-755-8427 6832

Email & Skype: info@chipsmall.com Web: www.chipsmall.com

Address: A1208, Overseas Decoration Building, #122 Zhenhua RD., Futian, Shenzhen, China



4

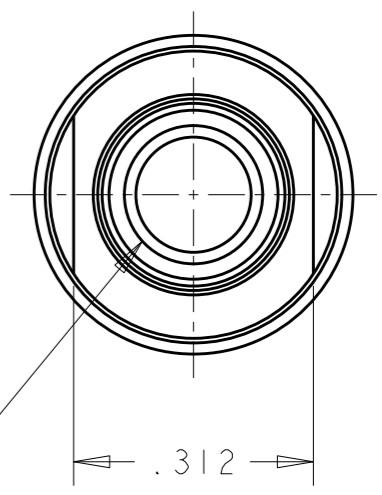
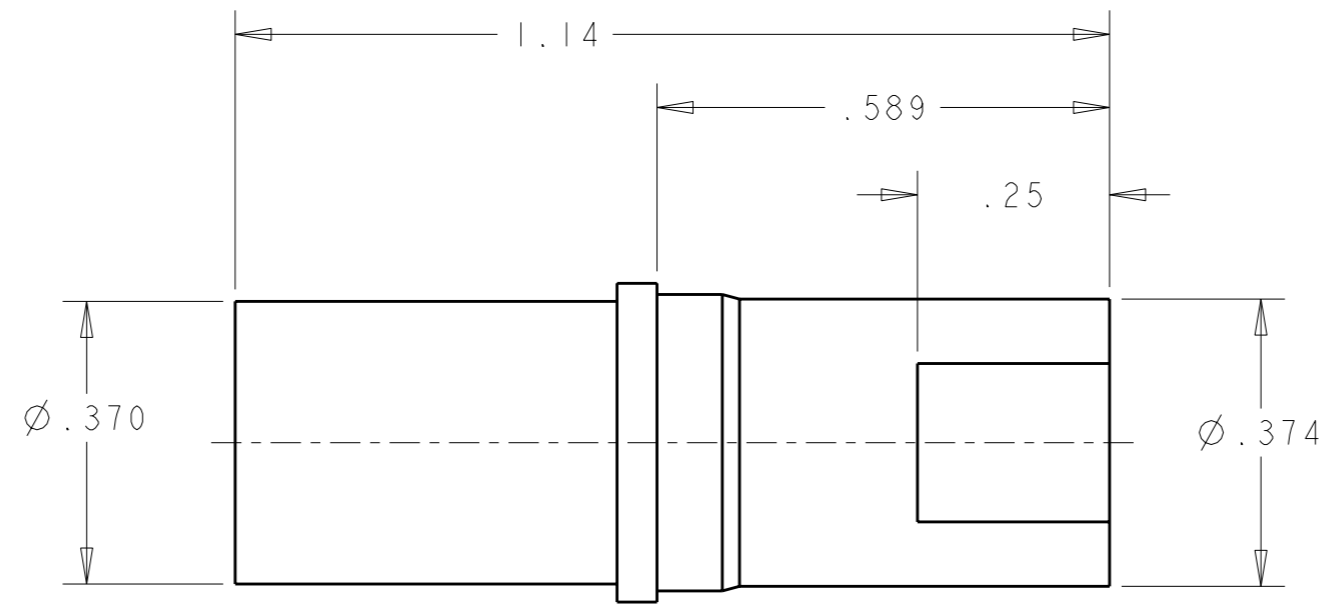
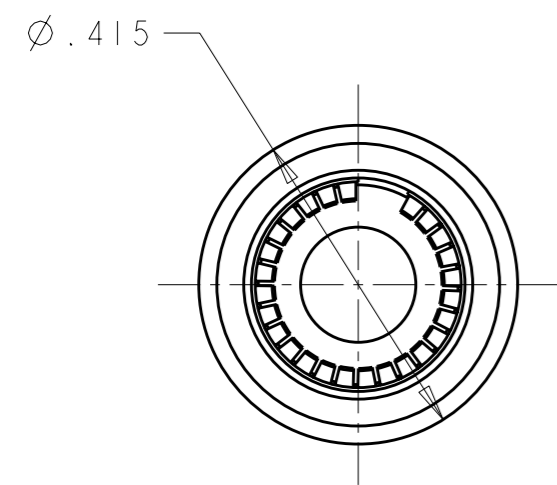
3

2

1

THIS DRAWING IS UNPUBLISHED. RELEASED FOR PUBLICATION 20  
 © COPYRIGHT 20 BY TYCO ELECTRONICS CORPORATION. ALL RIGHTS RESERVED.

LOC	DIST	REVISIONS			
P	LTR	DESCRIPTION	DATE	DWN	APVD
GP	00	B	REV PER ECO-09-005644	06MAR2009	RG DO



1. PART NUMBER AND/OR DESIGN CHANGES AFFECTING ITEM INTERCHANGEABILITY REQUIRE PRIOR TYCO ELECTRONICS APPROVAL AND AUTHORIZATION BY REVISION TO THIS PART.

2 MATERIAL:  
 SOCKET BODY - COPPER ALLOY  
 CROWN BAND - BERYLLIUM COPPER

3 FINISH:  
 SOCKET BODY - SILVER PLATE .000200 MIN THK. OVER  
 NICKEL PLATE .000040 MIN THK.  
 CROWN BAND - GOLD PLATE .000030 MIN THK. OVER  
 NICKEL PLATE .000040 MIN THK.

4. ITEMS PROVIDED TO THIS SPECIFICATION TO BE PERMANENTLY IDENTIFIED ON THE CONTAINER PER THE FOLLOWING LABEL:  
 YEAR    WEEK   

TYCO ELECTRONICS P/N  
 XXXXXXXX-X

DATE CODE (e.g. 0106)  
 XXXX

AS SHOWN	6648335-1
DESCRIPTION	PART NO.

<small>THIS DRAWING IS A CONTROLLED DOCUMENT FOR TYCO ELECTRONICS CORPORATION IT IS SUBJECT TO CHANGE AND THE CONTROLLING ENGINEERING ORGANIZATION SHOULD BE CONTACTED FOR THE LATEST REVISION.</small>		DWN 06MAR2009 R. GRZYBOWSKI		Tyco Electronics Harrisburg, PA 17105-3608	
DIMENSIONS: INCHES		TOLERANCES UNLESS OTHERWISE SPECIFIED: 0 PLC ±. 1 PLC ±. 2 PLC ±.02 3 PLC ±.010 4 PLC ±. ANGLES ±.5		CHK 06MAR2009 D. ORRIS	
		APVD 06MAR2009 M. PERCHERKE		NAME SOCKET CONNECTOR ASSEMBLY SIZE No.4, TAPPED M5, SINGLE CROWN DRAWER	
MATERIAL <u>  </u> 2		FINISH <u>  </u> 3		PRODUCT SPEC 108-2285	
		APPLICATION SPEC 114-13206		SIZE CAGE CODE DRAWING NO RESTRICTED TO A300779 C-6648335 -	
		WEIGHT -		SCALE 4:1 SHEET OF REV B	
		CUSTOMER DRAWING			