



Chipsmall Limited consists of a professional team with an average of over 10 year of expertise in the distribution of electronic components. Based in Hongkong, we have already established firm and mutual-benefit business relationships with customers from,Europe,America and south Asia,supplying obsolete and hard-to-find components to meet their specific needs.

With the principle of “Quality Parts,Customers Priority,Honest Operation,and Considerate Service”,our business mainly focus on the distribution of electronic components. Line cards we deal with include Microchip,ALPS,ROHM,Xilinx,Pulse,ON,Everlight and Freescale. Main products comprise IC,Modules,Potentiometer,IC Socket,Relay,Connector.Our parts cover such applications as commercial,industrial, and automotives areas.

We are looking forward to setting up business relationship with you and hope to provide you with the best service and solution. Let us make a better world for our industry!



Contact us

Tel: +86-755-8981 8866 Fax: +86-755-8427 6832

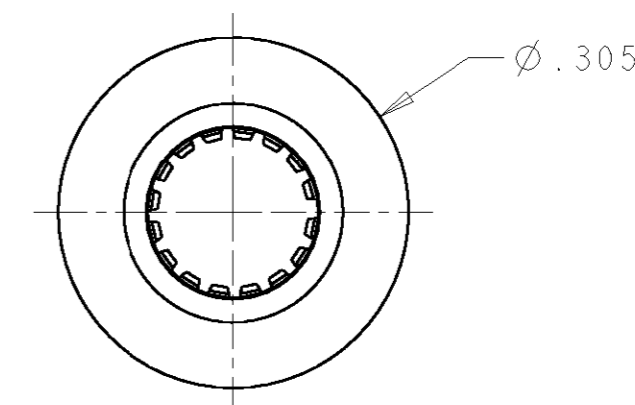
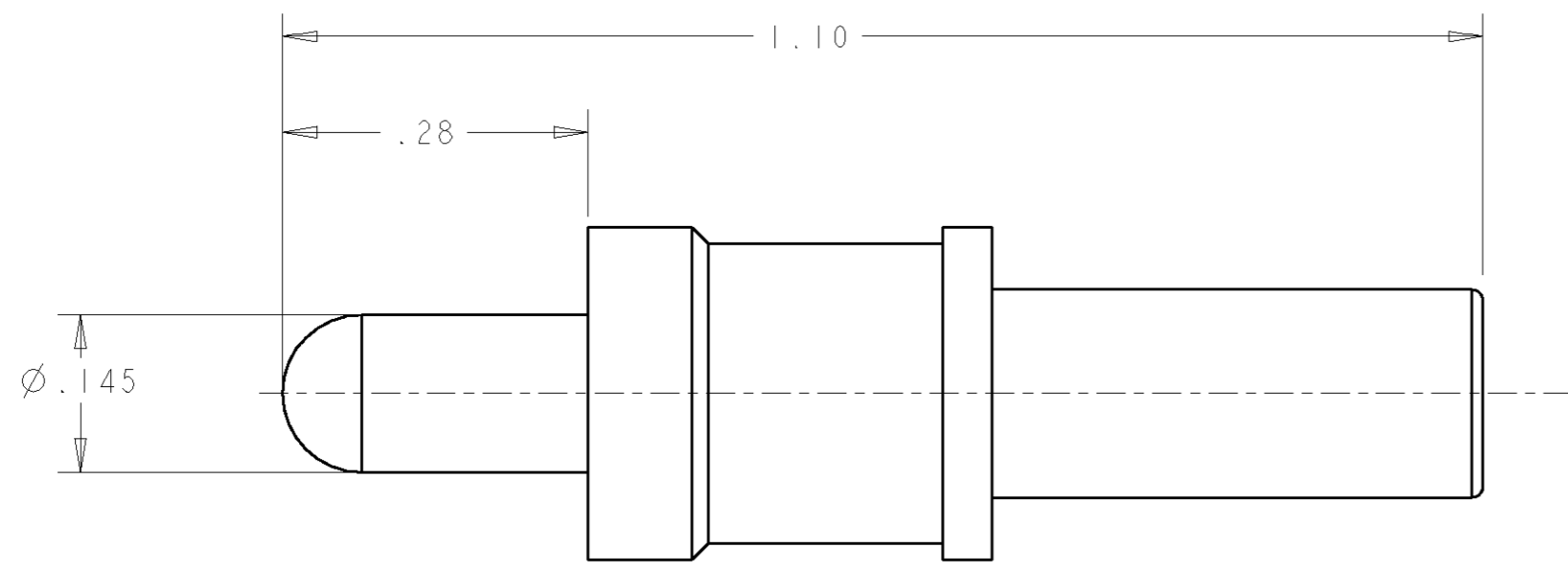
Email & Skype: info@chipsmall.com Web: www.chipsmall.com

Address: A1208, Overseas Decoration Building, #122 Zhenhua RD., Futian, Shenzhen, China



THIS DRAWING IS UNPUBLISHED. RELEASED FOR PUBLICATION 20
 © COPYRIGHT 20 BY TYCO ELECTRONICS CORPORATION. ALL RIGHTS RESERVED.

LOC	DIST	REVISIONS			
P	LTR	DESCRIPTION	DATE	DWN	APVD
GP	00	A	RELEASED	11MAY2007	RG DO



- PART NUMBER CHANGES AND OR DESIGN CHANGES AFFECTING THE INTERCHANGEABILITY REQUIRE PRIOR TYCO APPROVAL AND AUTHORIZATION BY REVISION TO THIS DRAWING.
- MATERIAL;
 SOCKET BODY: BRASS ALLOY
 CROWN BAND: BERYLLIUM COPPER ALLOY
- FINISH:
 SOCKET BODY: SILVER PLATE .000200 MIN THK. OVER NICKEL
 .000040 MIN. THK.
 CROWN BAND: GOLD PLATE .000030 MIN THK. OVER NICKEL .000050 MIN THK.
- ITEMS PROVIDED TO THIS SPECIFICATION TO BE PERMANENTLY IDENTIFIED ON THE CONTAINER WITH THE FOLLOWING IDENTIFIER:

TYCO PART NO. YEAR WEEK
 XXXXXXXX-X DATE CODE (e.g. 0216) XXXX

AS SHOWN	6648400-1
DESCRIPTION	PART NUMBER

<small>THIS DRAWING IS A CONTROLLED DOCUMENT FOR TYCO ELECTRONICS CORPORATION IT IS SUBJECT TO CHANGE AND THE CONTROLLING ENGINEERING ORGANIZATION SHOULD BE CONTACTED FOR THE LATEST REVISION.</small>		DWN R.GRZYBOWSKI 11MAY2007 CHR D.ORRIS 11MAY2007 APVD S.FLICKINGER 11MAY2007		Tyco Electronics Harrisburg, PA 17105-3608	
DIMENSIONS: INCHES 		TOLERANCES UNLESS OTHERWISE SPECIFIED: 0 PLC ±- 1 PLC ±- 2 PLC ±.02 3 PLC ±.01 4 PLC ±- ANGLES ±-		NAME SOCKET CONTACT, SIZE No 8 STANDARD, PC TAIL DRAWER/DOMINO	
MATERIAL - FINISH -		PRODUCT SPEC - APPLICATION SPEC - WEIGHT -		SIZE A3 CAGE CODE 00779 DRAWING NO C-6648400 RESTRICTED TO -	
CUSTOMER DRAWING				SCALE 6:1 SHEET 1 OF 1 REV A	

ELCON CONTACTS