



Chipsmall Limited consists of a professional team with an average of over 10 year of expertise in the distribution of electronic components. Based in Hongkong, we have already established firm and mutual-benefit business relationships with customers from,Europe,America and south Asia,supplying obsolete and hard-to-find components to meet their specific needs.

With the principle of “Quality Parts,Customers Priority,Honest Operation,and Considerate Service”,our business mainly focus on the distribution of electronic components. Line cards we deal with include Microchip,ALPS,ROHM,Xilinx,Pulse,ON,Everlight and Freescale. Main products comprise IC,Modules,Potentiometer,IC Socket,Relay,Connector.Our parts cover such applications as commercial,industrial, and automotives areas.

We are looking forward to setting up business relationship with you and hope to provide you with the best service and solution. Let us make a better world for our industry!



Contact us

Tel: +86-755-8981 8866 Fax: +86-755-8427 6832

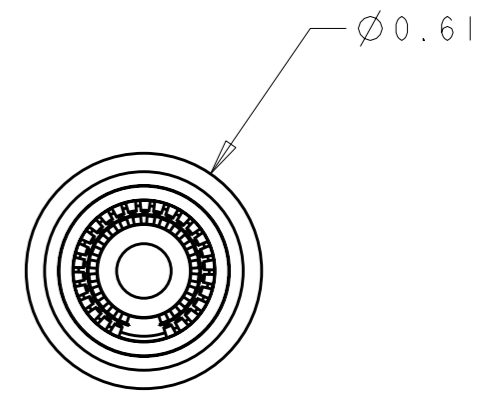
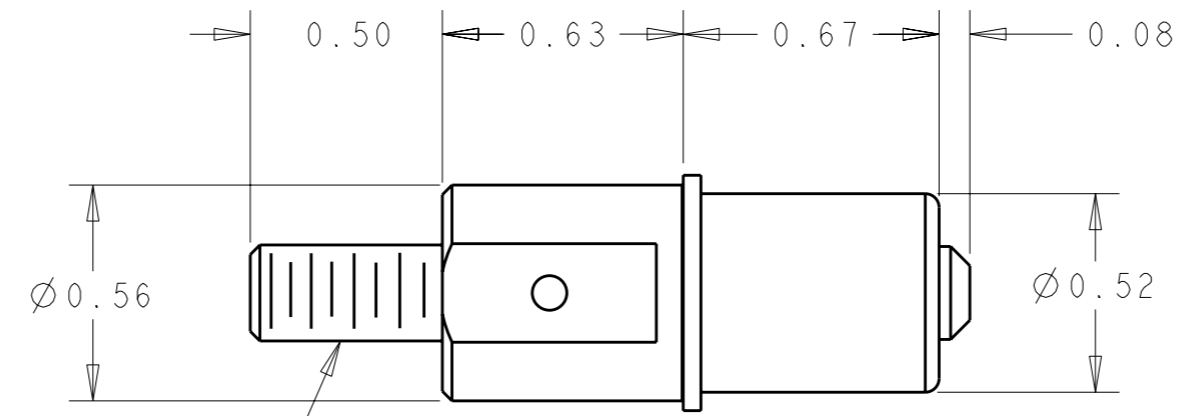
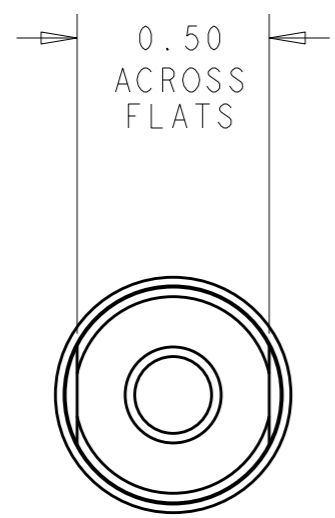
Email & Skype: info@chipsmall.com Web: www.chipsmall.com

Address: A1208, Overseas Decoration Building, #122 Zhenhua RD., Futian, Shenzhen, China



THIS DRAWING IS UNPUBLISHED. RELEASED FOR PUBLICATION 20
 © COPYRIGHT 20 BY TYCO ELECTRONICS CORPORATION. ALL RIGHTS RESERVED.

LOC	DIST	REVISIONS			
P	LTR	DESCRIPTION	DATE	DWN	APVD
-	-	A	NEW RELEASE	22OCT2008	CR DO



1/4-20 UNC-2A

- PART NUMBER CHANGES AND/OR DESIGN CHANGES AFFECTING INTERCHANGEABILITY REQUIRE PRIOR TYCO ELECTRONICS APPROVAL AND AUTHORIZATION BY REVISION TO THIS DRAWING
- ITEMS PROVIDED TO THIS SPECIFICATION TO BE PERMANENTLY IDENTIFIED PER THE FOLLOWING IDENTIFIER LABEL

TYCO ELECTRONICS P/N: XXXXXXXX-X
 DATE CODE (e.g. 0106): YEAR WEEK
 XXXX

3 MATERIALS:
 CONTACTS: COPPER ALLOY
 CROWN BANDS: COPPER ALLOY

4 FINISHES:
 CONTACTS: SILVER PLATE: .000200/.000300 THK OVER
 NICKEL PLATE: .000040 MIN THK
 CROWN BANDS: GOLD: .000040 MIN THK OVER
 NICKEL PLATE: .000040 THK

THIS DRAWING IS A CONTROLLED DOCUMENT FOR TYCO ELECTRONICS CORPORATION
 IT IS SUBJECT TO CHANGE AND THE CONTROLLING ENGINEERING ORGANIZATION
 SHOULD BE CONTACTED FOR THE LATEST REVISION.

DIMENSIONS: INCHES		TOLERANCES UNLESS OTHERWISE SPECIFIED:	
		0 PLC ±-	1 PLC ±-
		2 PLC ±.01	3 PLC ±.006
		4 PLC ±-	ANGLES ±.5
		MATERIAL - 3	FINISH - 4

DWN	C. ROHLER	22OCT2008
CHK	D. ORRIS	22OCT2008
APVD	M. PERCHERKE	22OCT2008
PRODUCT SPEC	-	
APPLICATION SPEC	-	
WEIGHT	-	
CUSTOMER DRAWING		

AS SHOWN		6648420-1	
DESCRIPTION		PART NO.	
Tyco Electronics Harrisburg, PA 17105-3608			
NAME: CONTACT, SOCKET, SIZE #0 1/4-20 EXT THD, DOUBLE CROWN DRAWERS			
SIZE	CAGE CODE	DRAWING NO	RESTRICTED TO
A3	00779	C-6648420	-
SCALE 2:1		SHEET 1	OF 1 REV A