



Chipsmall Limited consists of a professional team with an average of over 10 year of expertise in the distribution of electronic components. Based in Hongkong, we have already established firm and mutual-benefit business relationships with customers from,Europe,America and south Asia,supplying obsolete and hard-to-find components to meet their specific needs.

With the principle of "Quality Parts,Customers Priority,Honest Operation,and Considerate Service",our business mainly focus on the distribution of electronic components. Line cards we deal with include Microchip,ALPS,ROHM,Xilinx,Pulse,ON,Everlight and Freescale. Main products comprise IC,Modules,Potentiometer,IC Socket,Relay,Connector.Our parts cover such applications as commercial,industrial, and automotives areas.

We are looking forward to setting up business relationship with you and hope to provide you with the best service and solution. Let us make a better world for our industry!



Contact us

Tel: +86-755-8981 8866 Fax: +86-755-8427 6832

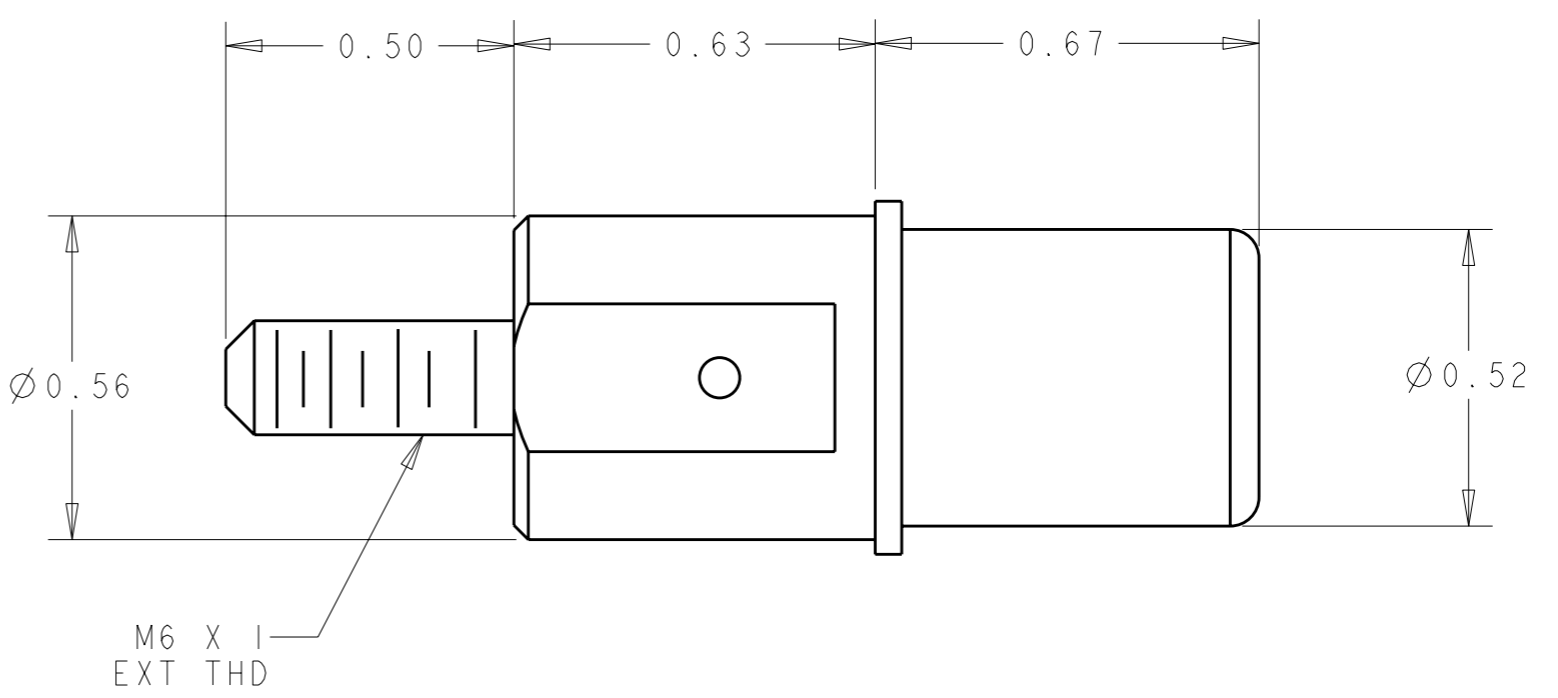
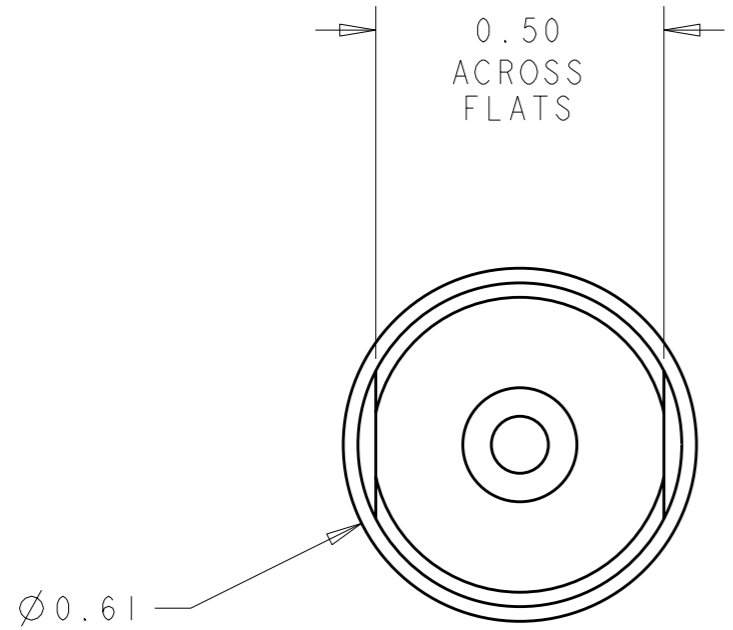
Email & Skype: info@chipsmall.com Web: www.chipsmall.com

Address: A1208, Overseas Decoration Building, #122 Zhenhua RD., Futian, Shenzhen, China



THIS DRAWING IS UNPUBLISHED. RELEASED FOR PUBLICATION 20
 © COPYRIGHT 20 BY TYCO ELECTRONICS CORPORATION. ALL RIGHTS RESERVED.

LOC	DIST	REVISIONS			
P	LTR	DESCRIPTION	DATE	DWN	APVD
-	-	A	NEW RELEASE	22OCT2008	CR DO



1. PART NUMBER CHANGES AND/OR DESIGN CHANGES AFFECTING INTERCHANGEABILITY REQUIRE PRIOR TYCO ELECTRONICS APPROVAL AND AUTHORIZATION BY REVISION TO THIS DRAWING

2. ITEMS PROVIDED TO THIS SPECIFICATION TO BE PERMANENTLY IDENTIFIED PER THE FOLLOWING IDENTIFIER LABEL

TYCO ELECTRONICS P/N: XXXXXXXX-X
 DATE CODE (e.g. 0106): YEAR WEEK

3 MATERIALS:
 CONTACTS: COPPER ALLOY
 CROWN BAND: COPPER ALLOY

4 FINISHES:
 CONTACTS: SILVER PLATE: .000200/.000300 THK OVER
 NICKEL PLATE: .000050 MIN THK
 CROWN BAND: GOLD: .000040 MIN THK OVER
 NICKEL PLATE: .000040 THK

AS SHOWN	6648430-1
DESCRIPTION	PART NO.

THIS DRAWING IS A CONTROLLED DOCUMENT FOR TYCO ELECTRONICS CORPORATION IT IS SUBJECT TO CHANGE AND THE CONTROLLING ENGINEERING ORGANIZATION SHOULD BE CONTACTED FOR THE LATEST REVISION.		DWN C.ROHLER 22OCT2008	Tyco Electronics Harrisburg, PA 17105-3608	
DIMENSIONS: INCHES		CHK D.ORRIS 22OCT2008	NAME CONTACT, SOCKET, SIZE #0 M6 X 1 EXT THD, SINGLE CROWN DRAWER	
TOLERANCES UNLESS OTHERWISE SPECIFIED: 0 PLC ±- 1 PLC ±- 2 PLC ±.01 3 PLC ±.005 4 PLC ±- ANGLES ±.5		APVD M.PERCHERKE 22OCT2008		
MATERIAL 3		FINISH 4	PRODUCT SPEC -	RESTRICTED TO -
MATERIAL 3		FINISH 4	APPLICATION SPEC -	RESTRICTED TO -
MATERIAL 3		FINISH 4	WEIGHT -	RESTRICTED TO -
CUSTOMER DRAWING		SCALE 3:1	SIZE A3	CAGE CODE 00779
CUSTOMER DRAWING		SCALE 3:1	DRAWING NO C-6648430	REV A