



Chipsmall Limited consists of a professional team with an average of over 10 year of expertise in the distribution of electronic components. Based in Hongkong, we have already established firm and mutual-benefit business relationships with customers from,Europe,America and south Asia,supplying obsolete and hard-to-find components to meet their specific needs.

With the principle of “Quality Parts,Customers Priority,Honest Operation,and Considerate Service”,our business mainly focus on the distribution of electronic components. Line cards we deal with include Microchip,ALPS,ROHM,Xilinx,Pulse,ON,Everlight and Freescale. Main products comprise IC,Modules,Potentiometer,IC Socket,Relay,Connector.Our parts cover such applications as commercial,industrial, and automotives areas.

We are looking forward to setting up business relationship with you and hope to provide you with the best service and solution. Let us make a better world for our industry!



Contact us

Tel: +86-755-8981 8866 Fax: +86-755-8427 6832

Email & Skype: info@chipsmall.com Web: www.chipsmall.com

Address: A1208, Overseas Decoration Building, #122 Zhenhua RD., Futian, Shenzhen, China



4

3

2

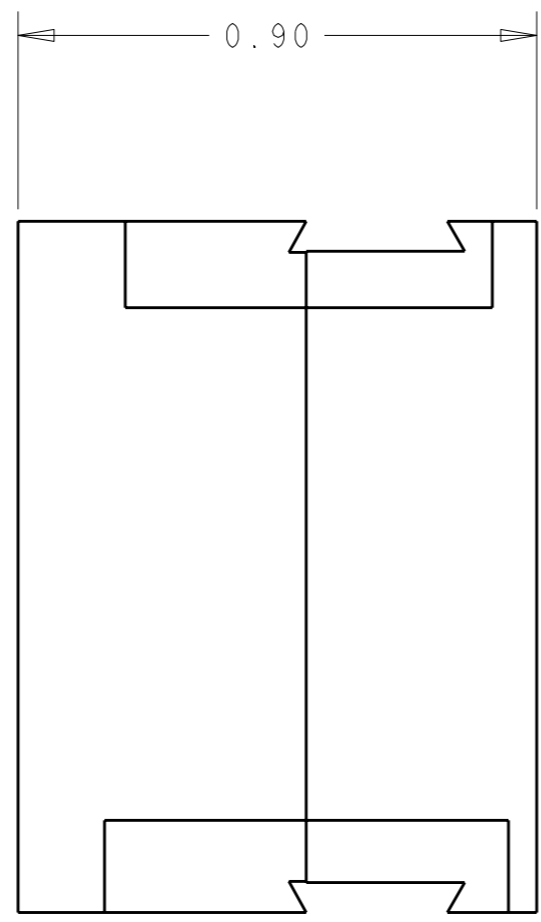
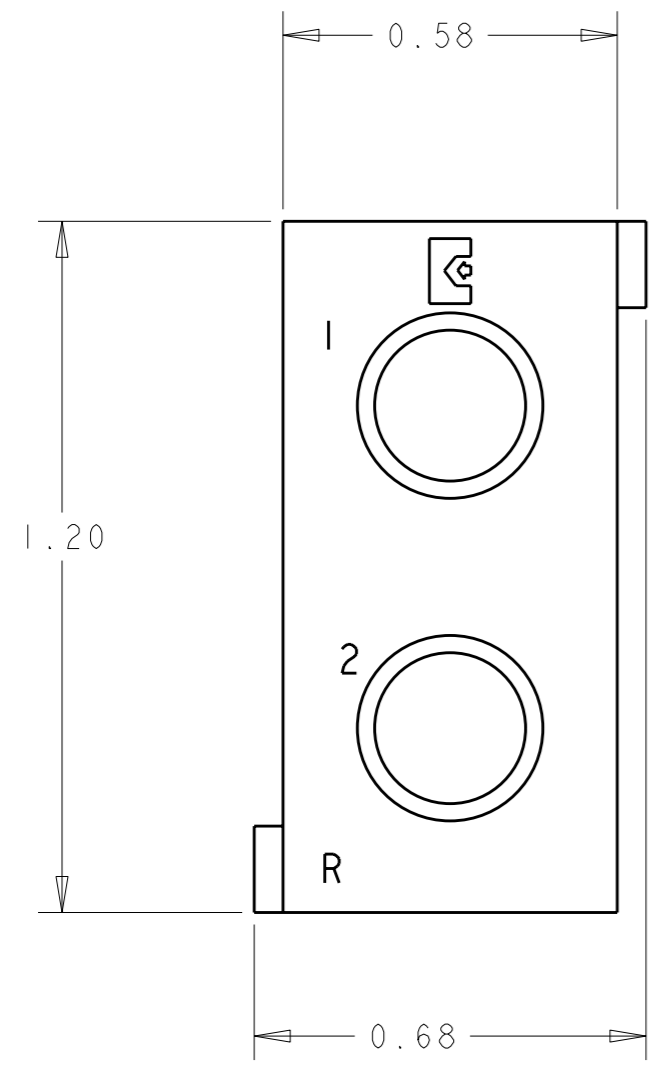
1

THIS DRAWING IS UNPUBLISHED. RELEASED FOR PUBLICATION 20
 © COPYRIGHT 20 BY TYCO ELECTRONICS CORPORATION. ALL RIGHTS RESERVED.

| LOC | | DIST | | REVISIONS | | | |
|-----|-----|-------------|-------------|-----------|-----|------|--|
| P | LTR | DESCRIPTION | | DATE | DWN | APVD | |
| - | - | A | NEW RELEASE | 24OCT2008 | CR | DO | |
| | | | | | | | |
| | | | | | | | |

- PART NUMBER CHANGES AND/OR DESIGN CHANGES AFFECTING INTERCHANGEABILITY REQUIRE PRIOR TYCO ELECTRONICS APPROVAL AND AUTHORIZATION BY REVISION TO THIS DRAWING
- ITEMS PROVIDED TO THIS SPECIFICATION TO BE PERMANENTLY IDENTIFIED PER THE FOLLOWING IDENTIFIER LABEL

YEAR 1 WEEK 1
 TYCO ELECTRONICS P/N DATE CODE (e.g. 0106)
 XXXXXXXX-X XXXX



| | |
|-------------|-----------|
| AS SHOWN | 6648457-1 |
| DESCRIPTION | PART NO. |

| | | | | | | | | | | | | | | | | | | |
|--|-------------|-----------------------------------|---|------------------|----|--------------|------------|---------|----------|-------|----|--------|-----|-------------------|------------|--------------------|-------------------------|--------------------|
| THIS DRAWING IS A CONTROLLED DOCUMENT FOR TYCO ELECTRONICS CORPORATION. IT IS SUBJECT TO CHANGE AND THE CONTROLLING ENGINEERING ORGANIZATION SHOULD BE CONTACTED FOR THE LATEST REVISION. | | DWN C. ROHLER 24OCT2008 | Tyco Electronics Harrisburg, PA 17105-3608 | | | | | | | | | | | | | | | |
| DIMENSIONS: INCHES | | CHK D. ORRIS 24OCT2008 | NAME HOUSING, SOCKET MODULE R DOMINO | | | | | | | | | | | | | | | |
| TOLERANCES UNLESS OTHERWISE SPECIFIED: | | APVD M. PERCHERKE 24OCT2008 | | | | | | | | | | | | | | | | |
| <table border="0"> <tr><td>0 PLC</td><td>±-</td></tr> <tr><td>1 PLC</td><td>±-</td></tr> <tr><td>2 PLC</td><td>±.02</td></tr> <tr><td>3 PLC</td><td>±.010</td></tr> <tr><td>4 PLC</td><td>±-</td></tr> <tr><td>ANGLES</td><td>±.5</td></tr> </table> | | 0 PLC | ±- | 1 PLC | ±- | 2 PLC | ±.02 | 3 PLC | ±.010 | 4 PLC | ±- | ANGLES | ±.5 | PRODUCT SPEC - | SIZE A3 | CAGE CODE 00779 | DRAWING NO C-6648457 | RESTRICTED TO - |
| 0 PLC | ±- | | | | | | | | | | | | | | | | | |
| 1 PLC | ±- | | | | | | | | | | | | | | | | | |
| 2 PLC | ±.02 | | | | | | | | | | | | | | | | | |
| 3 PLC | ±.010 | | | | | | | | | | | | | | | | | |
| 4 PLC | ±- | | | | | | | | | | | | | | | | | |
| ANGLES | ±.5 | | | | | | | | | | | | | | | | | |
| MATERIAL - | FINISH - | APPLICATION SPEC - | WEIGHT - | CUSTOMER DRAWING | | SCALE 3:1 | SHEET 1 | OF 1 | REV A | | | | | | | | | |

ELCON **DOMINO**