



Chipsmall Limited consists of a professional team with an average of over 10 year of expertise in the distribution of electronic components. Based in Hongkong, we have already established firm and mutual-benefit business relationships with customers from,Europe,America and south Asia,supplying obsolete and hard-to-find components to meet their specific needs.

With the principle of “Quality Parts,Customers Priority,Honest Operation,and Considerate Service”,our business mainly focus on the distribution of electronic components. Line cards we deal with include Microchip,ALPS,ROHM,Xilinx,Pulse,ON,Everlight and Freescale. Main products comprise IC,Modules,Potentiometer,IC Socket,Relay,Connector.Our parts cover such applications as commercial,industrial, and automotives areas.

We are looking forward to setting up business relationship with you and hope to provide you with the best service and solution. Let us make a better world for our industry!



## Contact us

Tel: +86-755-8981 8866 Fax: +86-755-8427 6832

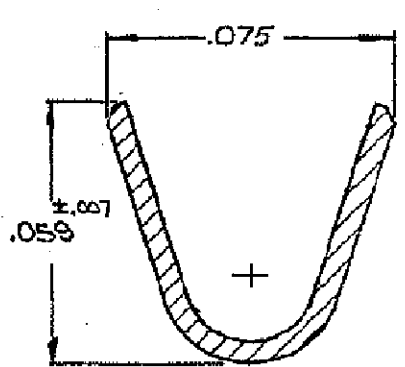
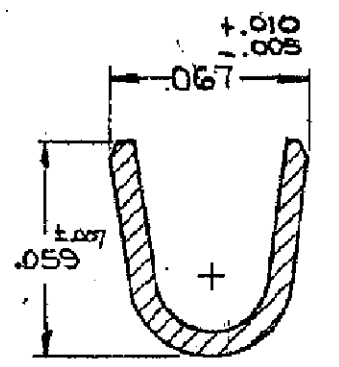
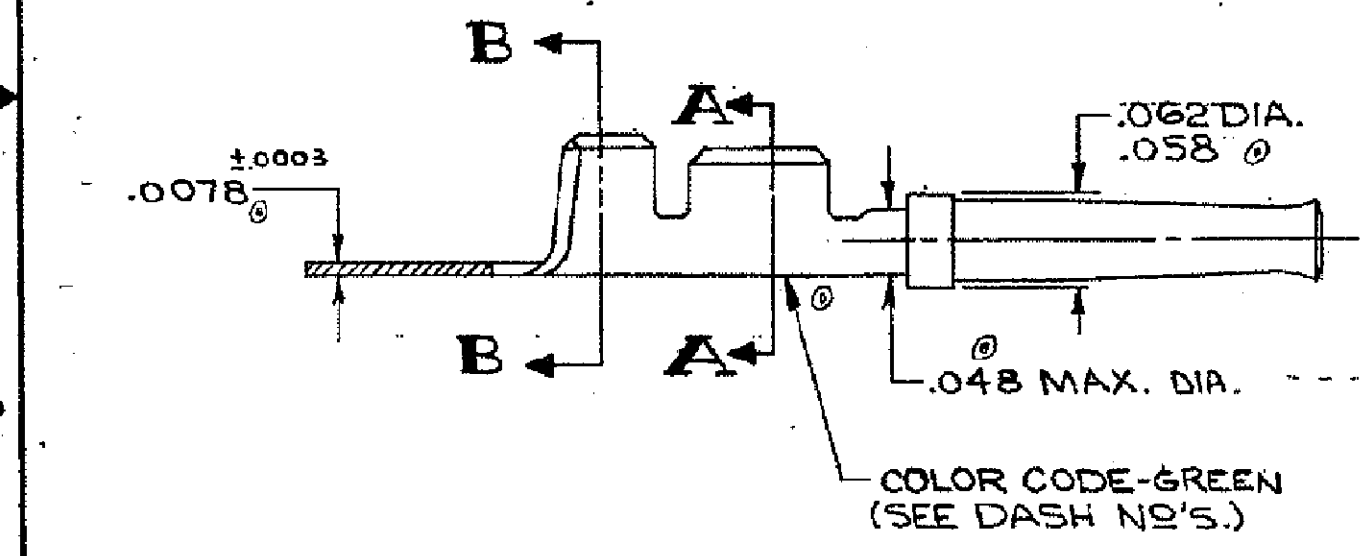
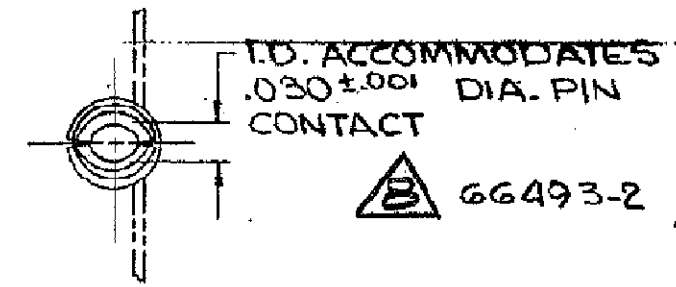
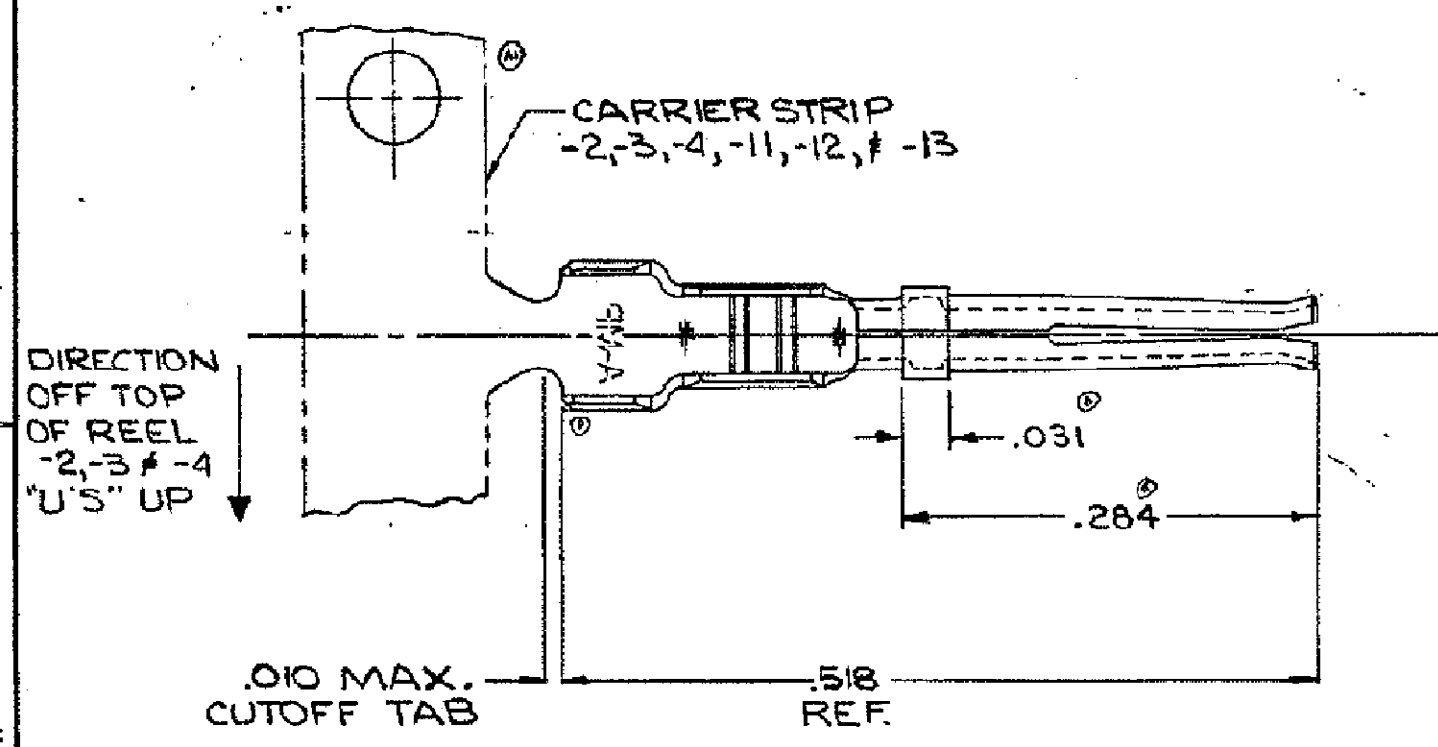
Email & Skype: info@chipsmall.com Web: www.chipsmall.com

Address: A1208, Overseas Decoration Building, #122 Zhenhua RD., Futian, Shenzhen, China



© 1972 BY AMP INCORPORATED. ALL RIGHTS RESERVED. AMP PRODUCTS COVERED BY PATENTS AND/OR PATENTS PENDING.

ZONE	LTR	DESCRIPTION	DATE	APPROVED
M		OBS -2 PER ECN BD6171	6-19-92	JS
N		OBS -8 PER EC Q020-781-95	7-18-94	JS
P		OBS -2 PER EC QUID-0225-00	7-28-00	JK
R		SUPERSEDED -9 PER EC QUID-0226-00	24SEP01	JG



- △ 66493-2 1. AS SHOWN.  
2. PLATED .000050 GOLD OVER .000050 NICKEL.
- 66493-3 1. SAME AS -2 EXCEPT:  
2. PLATED SEL. .000030 GOLD PER MIL-G-45204 FOR .150/100 LENGTH FROM MATING END WITH REMAINDER OF CONTACT GOLD FLASHED PER MIL-G-45204. ENTIRE CONTACT UNDERPLATED WITH .000050 NICKEL PER QQ-N-290.
- ~~△ 66493-4~~ 1. SAME AS -2 EXCEPT:  
2. PLATED GOLD FLASH PER MIL-G-45204 OVER .000030 NICKEL PER QQ-N-290.
- △ 66493-8 1. SAME AS -2 EXCEPT:  
2. LOOSE PIECE, COLOR CODED: GREEN.
- △ 66493-9 1. SAME AS -3 EXCEPT:  
2. LOOSE PIECE, COLOR CODED: GREEN.
- ~~△ 66493-0~~ 1. SAME AS -4 EXCEPT:  
2. LOOSE PIECE, COLOR CODED: GREEN.
- △ 1-66493-1 1. SAME AS -2 EXCEPT:  
2. REVERSE REEL.
- △ 1-66493-2 1. SAME AS -3 EXCEPT:  
2. REVERSE REEL.
- ~~△ 1-66493-3~~ 1. SAME AS -4 EXCEPT:  
2. REVERSE REEL.

- 1. WIRE RANGE: 22-28 AWG.
- 2. INSULATION RANGE: .030-.040.
- 3. WILL ACCEPT (2) #28 GA. WIRES.
- 4. ENGAGEMENT FORCE MAX. OF 12 OZ. W/.031 DIA. PIN PER MS3197-22Y1 AND WITHDRAWAL FORCE OF 0.6 OZ. W/.029 DIA. PIN PER MS3197-22X1 AFTER CONDITIONING.

- △ -4 SUPERSEDED BY -3
- △ 1-0 SUPERSEDED BY -9
- △ 1-3 SUPERSEDED BY 1--2
- △ OBSOLETE PART NUMBER
- △ -9 SUPERSEDED BY -3

UNLESS OTHERWISE SPECIFIED, DIMENSIONS ARE IN INCHES. TOLERANCES ON DECIMALS ±.005 ANGLES ± .5°	CONTRACT NO.	AMP INCORPORATED HARRISBURG, PENNSYLVANIA	
	DR M. Matthews 9/24/72	NAME CONTACT SOCKET, SIZE 22, OPEN BARREL	
MATERIAL COPPER ALLOY PER QQ-B-750	CHK C. Snyder 9/24/72	SIZE	CODE IDENT NO.
	APPR D. B. 9/26/72	C	00779
DSGN-APPR	OTHER APPR	NUMBER	66493
SCALE: 20-1		SHEET 1 OF 1	

CUSTOMER DRAWING