



Chipsmall Limited consists of a professional team with an average of over 10 year of expertise in the distribution of electronic components. Based in Hongkong, we have already established firm and mutual-benefit business relationships with customers from,Europe,America and south Asia,supplying obsolete and hard-to-find components to meet their specific needs.

With the principle of “Quality Parts,Customers Priority,Honest Operation,and Considerate Service”,our business mainly focus on the distribution of electronic components. Line cards we deal with include Microchip,ALPS,ROHM,Xilinx,Pulse,ON,Everlight and Freescale. Main products comprise IC,Modules,Potentiometer,IC Socket,Relay,Connector.Our parts cover such applications as commercial,industrial, and automotives areas.

We are looking forward to setting up business relationship with you and hope to provide you with the best service and solution. Let us make a better world for our industry!



Contact us

Tel: +86-755-8981 8866 Fax: +86-755-8427 6832

Email & Skype: info@chipsmall.com Web: www.chipsmall.com

Address: A1208, Overseas Decoration Building, #122 Zhenhua RD., Futian, Shenzhen, China



THIS DRAWING IS UNPUBLISHED. RELEASED FOR PUBLICATION
 © COPYRIGHT - By - ALL RIGHTS RESERVED.

LOC	DIST	REVISIONS					
		P	LTR	DESCRIPTION	DATE	DWN	APVD
-	-	A1		REVISED PER ECO-11-005150	21MAR11	RK	HMR

8. PART NUMBER INFORMATION

CONNECTOR	TE CONNECTIVITY PART NUMBER	ELCON PART NUMBER	TERMINATION TYPE	PC TAIL LENGTH DIM "A"	RECOMMENDED MOUNTING BOARD	MATING BOARD
SOCKET	6650384-1	286-0052-12101	SOLDER TAIL (SHORT)	3.56 [.140] 2.54 [.100]	1.6 [.062] THICK	1.6 [.062] THICK
SOCKET	6650384-2	286-0052-11301	SOLDER TAIL COMPLIANT	5.08 [.200] 4.06 [.160]	3.2 [.125] OR THINNER	1.6 [.062] THICK
SOCKET	6650384-3	287-0032-12301	SOLDER TAIL (STANDARD)	5.08 [.200] 4.06 [.160]	3.2 [.125] OR THINNER	1.6 [.062] THICK

NOTES: UNLESS OTHERWISE SPECIFIED;

1. PART NUMBER CHANGES AND OR DESIGN CHANGES AFFECTING ITEM INTERCHANGEABILITY REQUIRE PRIOR ELCON APPROVAL AND AUTHORIZATION BY REVISION TO THIS DRAWING.

2. MATERIALS:

INSULATORS: THERMOPLASTIC, GLASS REINFORCED, COLOR-BLACK, UL94V-0 FLAMMABILITY RATED.

CONTACTS: PHOSPHOR-BRONZE ALLOY.

3. FINISHES:

CONTACTS: SELECTIVE GOLD PLATE PER MIL-G-45204 TYPE II, GRADE C, CLASS 0. 000030" MIN. THK, OVER NICKEL PER QQ-N-290, CLASS 2, .000040" MIN. THICKNESS.

TERMINALS: TIN PLATED, MATTE FINISH, .000100" MINIMUM THICKNESS.

4 SOCKETS ACCEPT 1.6 [.062] ± 10% THK PC BOARD.

5 EXAMPLE PCB CONFIGURATION.

6 THIS 3 X 2 SEGMENT CONFIGURATION SHOWN IS FOR REFERENCE ONLY. COMBINATION OF MULTIPLE NUMBERS OF 2 AND 3 SEGMENT MODULES COULD BE USED PER USER PREFERENCE. OVERALL COMBINATION SHOULD NOT EXCEED 8" IN LENGTH.


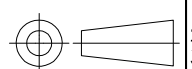
7 ITEMS PROVIDED TO THIS SPECIFICATION TO BE PERMANENTLY IDENTIFIED PER THE FOLLOWING IDENTIFIER:

YEAR WEEK

ELCON PART NO. & REV DATE CODE (e.g. 0505)

XXX-XXXX-XXXXX []

XXXX

THIS DRAWING IS A CONTROLLED DOCUMENT.		DWN R. F. A. 01/05/05	 TE Connectivity		
DIMENSIONS: mm[INCHES]		CHK -			
		TOLERANCES UNLESS OTHERWISE SPECIFIED:		SOCKET CONNECTOR, CROWN EDGE	
		0 PLC ± - 1 PLC ± 0.5[0.020] 2 PLC ± 0.25[0.010] 3 PLC ± - 4 PLC ± - ANGLES ± 0.5°		6 POSITION POWER, STRAIGHT	
MATERIAL -		FINISH -		PN: 286-0052-1**01A	
		APVD D. CHAU 01/06/05		SIZE	RESTRICTED TO
		PRODUCT SPEC -		CAGE CODE	
		APPLICATION SPEC -		DRAWING NO	
		WEIGHT -		A3	
		CUSTOMER DRAWING		00779	
				C=6650384	
				SCALE	
				2:1	
				SHEET	
				1 OF 5	
				REV	
				A1	

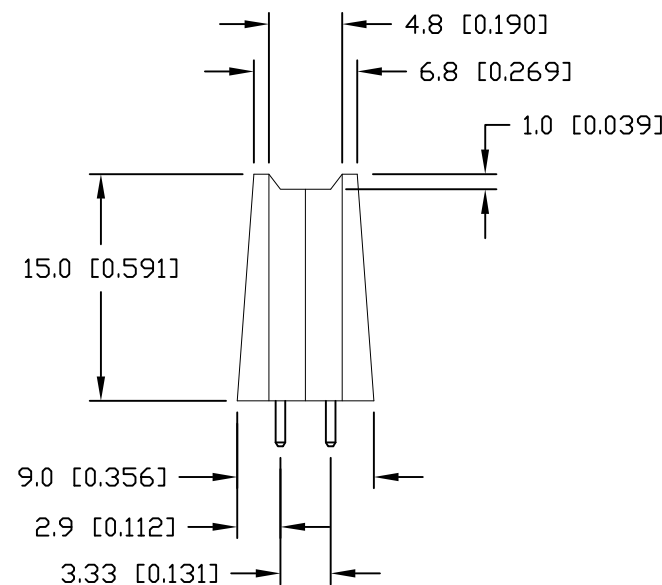
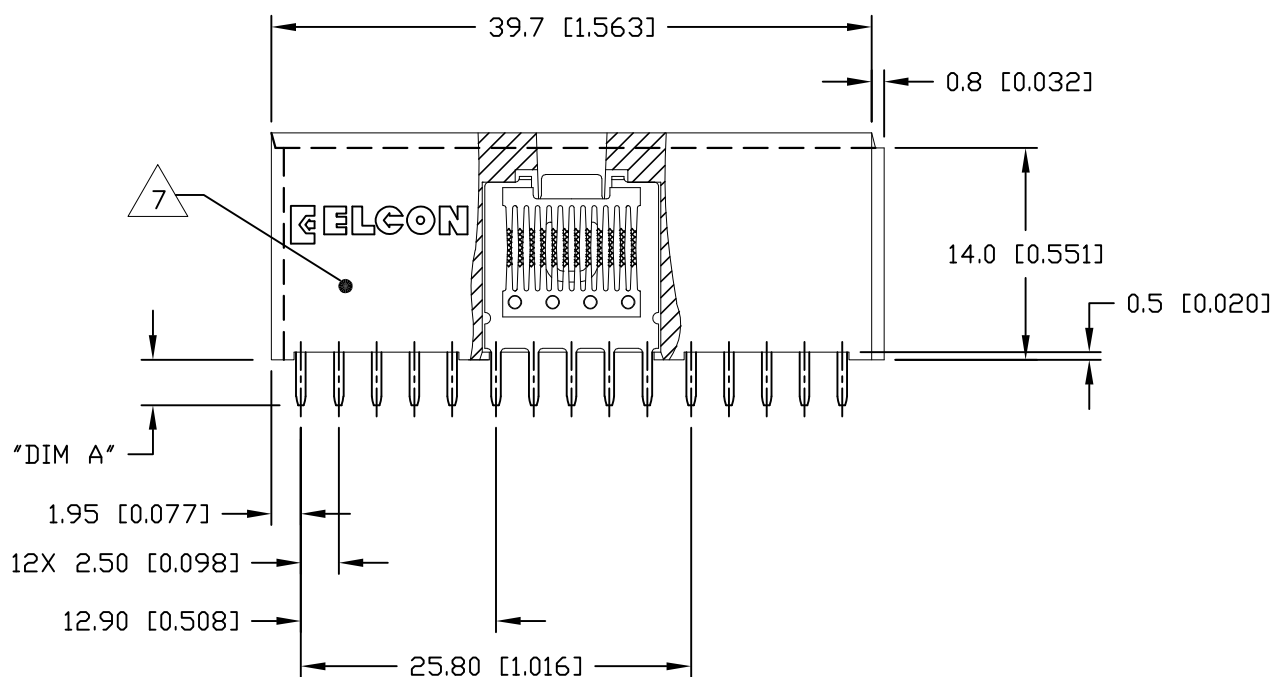
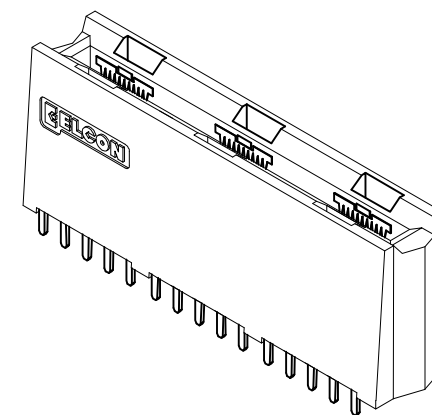
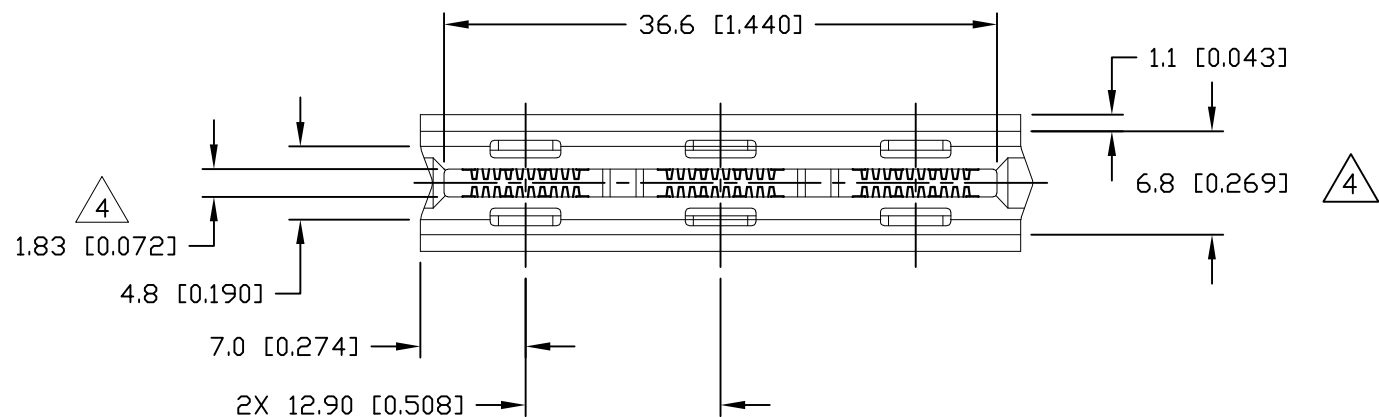
THIS DRAWING IS UNPUBLISHED.


RELEASED FOR PUBLICATION

© COPYRIGHT - By -

ALL RIGHTS RESERVED.

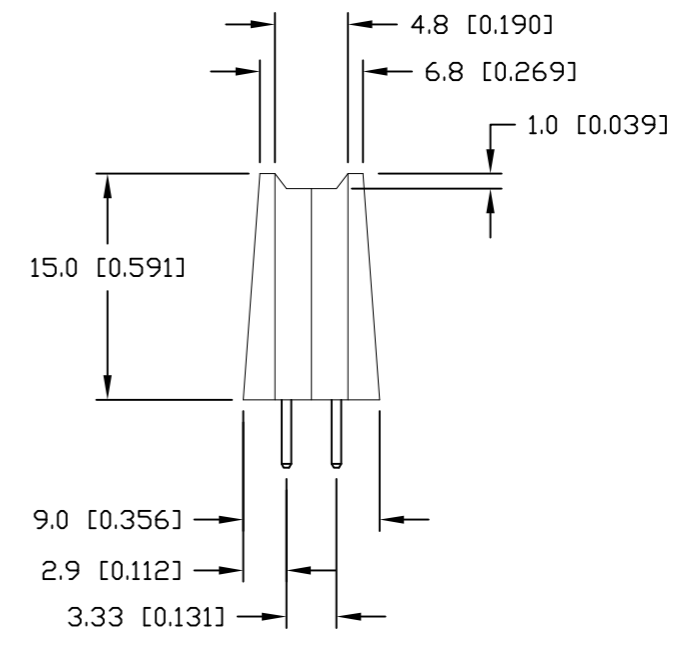
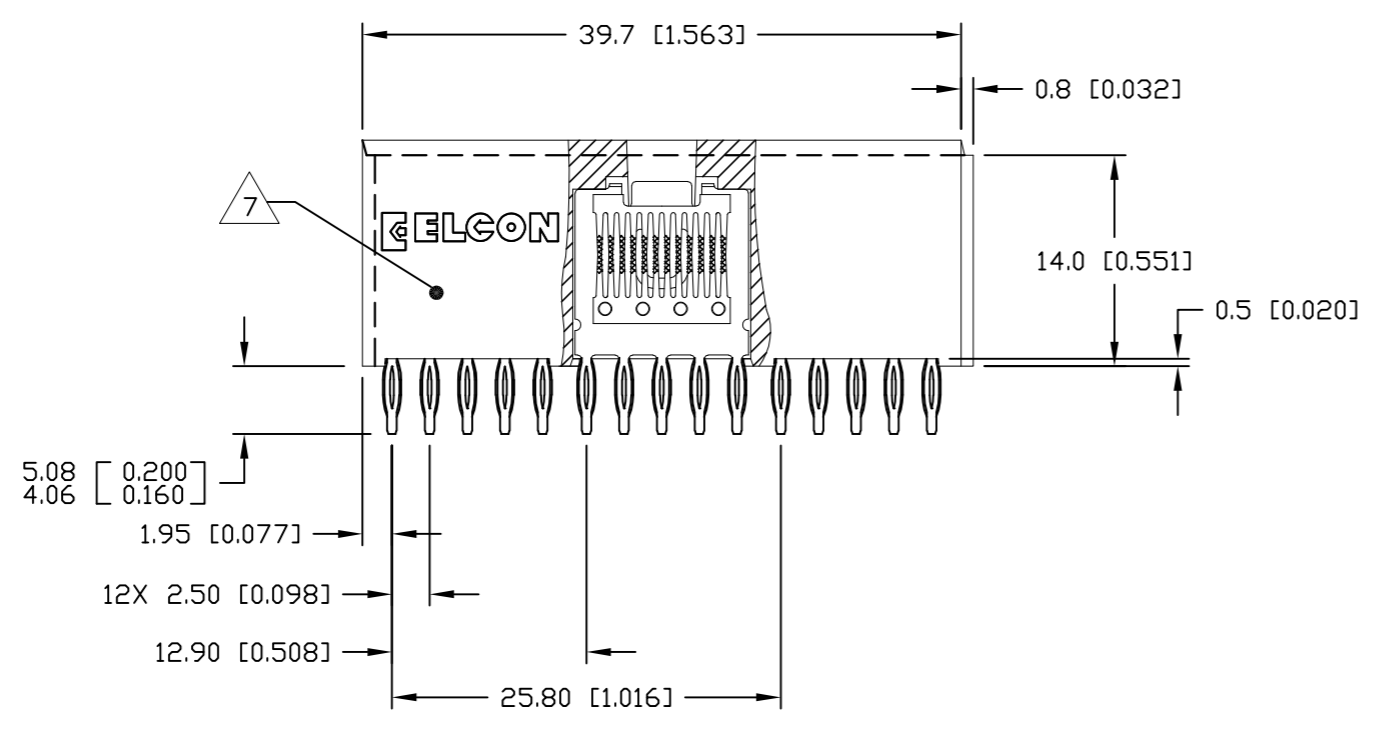
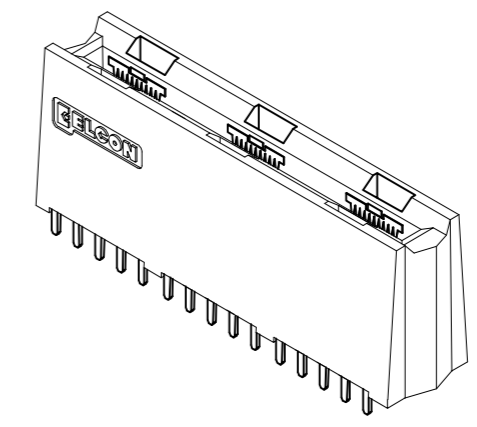
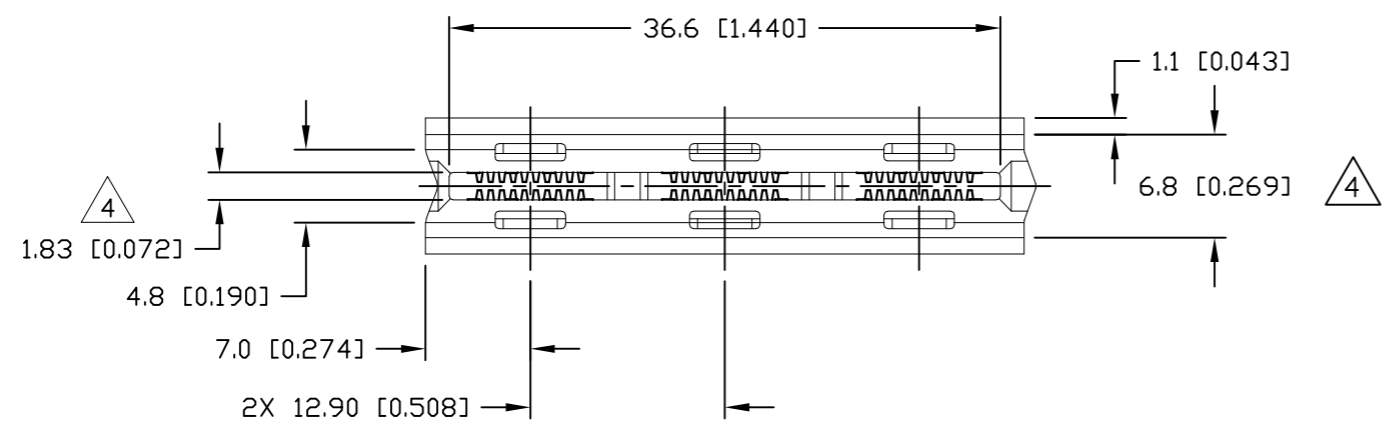
LOC	DIST	REVISIONS					
		P	LTR	DESCRIPTION	DATE	DWN	APVD
-	-	-	-	SEE SHEET 1	-	-	-




THIS DRAWING IS A CONTROLLED DOCUMENT.		DWN R. F. A.	01/05/05	 TE Connectivity				
DIMENSIONS: mm[INCHES]		CHK -	-					
TOLERANCES UNLESS OTHERWISE SPECIFIED:		APVD D. CHAU	01/06/05	NAME				
<ul style="list-style-type: none"> 0 PLC ± - 1 PLC ± 0.5[0.020] 2 PLC ± 0.25[0.010] 3 PLC ± - 4 PLC ± - ANGLES ± 0.5° 		PRODUCT SPEC		SOCKET CONNECTOR, CROWN EDGE 6 POSN POWER, STRAIGHT, SOLDER TAILS PN: 286-0052-12101A				
MATERIAL		FINISH		APPLICATION SPEC	SIZE	CAGE CODE	DRAWING NO	RESTRICTED TO
-		-		WEIGHT	-	A3	00779	C-6650384
CUSTOMER DRAWING				SCALE	2:1	SHEET	2 OF 5	REV A1

THIS DRAWING IS UNPUBLISHED. RELEASED FOR PUBLICATION
 © COPYRIGHT - By - ALL RIGHTS RESERVED.

LOC	DIST	REVISIONS					
		P	LTR	DESCRIPTION	DATE	DWN	APVD
-	-	-	-	SEE SHEET 1	-	-	-



THIS DRAWING IS A CONTROLLED DOCUMENT.		DWN R. F. A.	01/05/05	 TE Connectivity	
DIMENSIONS: mm[INCHES]		CHK -	-		
TOLERANCES UNLESS OTHERWISE SPECIFIED:		APVD D. CHAU	01/06/05	NAME	
0 PLC ± - 1 PLC ± 0.5[0.020] 2 PLC ± 0.25[0.010] 3 PLC ± - 4 PLC ± - ANGLES ± 0.5°		PRODUCT SPEC		SOCKET CONNECTOR, CROWN EDGE 6 POSN PWR, STRAIGHT, COMPLIANT TAILS PN: 286-0052-11301A	
MATERIAL		FINISH		SIZE	RESTRICTED TO
-		-		A3	-
		WEIGHT		CAGE CODE	DRAWING NO
		-		00779	C-6650384
CUSTOMER DRAWING				SCALE	SHEET
				2:1	3 of 5
				REV	A1

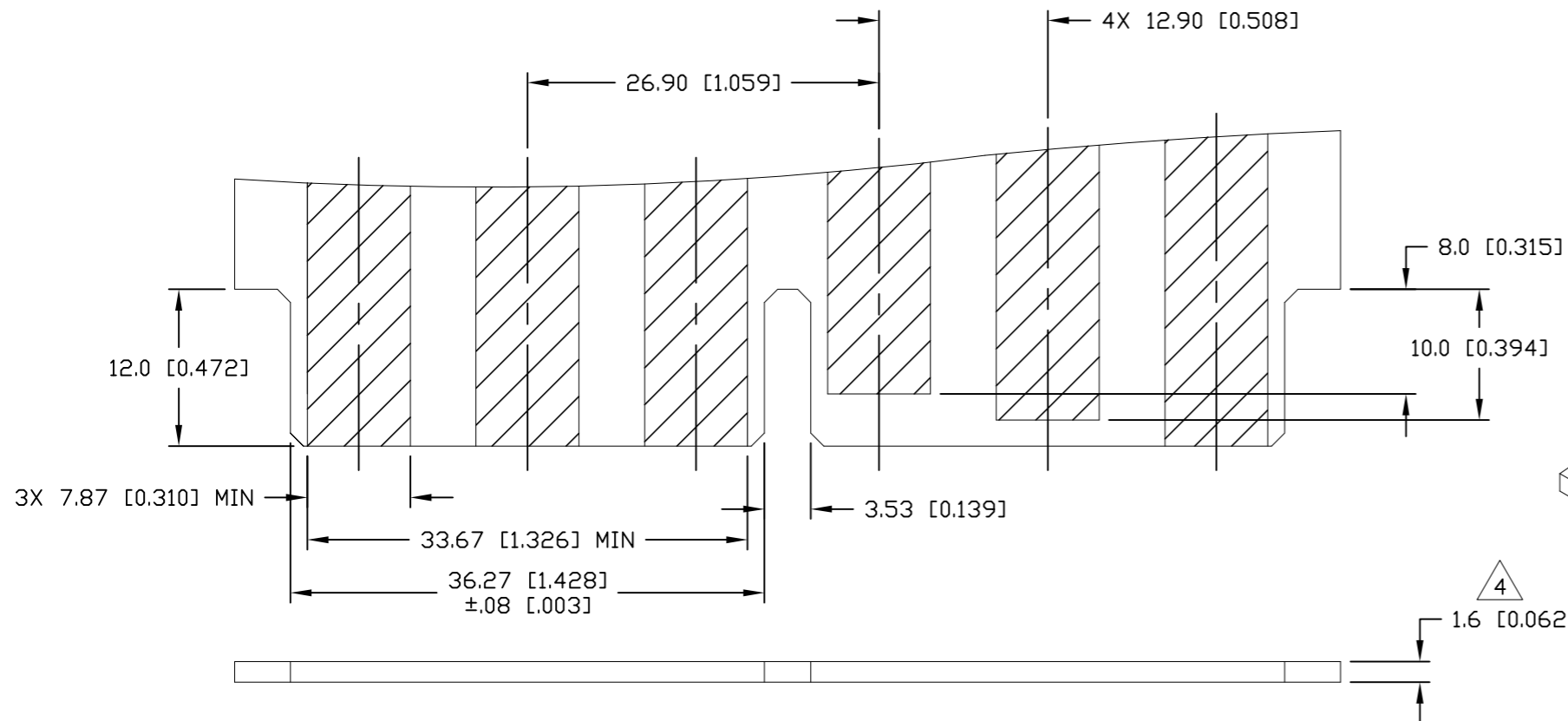
THIS DRAWING IS UNPUBLISHED.

RELEASED FOR PUBLICATION

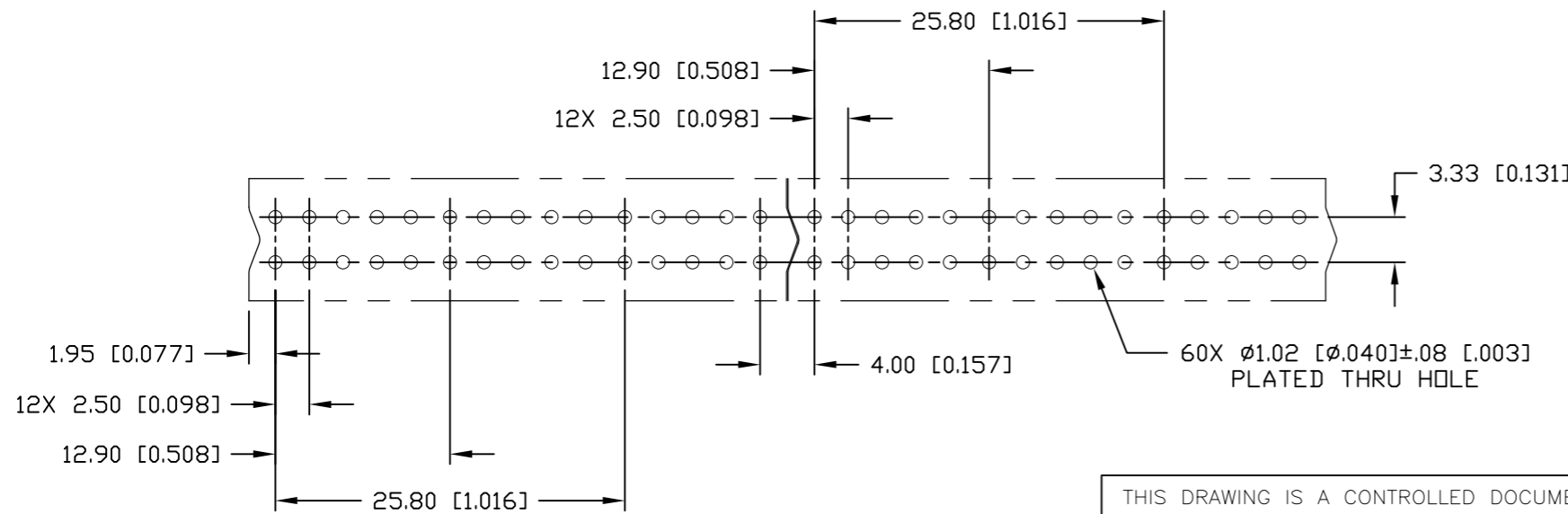
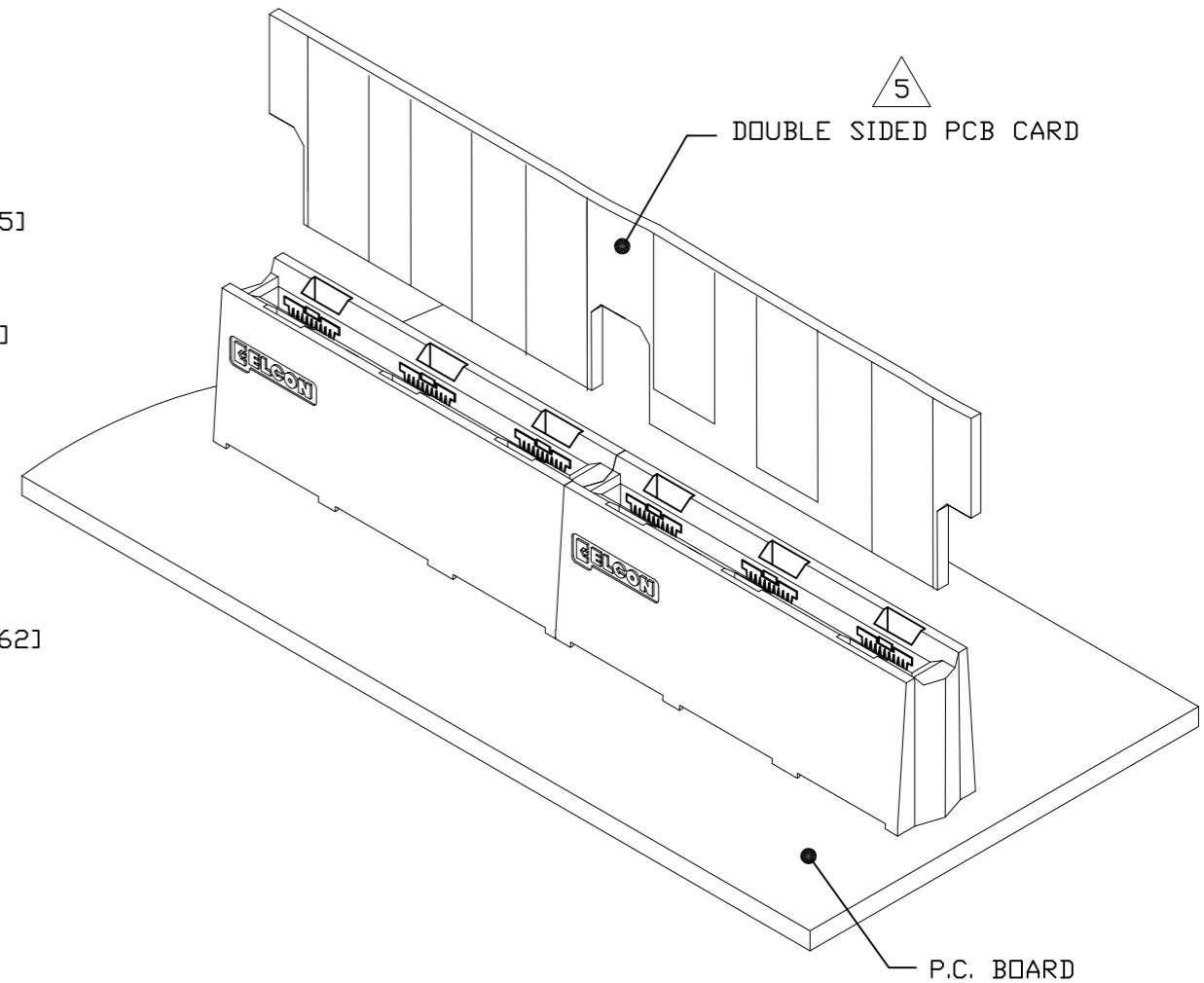
ALL RIGHTS RESERVED.

© COPYRIGHT - By -


LOC	DIST	REVISIONS			
P	LTR	DESCRIPTION	DATE	DWN	APVD
-	-	SEE SHEET 1	-	-	-



6 DOUBLE SIDED P.C.B. CARD

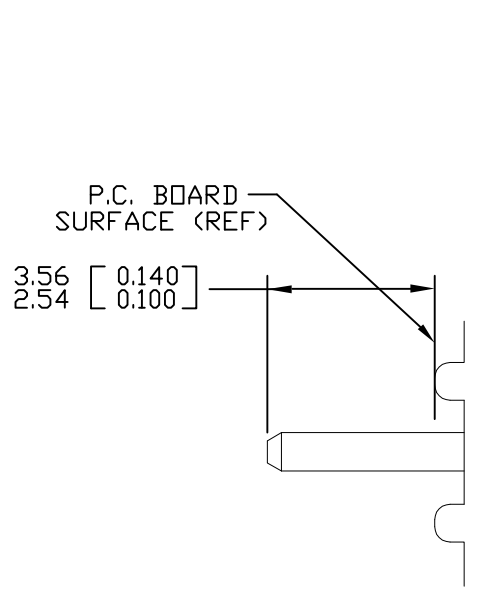


6 RECOMMENDED P.C. BOARD LAYOUT

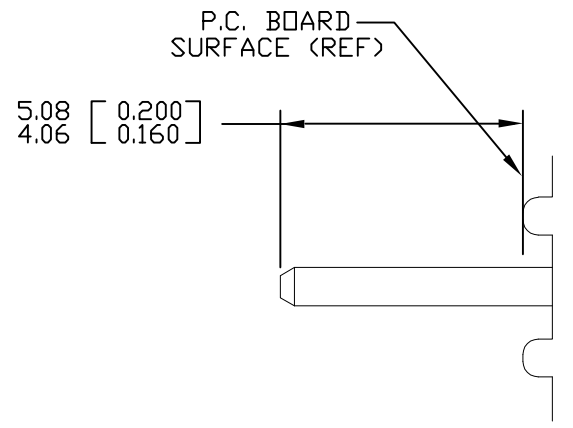
THIS DRAWING IS A CONTROLLED DOCUMENT.		DWN R. F. A.	01/05/05	 TE Connectivity	
DIMENSIONS: mm[INCHES]		CHK -	-		
TOLERANCES UNLESS OTHERWISE SPECIFIED:		APVD D. CHAU	01/06/05	NAME	
0 PLC ± -		PRODUCT SPEC		RECOMMENDED PCB LAYOUT	
1 PLC ± 0.5[0.020]		APPLICATION SPEC		PN: 286-0052-12101A/-12301A	
2 PLC ± 0.25[0.010]		WEIGHT		PN: 286-0052-11301A	
3 PLC ± -		CUSTOMER DRAWING		SIZE	RESTRICTED TO
4 PLC ± -		SCALE		A3	-
ANGLES ± 0.5°		SHEET		00779	4 of 5
FINISH		DRAWING NO		C-6650384	REV
MATERIAL		SCALE		2:1	A1

THIS DRAWING IS UNPUBLISHED. RELEASED FOR PUBLICATION
 © COPYRIGHT - By - ALL RIGHTS RESERVED.

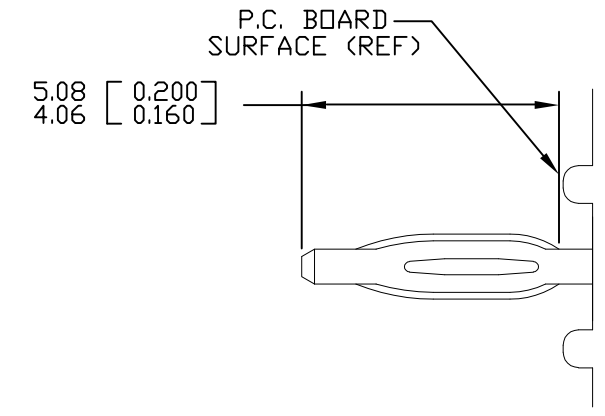
LOC	DIST	REVISIONS					
		P	LTR	DESCRIPTION	DATE	DWN	APVD
-	-	-	-	SEE SHEET 1	-	-	-



SOLDER PIN DETAIL



SOLDER PIN DETAIL




COMPLIANT PIN DETAIL

INSERTION/EXTRACTION FORCES
 MAXIMUM PUSH-IN: 133.3N PER PIN [30 LBS]
 MINIMUM PUSH-OUT: 44.4N PER PIN [10 LBS]

RECOMMENDED PRINTED CIRCUIT HOLE

FINISHED HOLE: $\phi 1.02$ [.040] ± 0.08 [.003]
 DRILLED HOLE: $\phi 1.15$ [.0453] ± 0.013 [.0005]
 COPPER PLATE: .025 [.0010] MINIMUM (PER SURFACE)
 TIN PLATE: .008 [.0003] MINIMUM (PER SURFACE)

THIS DRAWING IS A CONTROLLED DOCUMENT.		DWN R. F. A.	01/05/05	 TE Connectivity			
DIMENSIONS: mm[INCHES]		CHK -	-				
TOLERANCES UNLESS OTHERWISE SPECIFIED:		APVD D. CHAU	01/06/05	NAME			
0 PLC $\pm -$ 1 PLC ± 0.5 [0.020] 2 PLC ± 0.25 [0.010] 3 PLC $\pm -$ 4 PLC $\pm -$ ANGLES $\pm 0.5^\circ$		PRODUCT SPEC		SOCKET CONNECTOR, CROWN EDGE USER INFORMATION SOLDER & COMPLIANT TAILS TERMINATION			
MATERIAL		APPLICATION SPEC		SIZE	CAGE CODE	DRAWING NO	RESTRICTED TO
FINISH		WEIGHT		A3	00779	C-6650384	-
CUSTOMER DRAWING				SCALE	SHEET	REV	
				2:1	5 OF 5	A1	