



Chipsmall Limited consists of a professional team with an average of over 10 year of expertise in the distribution of electronic components. Based in Hongkong, we have already established firm and mutual-benefit business relationships with customers from,Europe,America and south Asia,supplying obsolete and hard-to-find components to meet their specific needs.

With the principle of “Quality Parts,Customers Priority,Honest Operation,and Considerate Service”,our business mainly focus on the distribution of electronic components. Line cards we deal with include Microchip,ALPS,ROHM,Xilinx,Pulse,ON,Everlight and Freescale. Main products comprise IC,Modules,Potentiometer,IC Socket,Relay,Connector.Our parts cover such applications as commercial,industrial, and automotives areas.

We are looking forward to setting up business relationship with you and hope to provide you with the best service and solution. Let us make a better world for our industry!



Contact us

Tel: +86-755-8981 8866 Fax: +86-755-8427 6832

Email & Skype: info@chipsmall.com Web: www.chipsmall.com

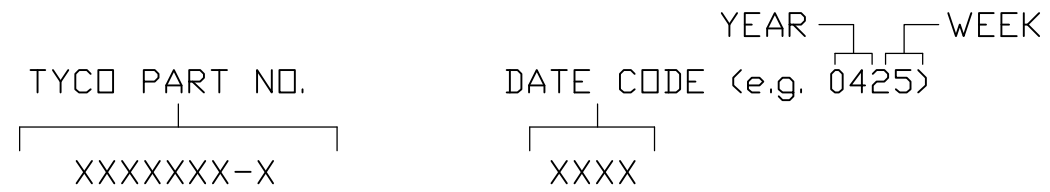
Address: A1208, Overseas Decoration Building, #122 Zhenhua RD., Futian, Shenzhen, China



THIS DRAWING IS UNPUBLISHED. RELEASED FOR PUBLICATION
 © COPYRIGHT - BY TYCO ELECTRONICS CORPORATION. ALL RIGHTS RESERVED.

LOC	DIST	REVISIONS					
GP	00	P	LTR	DESCRIPTION	DATE	DWN	APVD
			A	RELEASED	24MAY06	RG	SF

- 9. RECOMMENDED MOUNTING PCB 2.3 [0.93] MIN THK.
- 8. ITEMS PROVIDED TO THIS SPECIFICATION TO BE PERMANENTLY IDENTIFIED PER THE FOLLOWING IDENTIFIER:



- 7. RECOMMENDED PRESSING TOOL:
 FIX00001 FOR PART NUMBER 6650494-1.
 CONTACT TYCO FOR TOOLING DRAWINGS.
- 6. EXAMPLE PCB CONFIGURATION.
- 5. THIS CONFIGURATION WITH 3 SEGMENT POWER CONNECTOR (PN 6650383-X) IS SHOWN FOR REFERENCE ONLY. COMBINATION OF MULTIPLE NUMBERS OF 2 AND 3 SEGMENT MODULES COULD BE USED PER USER PREFERENCE. OVERALL COMBINATION SHOULD NOT EXCEED 8.0" IN LENGTH.
- 4. SOCKETS ACCEPT 1.6 [0.62] ±10% THICK PC BOARD.

- 3. FINISHES:
 CONTACTS: SELECTIVE GOLD .000030" MIN THK. OVER NICKEL .000040" MIN THK.
 TERMINALS: TIN .000100" MIN THK. OVER NICKEL .000040" MIN. THICK.

- 2. MATERIALS:
 INSULATORS: THERMOPLASTIC, GLASS REINFORCED, COLOR-BLACK, UL94V-0 FLAMMABILITY RATED.
 CONTACTS: PHOSPHOR BRONZE ALLOY

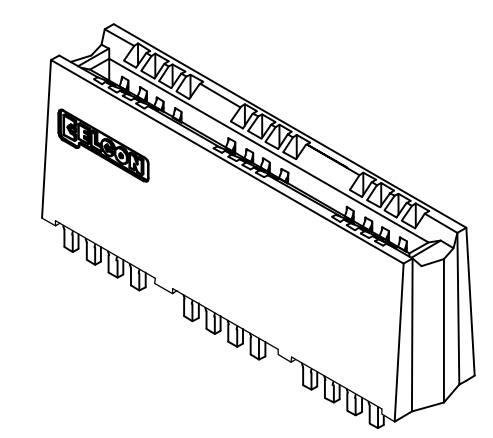
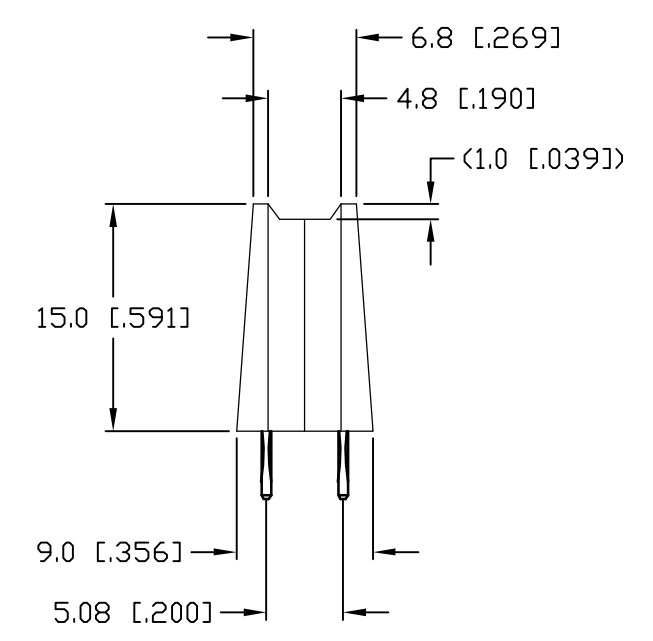
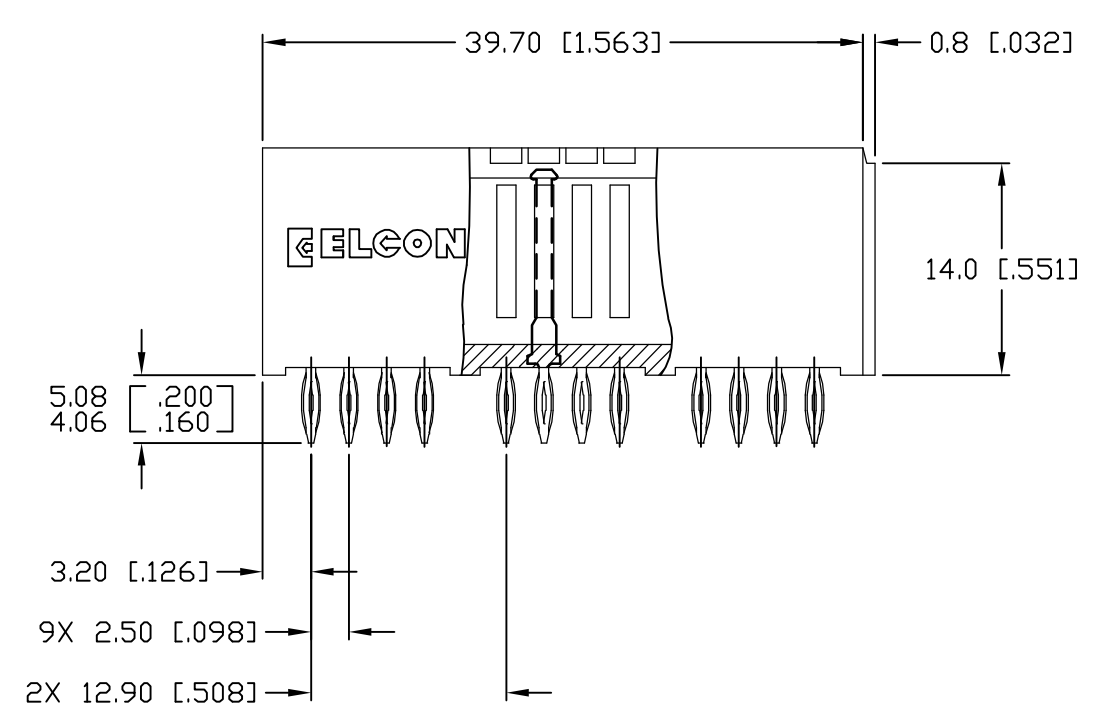
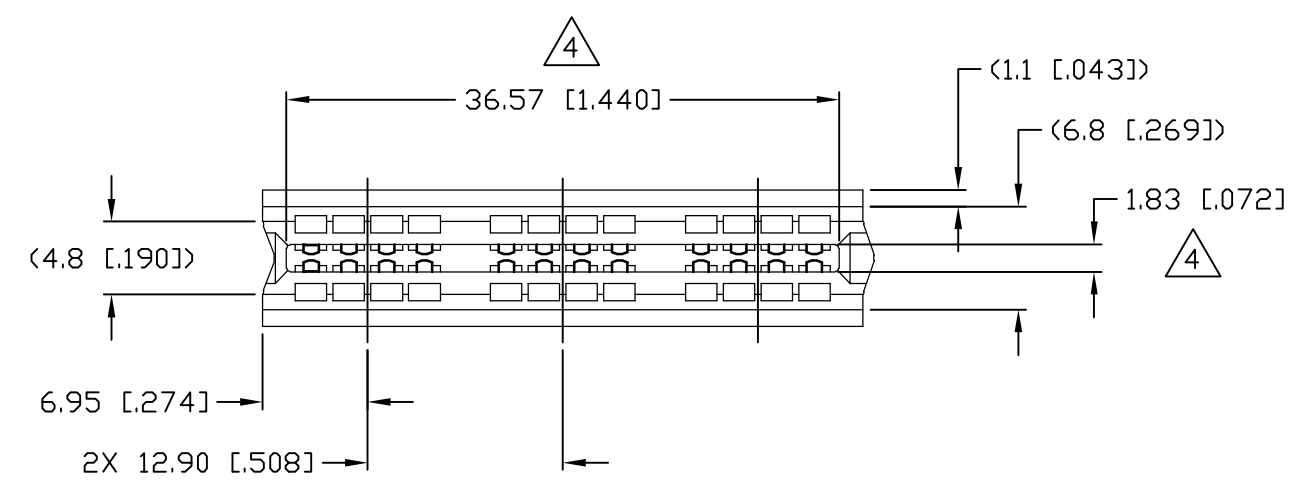
1. PART NUMBER CHANGES AND OR DESIGN CHANGES AFFECTING ITEM INTERCHANGEABILITY REQUIRE PRIOR TYCO APPROVAL AND AUTHORIZATION BY REVISION TO THIS DRAWING.

AS SHOWN	6650494-1
DESCRIPTION	PART NUMBER

THIS DRAWING IS A CONTROLLED DOCUMENT.		DWN R.GRZYBOWSKI 24MAY06	Tyco Electronics Corporation Harrisburg, PA 17105-3608	
DIMENSIONS: mm		CHK S.FLICKINGER 24MAY06		
		APVD S.FLICKINGER 24MAY06	NAME	
TOLERANCES UNLESS OTHERWISE SPECIFIED:		PRODUCT SPEC	SOCKET CONNECTOR, CROWNEDGE STRAIGHT, 3 SEGMENTS, 16 SIGNAL, COMPLIANT	
0 PLC ± -		APPLICATION SPEC	SIZE	RESTRICTED TO
1 PLC ± .5 [.020]		—	CAGE CODE	
2 PLC ± .25 [.010]		—	DRAWING NO	
3 PLC ± -		—	SCALE	
4 PLC ± -		—	SHEET	
ANGLES ± .5		—	REV	
MATERIAL	FINISH	WEIGHT	DRAWING NO	
—	—	—	A3 00779 C-6650494	
CUSTOMER DRAWING			SCALE 2:1	SHEET 1 OF 4

THIS DRAWING IS UNPUBLISHED. RELEASED FOR PUBLICATION
 © COPYRIGHT BY TYCO ELECTRONICS CORPORATION. ALL RIGHTS RESERVED.

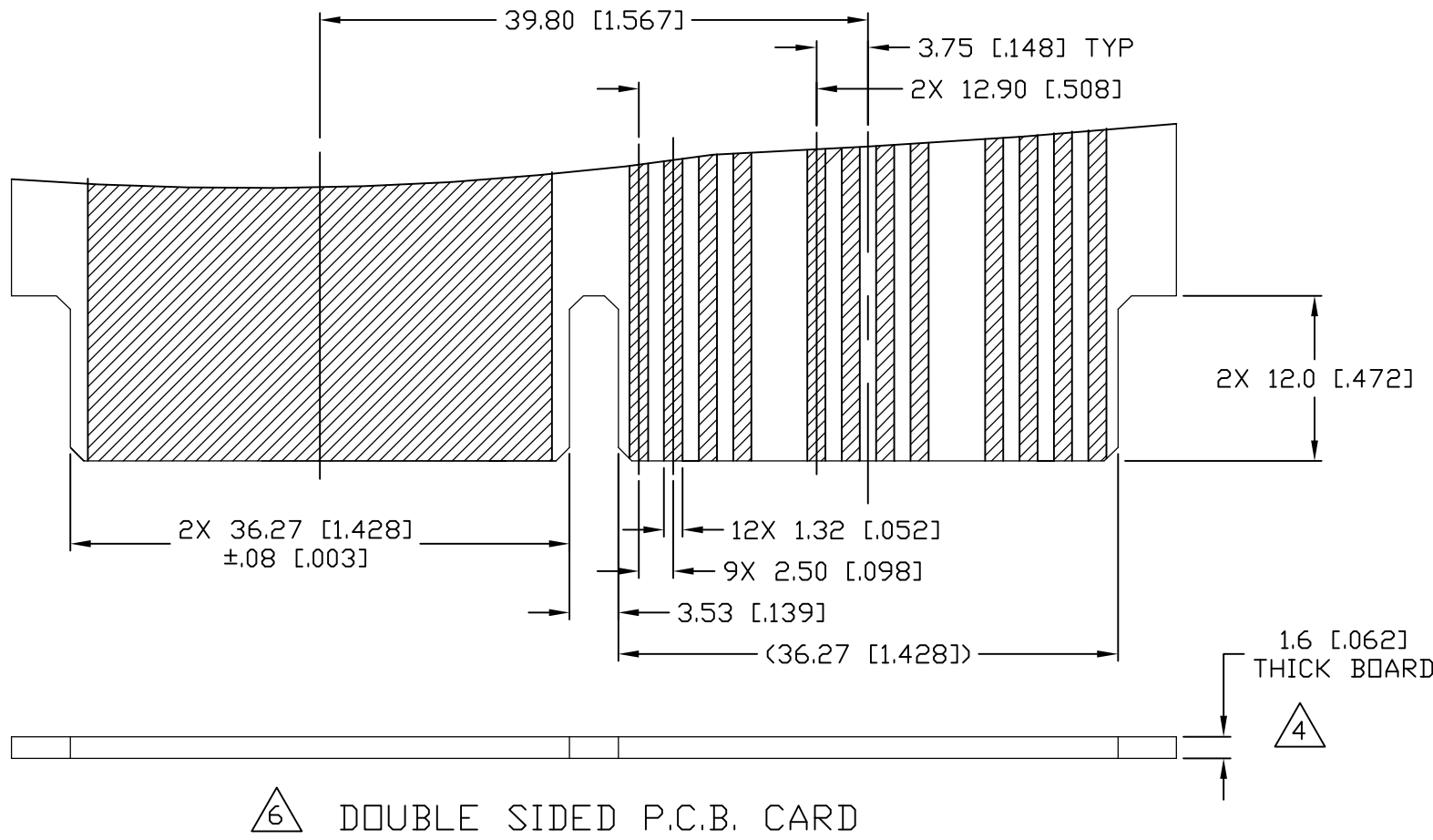
LOC	DIST	REVISIONS					
GP	00	P	LTR	DESCRIPTION	DATE	DWN	APVD
		-		SEE SHEET 1	-	-	-



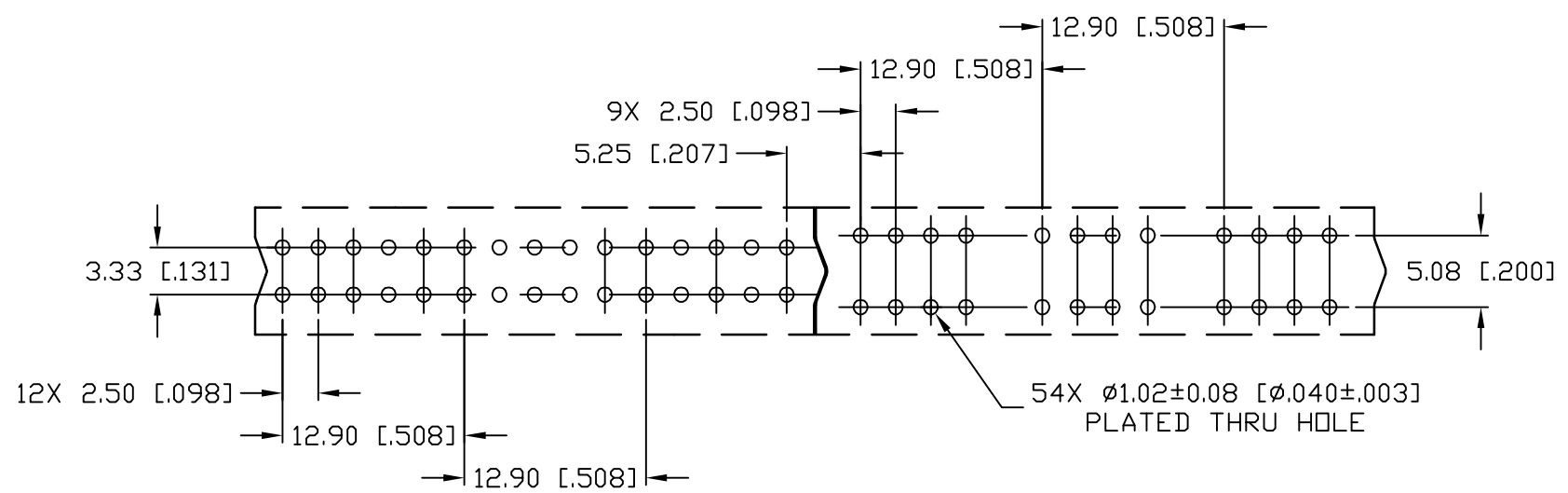
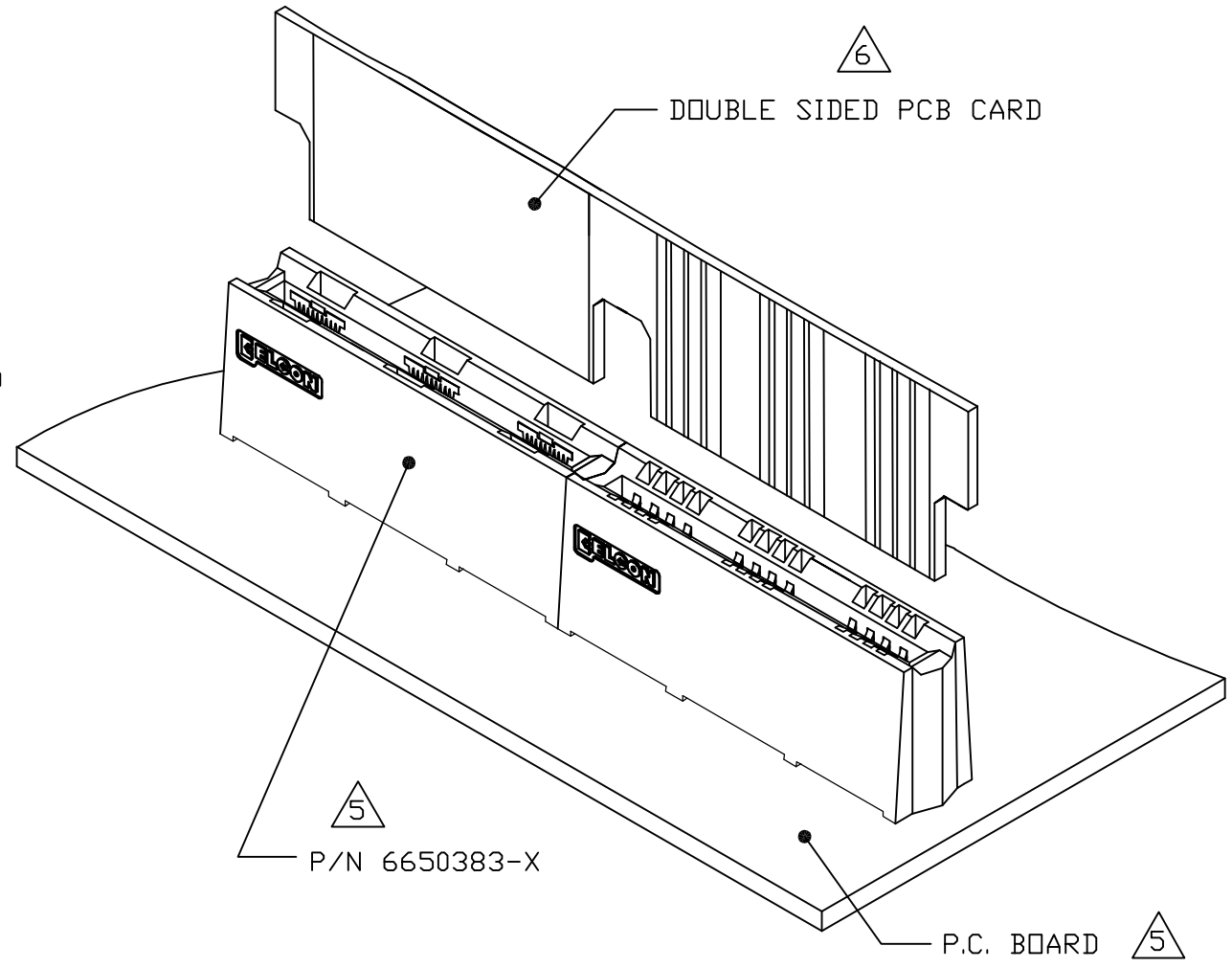
THIS DRAWING IS A CONTROLLED DOCUMENT.		DWN R.GRZYBOWSKI	24MAY06	Tyco Electronics Corporation Harrisburg, PA 17105-3608	
DIMENSIONS: mm		CHK S.FLICKINGER	24MAY06		
TOLERANCES UNLESS OTHERWISE SPECIFIED:		APVD S.FLICKINGER	24MAY06	NAME SOCKET CONNECTOR, CROWNEDGE STRAIGHT, 3 SEGMENTS, 16 SIGNAL, COMPLIANT	
0 PLC ± - 1 PLC ± .5 [.020] 2 PLC ± .25 [.010] 3 PLC ± - 4 PLC ± - ANGLES ± .5		PRODUCT SPEC -		DRAWING NO A300779 C-6650494	
MATERIAL -		FINISH -		RESTRICTED TO -	
CUSTOMER DRAWING				SCALE 2:1	SHEET 2 OF 4
				REV A	

THIS DRAWING IS UNPUBLISHED. RELEASED FOR PUBLICATION
 © COPYRIGHT - BY TYCO ELECTRONICS CORPORATION. ALL RIGHTS RESERVED.

LOC	DIST	REVISIONS					
GP	00	P	LTR	DESCRIPTION	DATE	DWN	APVD
		-		SEE SHEET 1	-	-	-



△ 6 DOUBLE SIDED P.C.B. CARD

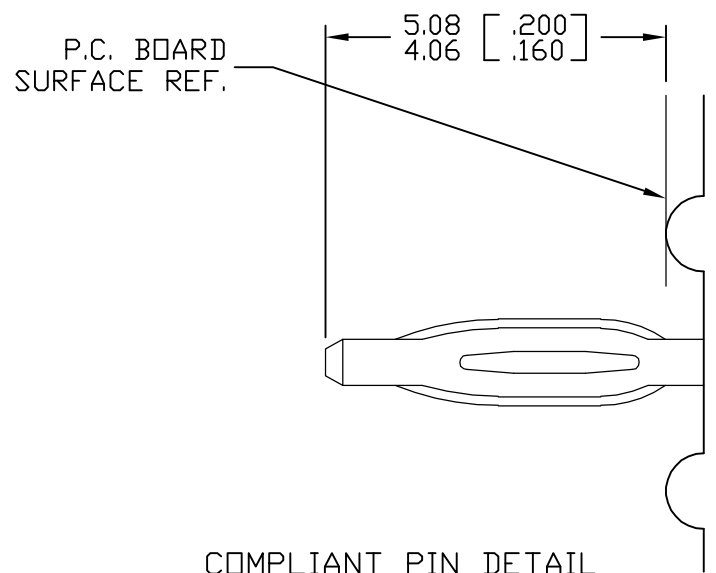


△ 5 RECOMMENDED P.C. BOARD LAYOUT

THIS DRAWING IS A CONTROLLED DOCUMENT.		DWN R.GRZYBOWSKI 24MAY06	Tyco Electronics Corporation Harrisburg, PA 17105-3608	
DIMENSIONS: mm		CHK S.FLICKINGER 24MAY06	NAME	
TOLERANCES UNLESS OTHERWISE SPECIFIED:		APVD S.FLICKINGER 24MAY06	SOCKET CONNECTOR, CROWNEDGE STRAIGHT, 3 SEGMENTS, 16 SIGNAL, COMPLIANT	
0 PLC ± -		PRODUCT SPEC -	SIZE A3	CAGE CODE 00779
1 PLC ± .5 [.020]		APPLICATION SPEC -	DRAWING NO C-6650494	RESTRICTED TO -
2 PLC ± .25 [.010]		WEIGHT -	SCALE 2:1	SHEET 3 OF 4
3 PLC ± -		CUSTOMER DRAWING	REV A	
4 PLC ± -				
ANGLES ± .5				
FINISH -				

THIS DRAWING IS UNPUBLISHED. RELEASED FOR PUBLICATION
 © COPYRIGHT - BY TYCO ELECTRONICS CORPORATION. ALL RIGHTS RESERVED.

LOC	DIST	REVISIONS			
P	LTR	DESCRIPTION	DATE	DWN	APVD
GP	00	SEE SHEET 1	-	-	-



COMPLIANT PIN DETAIL
 SCALE: 10 : 1
 INSERTION/EXTRACTION FORCES
 MAXIMUM PUSH IN: 133.3N PER PIN
 [30 LBS]
 MINIMUM PUSH OUT: 44.4N PER PIN
 [10 LBS]

RECOMMENDED PRINTED CIRCUIT HOLE
 COMPLIANT PRESS FIT
 FINISHED HOLE: $\phi 1.02$ [.040] $\pm .08$ [.003]
 DRILLED HOLE: $\phi 1.15$ [.0453] $\pm .013$ [.0005]
 COPPER PLATE: .025 [.0010] MINIMUM (PER SURFACE)
 TIN PLATE: .008 [.0003] MINIMUM (PER SURFACE)

THIS DRAWING IS A CONTROLLED DOCUMENT.		DWN R.GRZYBOWSKI 24MAY06	Tyco Electronics Corporation Harrisburg, PA 17105-3608		
DIMENSIONS: mm		CHK S.FLICKINGER 24MAY06	NAME		
		APVD S.FLICKINGER 24MAY06	SOCKET CONNECTOR, CROWNEDGE STRAIGHT, 3 SEGMENTS, 16 SIGNAL, COMPLIANT		
TOLERANCES UNLESS OTHERWISE SPECIFIED:		PRODUCT SPEC	SIZE	CAGE CODE	DRAWING NO
0 PLC	$\pm -$	APPLICATION SPEC	A3	00779	C-6650494
1 PLC	$\pm .5$ [.020]	WEIGHT	RESTRICTED TO		
2 PLC	$\pm .25$ [.010]		-		
3 PLC	$\pm -$	CUSTOMER DRAWING	SCALE	SHEET	REV
4 PLC	$\pm -$		2:1	4 OF 4	A
ANGLES	$\pm .5$				
MATERIAL	FINISH				
-	-				