



Chipsmall Limited consists of a professional team with an average of over 10 year of expertise in the distribution of electronic components. Based in Hongkong, we have already established firm and mutual-benefit business relationships with customers from,Europe,America and south Asia,supplying obsolete and hard-to-find components to meet their specific needs.

With the principle of “Quality Parts,Customers Priority,Honest Operation,and Considerate Service”,our business mainly focus on the distribution of electronic components. Line cards we deal with include Microchip,ALPS,ROHM,Xilinx,Pulse,ON,Everlight and Freescale. Main products comprise IC,Modules,Potentiometer,IC Socket,Relay,Connector.Our parts cover such applications as commercial,industrial, and automotives areas.

We are looking forward to setting up business relationship with you and hope to provide you with the best service and solution. Let us make a better world for our industry!



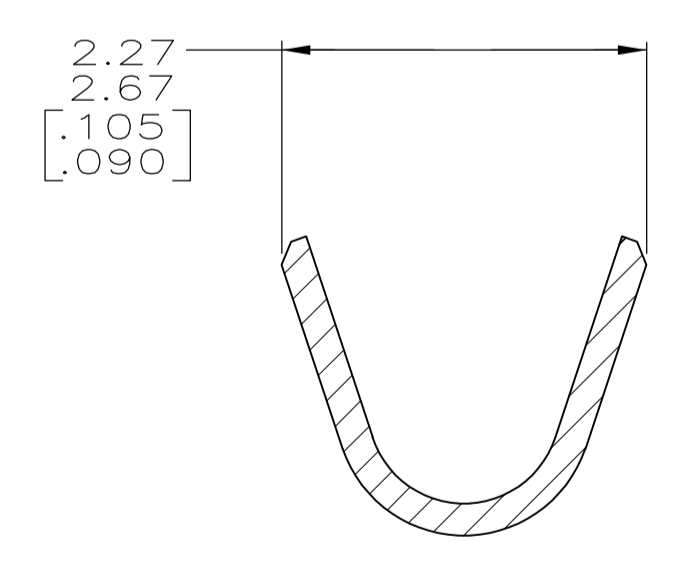
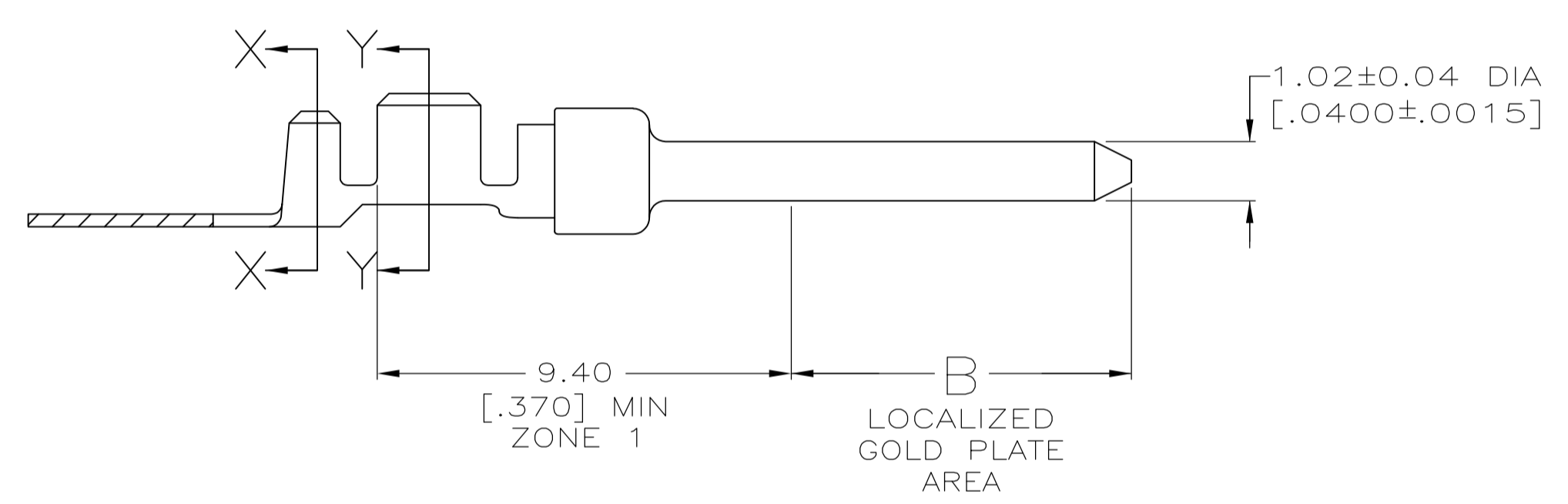
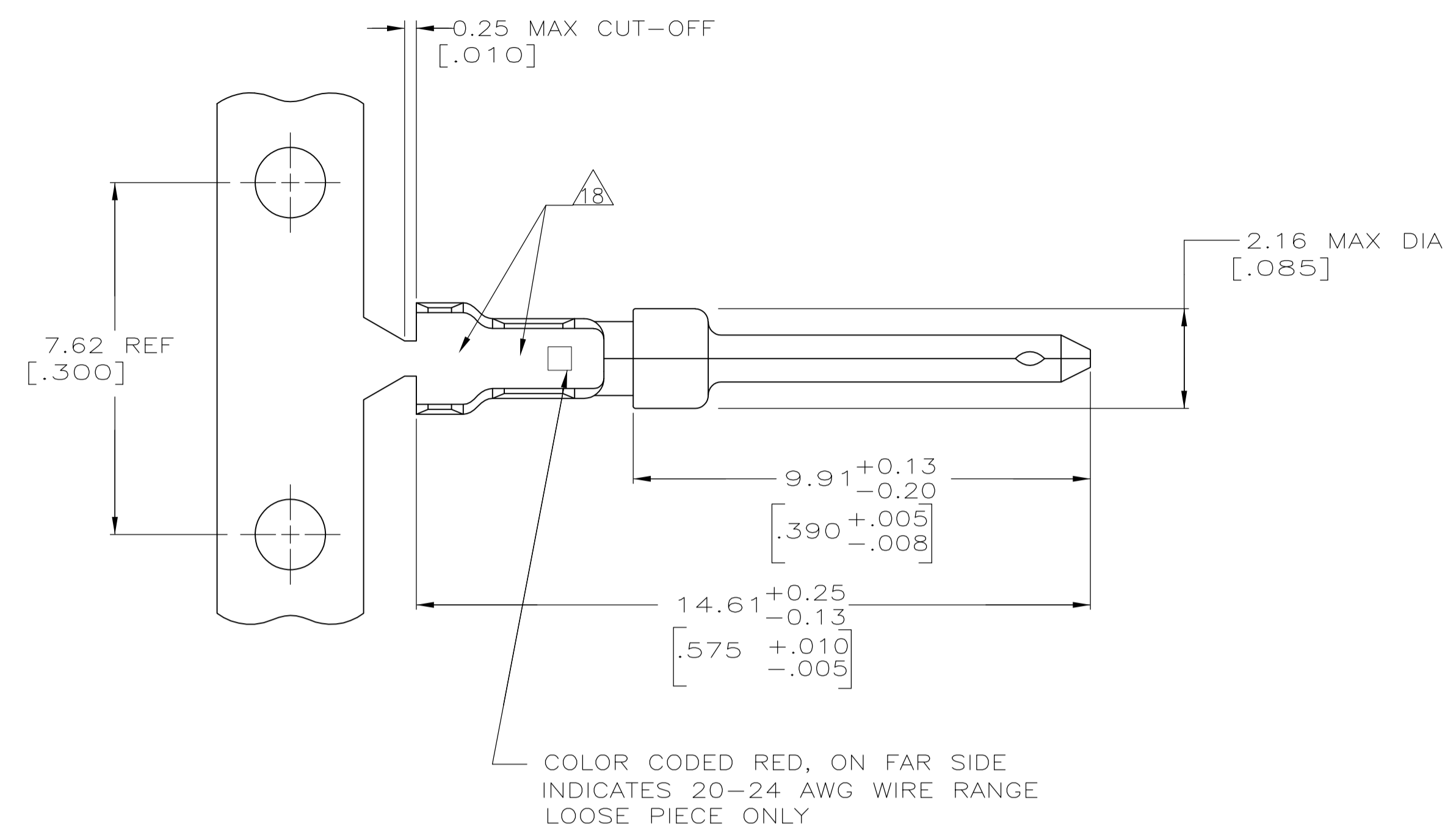
Contact us

Tel: +86-755-8981 8866 Fax: +86-755-8427 6832

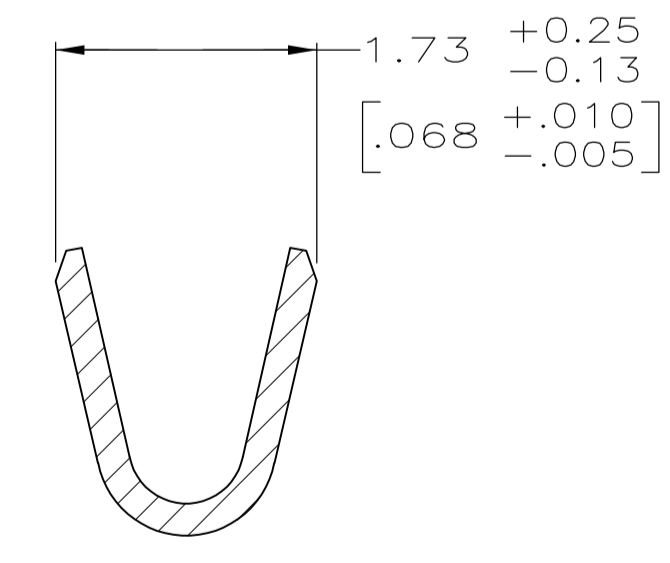
Email & Skype: info@chipsmall.com Web: www.chipsmall.com

Address: A1208, Overseas Decoration Building, #122 Zhenhua RD., Futian, Shenzhen, China





SECTION X-X
INSULATION BARREL
SCALE 20:1



SECTION Y-Y
WIRE BARREL
SCALE 20:1

- 1 FOR MINI-APPLICATOR AND STRIPPER CRIMPER.
- 2 FOR HAND TOOL USE ONLY.
- 3 FOR STANDARD APPLICATOR PART #566171 ONLY.
- 4. WIRE RANGE OF 20-24 AWG. INSULATION RANGE OF 1.27/1.52 [.050-.060].
- 5. GOLD PLATING MAY NOT APPEAR ON CARRIER STRIP. NICKEL UNDERPLATE COVERS ENTIRE CONTACT.
- 6 GOLD PLATING PER MIL-G-45204. NICKEL PLATING PER QQ-N-290. TIN PLATING PER MIL-T-10727. COPPER PLATING PER MIL-C-14550.
- 7 PLATED, 1.27[m [.000050] MIN GOLD ON LOCALIZED GOLD PLATE AREA AND ZONE 1 OVER 1.27[m [.000050] MIN NICKEL.
- 8 GOLD PLATED IN LOCALIZED GOLD PLATE AREA AS FOLLOWS:
0.76µm [.000030] MIN GOLD IN MATED AREA, GOLD FLASH ON REMAINDER OF LOCALIZED GOLD PLATE AREA AND ZONE 1 OF CONTACT, ALL OVER 1.27µm [.000050] MIN NICKEL UNDERPLATE.
OR
GOLD FLASH OVER PALLADIUM-NICKEL PLATE, 0.76µm [.000030] MIN TOTAL IN MATED AREA, GOLD FLASH ON REMAINDER OF LOCALIZED GOLD PLATE AREA AND ZONE 1 OF CONTACT, ALL OVER 1.27µm [.000050] MIN NICKEL UNDERPLATE.
- 9 PLATED WITH GOLD FLASH ON LOCALIZED GOLD PLATE AREA AND ZONE 1 OVER 0.76[m [.000030] MIN NICKEL.
- 10 PLATED WITH 2.54[m - 5.08[m [.000100 - .000200] TIN.
- 11 GOLD PLATED IN LOCALIZED GOLD PLATED AREA, 0.76[m [.000030] GOLD IN MATED AREA, TIN PLATED WIRE BARRELS, OVER 1.27[m [.000050] NICKEL.
- 12 PLATED WITH GOLD FLASH IN LOCALIZED GOLD PLATE AREA, TIN PLATED WIRE BARRELS, OVER 0.76[m [.000030] NICKEL.
- 13 GOLD PLATED IN LOCALIZED GOLD PLATE AREA, 0.38[m [.000015] GOLD IN MATED AREA, GOLD FLASH ON REMAINDER, OVER 1.27[m [.000050] NICKEL.
- 14 AMP ITALY PART NUMBER ONLY.
- 15 GOLD PLATED IN LOCALIZED GOLD PLATE AREA, 1.27[m [.000050] GOLD IN MATED AREA, GOLD FLASH ON REMAINDER, OVER 1.27[m [.000050] NICKEL.
- 16 GOLD PLATED IN LOCALIZED GOLD PLATE AREA, 0.03[m [.000001] GOLD IN MATED AREA, 0.76[m [.000030] MIN TIN PLATED WIRE BARRELS, ALL OVER 0.76[m [.000030] MIN NICKEL.
- 17 GOLD FLASH IN LOCALIZED GOLD PLATE AREA, 2.54[m [.000100] MIN TIN OR TIN-LEAD PLATED WIRE BARRELS, ALL OVER 0.76[m [.000030] MIN NICKEL.
- 18 COMPANY LOGO ON BOTTOM OF EITHER WIRE OR INSULATION BARRELS.

SUPERSEDED BY	STANDARD	5.84 [.230]	1.27	1	STRIP	6-66506-4
OBSOLETE	STANDARD	3.94 [.155]	1.27	3	STRIP	6-66506-3
OBSOLETE	STANDARD	3.94 [.155]	1.27	1	STRIP	6-66506-2
	SMALL PACK	3.94 [.155]	1.27	1	LOOSE PIECE	6-66506-1
OBSOLETE	STANDARD	3.94 [.155]	1.27	1	STRIP	6-66506-0
OBSOLETE	STANDARD	3.94 [.155]	1.27	2	LOOSE PIECE	5-66506-9
OBSOLETE	STANDARD	3.94 [.155]	1.27	1	LOOSE PIECE	5-66506-7
OBSOLETE	STANDARD	3.94 [.155]	1.27	1	STRIP	2-66506-5
OBSOLETE	STANDARD	3.94 [.155]	1.27	1	STRIP	2-66506-4
OBSOLETE	STANDARD	-	1.02	1	STRIP	1-66506-4
OBSOLETE	STANDARD	-	1.02	1	STRIP	1-66506-1
	STANDARD	-	1.02	2	LOOSE PIECE	1-66506-0
	STANDARD	3.94 [.155]	1.27	2	LOOSE PIECE	66506-9
	STANDARD	-	1.02	2	LOOSE PIECE	66506-8
	STANDARD	-	1.02	1	STRIP	66506-4
	STANDARD	3.94 [.155]	1.27	1	STRIP	66506-3
	STANDARD	-	1.02	1	STRIP	66506-2
PACKAGING TYPE	B	FINISH	USE	TYPE	PART NUMBER	

THIS DRAWING IS A CONTROLLED DOCUMENT. DIMENSIONING AND TOLERANCING PER ASME Y14.5M-2009

WELDON 9-9-86
RICHARD 9-9-86
KUMAR 9-10-86

STE TE Connectivity

PIN CONTACT, SIZE 20 DF, 20-24 AWG, AMPLIMITE

APPLICATION SPEC 114-10000

SIZE A1 CAGE CODE 00779 DRAWING NO. 66506

RESTRICTED TO CUSTOMER DRAWING SCALE 10:1 SHEET 1 OF 1 REV AT