



Chipsmall Limited consists of a professional team with an average of over 10 year of expertise in the distribution of electronic components. Based in Hongkong, we have already established firm and mutual-benefit business relationships with customers from,Europe,America and south Asia,supplying obsolete and hard-to-find components to meet their specific needs.

With the principle of “Quality Parts,Customers Priority,Honest Operation,and Considerate Service”,our business mainly focus on the distribution of electronic components. Line cards we deal with include Microchip,ALPS,ROHM,Xilinx,Pulse,ON,Everlight and Freescale. Main products comprise IC,Modules,Potentiometer,IC Socket,Relay,Connector.Our parts cover such applications as commercial,industrial, and automotives areas.

We are looking forward to setting up business relationship with you and hope to provide you with the best service and solution. Let us make a better world for our industry!



## Contact us

Tel: +86-755-8981 8866 Fax: +86-755-8427 6832

Email & Skype: info@chipsmall.com Web: www.chipsmall.com

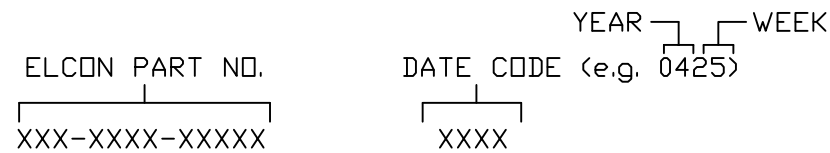
Address: A1208, Overseas Decoration Building, #122 Zhenhua RD., Futian, Shenzhen, China



This drawing involves proprietary design rights of Tyco Electronics Corporation, and all design, manufacture, reproduction, use and sale rights regarding the same are expressly reserved. It is submitted for a specific purpose and the recipient by accepting this drawing, assumes custody and control and agrees to take reasonable precautions; (a) that this drawing will not be copied and reproduced, in whole or in part, or its contents revealed in any manner, or to any person except to meet the purpose for which it was delivered and (b) that any special features peculiar to this design will not be incorporated in other projects without the expressed written permission of Tyco Electronics Corporation.

REVISIONS			
EC	REV	DESCRIPTION	DATE
0S1Q-0242-04	A	NEW RELEASE	06/25/04

8. ITEMS PROVIDED TO THIS SPECIFICATION TO BE PERMANENTLY IDENTIFIED PER THE FOLLOWING IDENTIFIER:



7. RECOMMENDED PRESSING FIXTURE:  
FIX00001 FOR COMPLIANT APPLICATION IS AVAILABLE.  
PLEASE CONSULT FACTORY.

6. EXAMPLE PCB CONFIGURATION.

5. THIS CONFIGURATION WITH 3-SEGMENT SIGNAL CONNECTOR IS SHOWN FOR REFERENCE ONLY. COMBINATION OF MULTIPLE NUMBERS OF 2 AND 3 SEGMENT MODULES COULD BE USED PER USER PREFERENCE. OVERALL COMBINATION SHOULD NOT EXCEED 8.0" IN LENGTH.

4. SOCKETS ACCEPT 1.6 [0.062] ± 10% THICK PC BOARD.

3. FINISHES:

CONTACTS: SELECTIVE GOLD PER MIL-G-45204,  
.000030" MIN. THK,  
OVER NICKEL PER QQ-N-290

TERMINALS: SELECTIVE TIN PER ASTM B-545,  
OVER NICKEL PER QQ-N-290

2. MATERIALS:

INSULATORS: THERMOPLASTIC, GLASS REINFORCED, COLOR-BLACK  
UL94V-0 FLAMMABILITY RATED.

POWER CONTACTS: COPPER ALLOY

1. PART NUMBER CHANGES AND OR DESIGN CHANGES AFFECTING ITEM INTERCHANGEABILITY REQUIRE PRIOR ELCON APPROVAL AND AUTHORIZATION BY REVISION TO THIS DRAWING.

NOTES: UNLESS OTHERWISE SPECIFIED;

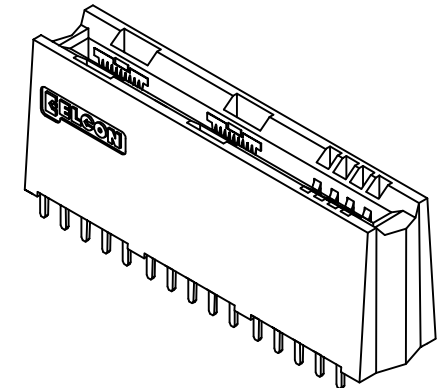
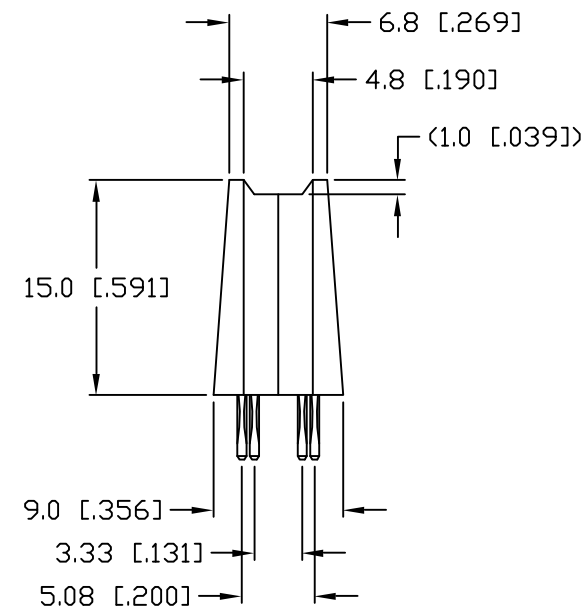
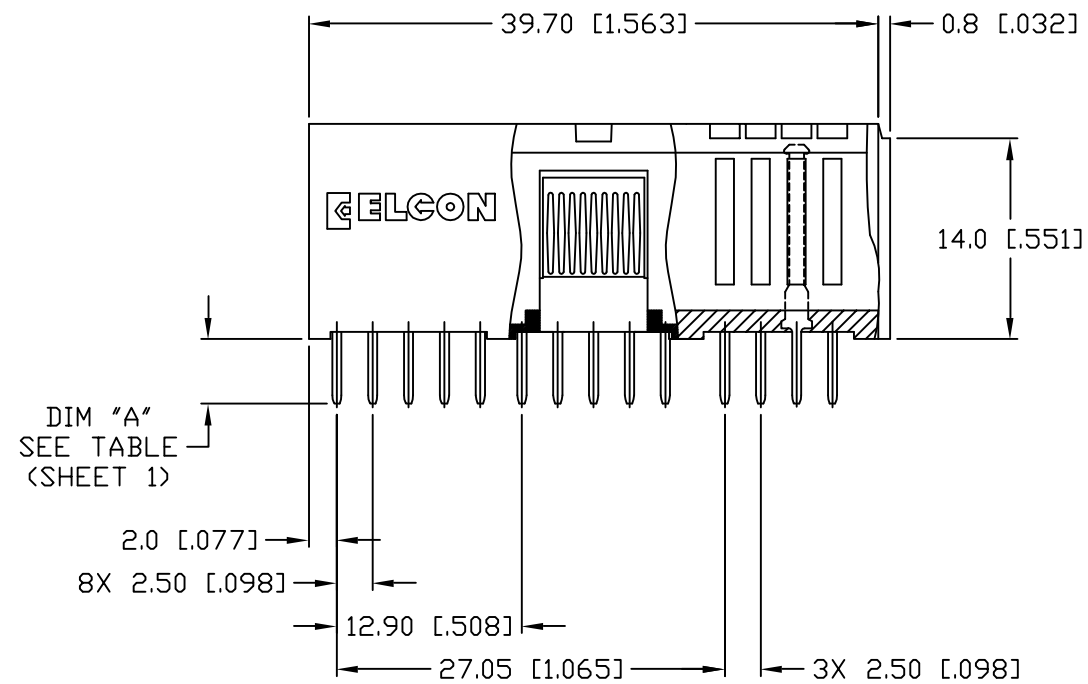
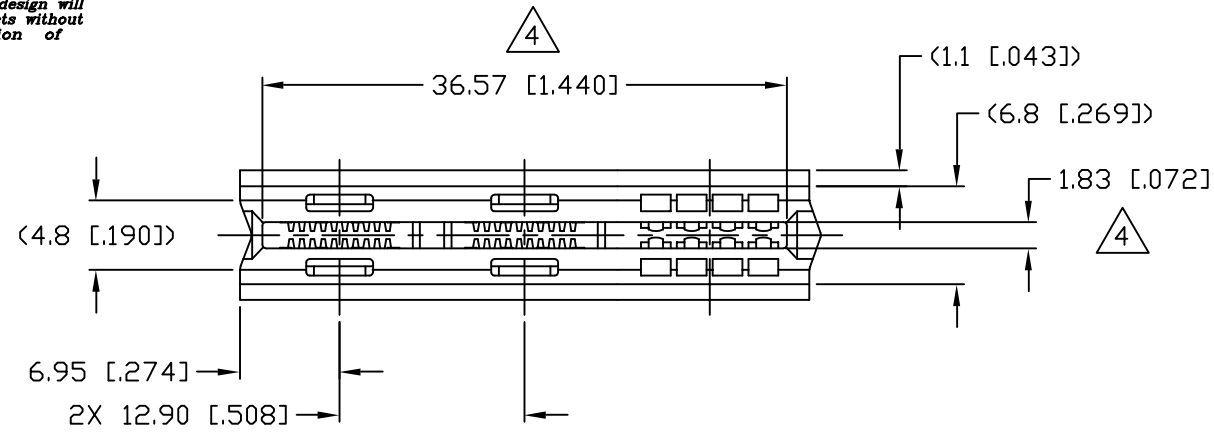
9. PART NUMBER INFORMATION

CONNECTOR	REFERENCE TYCO PN	ELCON PART NUMBER	TERMINATION TYPE	PC TAIL LENGTH DIM "A"	RECOMMENDED MOUNTING BOARD	MATING BOARD
SOCKET	6651290-2	284-0112-12100	SOLDER TAIL (SHORT)	3.56 [.140] 2.54 [.100]	1.6 [.062] THICK	1.6 [.062] THICK
SOCKET	6651290-3	284-0112-12300	SOLDER TAIL (STANDARD)	5.08 [.200] 4.06 [.160]	3.2 [.125] OR THINNER	1.6 [.062] THICK
SOCKET	6651290-1	284-0112-11300	COMPLIANT TAIL	5.08 [.200] 4.06 [.160]	2.3 [.093] OR THICKER	1.6 [.062] THICK

<p>THIRD ANGLE PROJECTION</p> <p>UNLESS OTHERWISE SPECIFIED DIMENSIONS ARE IN METRIC [INCHES]</p> <p>TOLERANCES</p> <p>ANGLES ± .5°</p> <p>DECIMALS</p> <p>.XX ± .25 [.010]</p> <p>.X ± .5 [.020]</p>	<p>MM OR MM [INCH]</p> <p>INCH</p>	<p>DRAWN</p> <p>HA NGUYEN</p>	<p>DATE</p> <p>06/24/04</p>	<p><b>tyco</b> Tyco Electronics Corporation <b>ELCON</b> Menlo Park, Ca 94025</p>		
	<p>CHECKED</p>	<p>APPROVED</p>	<p>APPROVED</p>	<p>TITLE</p> <p>SOCKET CONNECTOR, CROWNEDGE PN: 284-0112-12100/284-0112-12300 PN: 284-0112-11300</p>		
	<p>D. CHAU</p>	<p>M. ALIM</p>	<p>06/25/04</p>	<p>07/21/04</p>	<p>SIZE</p> <p>B</p>	<p>DWG NUMBER</p> <p>C = 6651290</p>
	<p>ACAD FILE NUMBER</p> <p>C6651290A.DWG</p>	<p>REV.</p> <p>A</p>	<p>DWG SCALE</p> <p>2=1</p>	<p>SH</p> <p>1 OF 5</p>		

This drawing involves proprietary design rights of Tyco Electronics Corporation, and all design, manufacture, reproduction, use and sale rights regarding the same are expressly reserved. It is submitted for a specific purpose and the recipient by accepting this drawing, assumes custody and control and agrees to take reasonable precautions; (a) that this drawing will not be copied and reproduced, in whole or in part, or its contents revealed in any manner, or to any person except to meet the purpose for which it was delivered and (b) that any special features peculiar to this design will not be incorporated in other projects without the expressed written permission of Tyco Electronics Corporation.

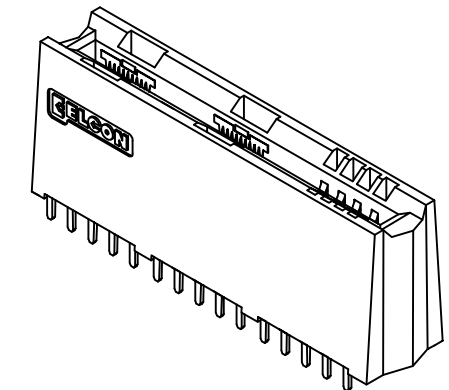
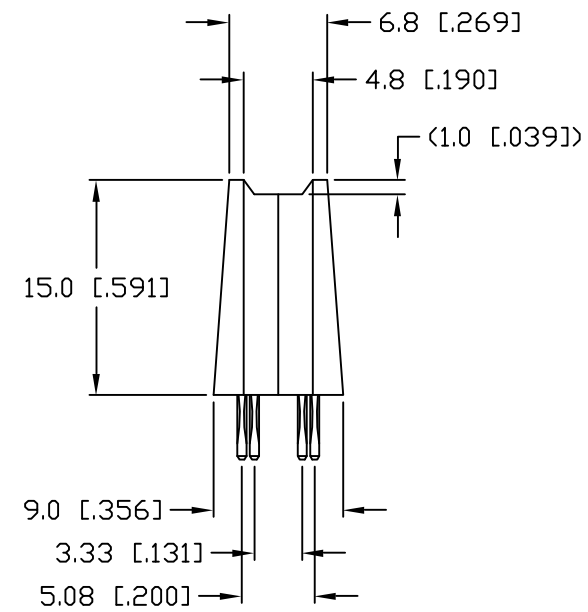
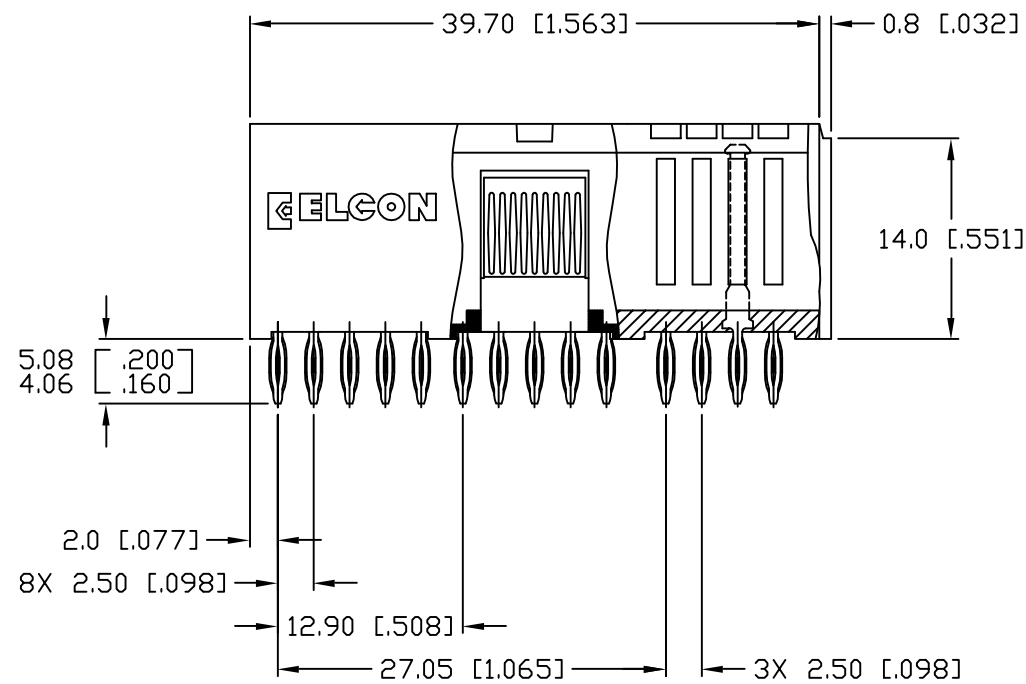
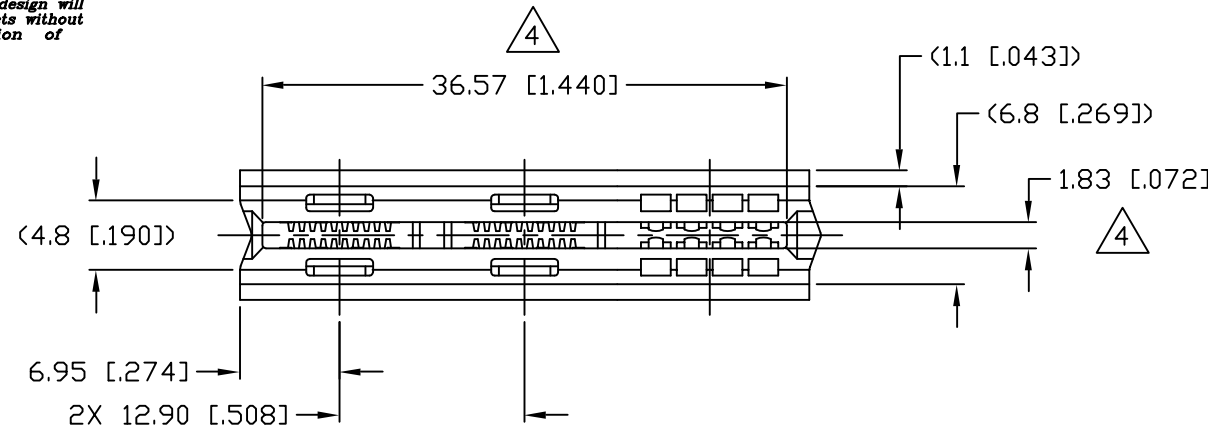
REVISIONS			
EC	REV	DESCRIPTION	DATE
		SEE SHEET 1	



← MM OR MM [INCH]  THIRD ANGLE PROJECTION UNLESS OTHERWISE SPECIFIED DIMENSIONS ARE IN METRIC [INCHES] TOLERANCES ANGLES ± .5° DECIMALS .XX ± .25 [.010] .X ± .5 [.020]	DRAWN HA NGUYEN	DATE 06/24/04	Tyco Electronics Corporation Menlo Park, Ca 94025	
	CHECKED	APPROVED		TITLE SOCKET CONNECTOR, 3 SEG, CROWNEDGE STRAIGHT, 4 POWER, 8 SIGNAL, SOLDER PN: 284-0112-12100/284-0112-12300
	APPROVED	APPROVED D. CHAU	06/25/04	SIZE B
	DCA APPROVED M. ALIM	07/21/04	DWG NUMBER C = 6651290	REV. A
ACAD FILE NUMBER C6651290A.DWG		DWG SCALE 2=1	SH 2 OF 5	

This drawing involves proprietary design rights of Tyco Electronics Corporation, and all design, manufacture, reproduction, use and sale rights regarding the same are expressly reserved. It is submitted for a specific purpose and the recipient by accepting this drawing, assumes custody and control and agrees to take reasonable precautions; (a) that this drawing will not be copied and reproduced, in whole or in part, or its contents revealed in any manner, or to any person except to meet the purpose for which it was delivered and (b) that any special features peculiar to this design will not be incorporated in other projects without the expressed written permission of Tyco Electronics Corporation.

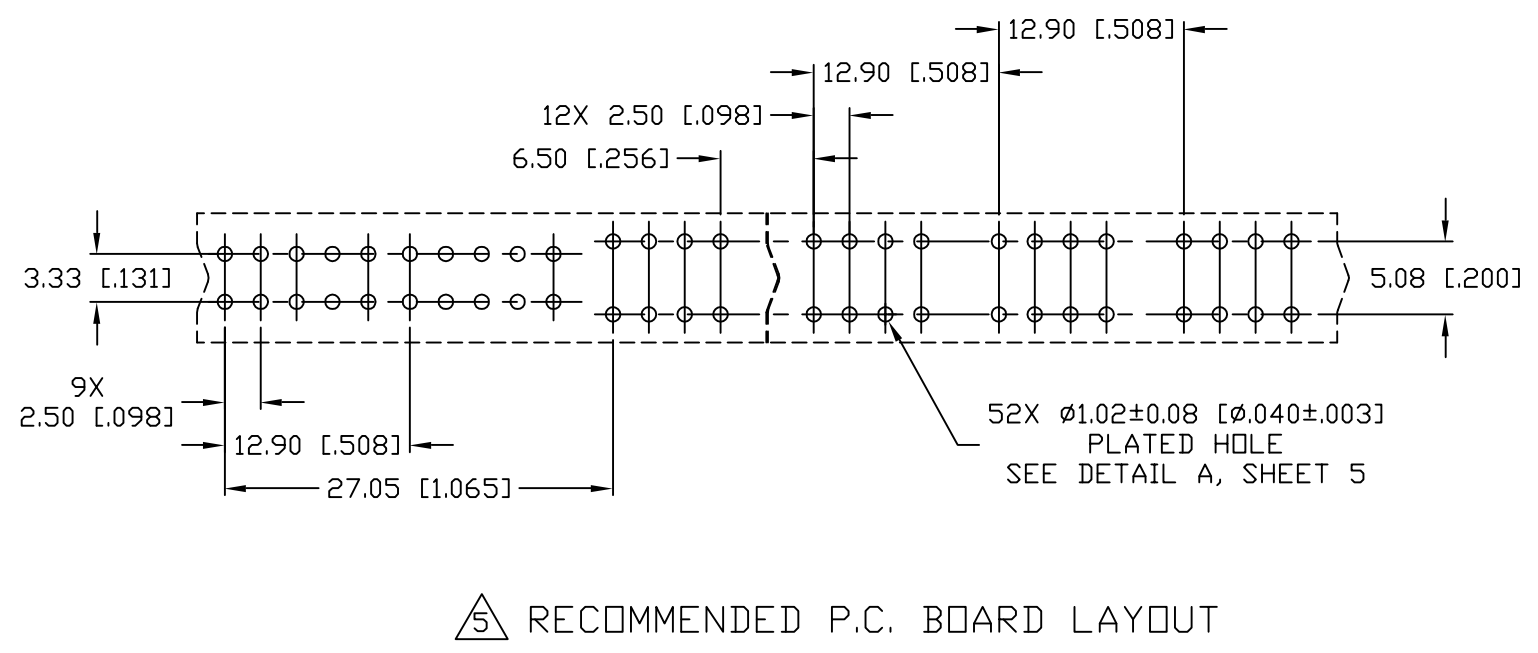
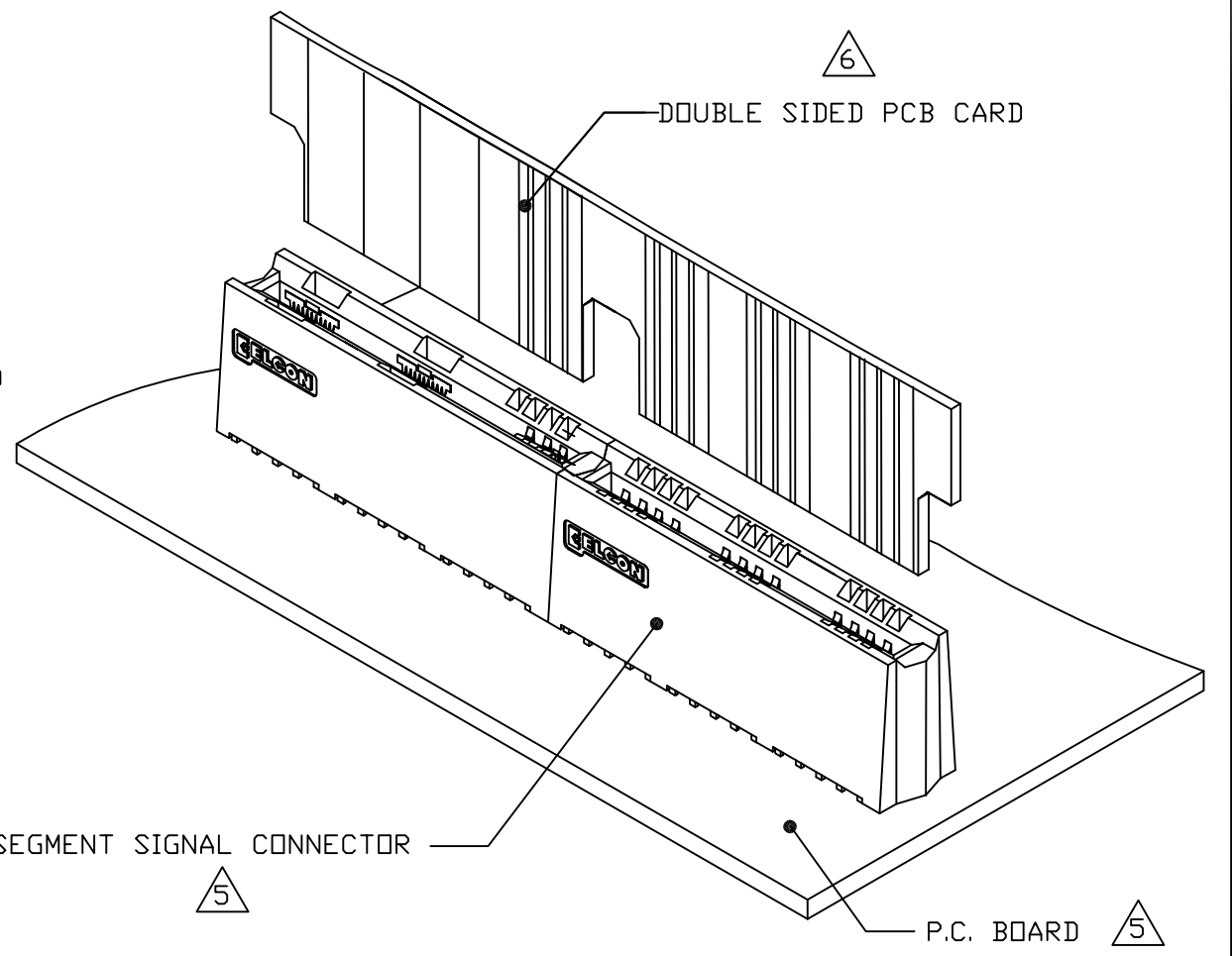
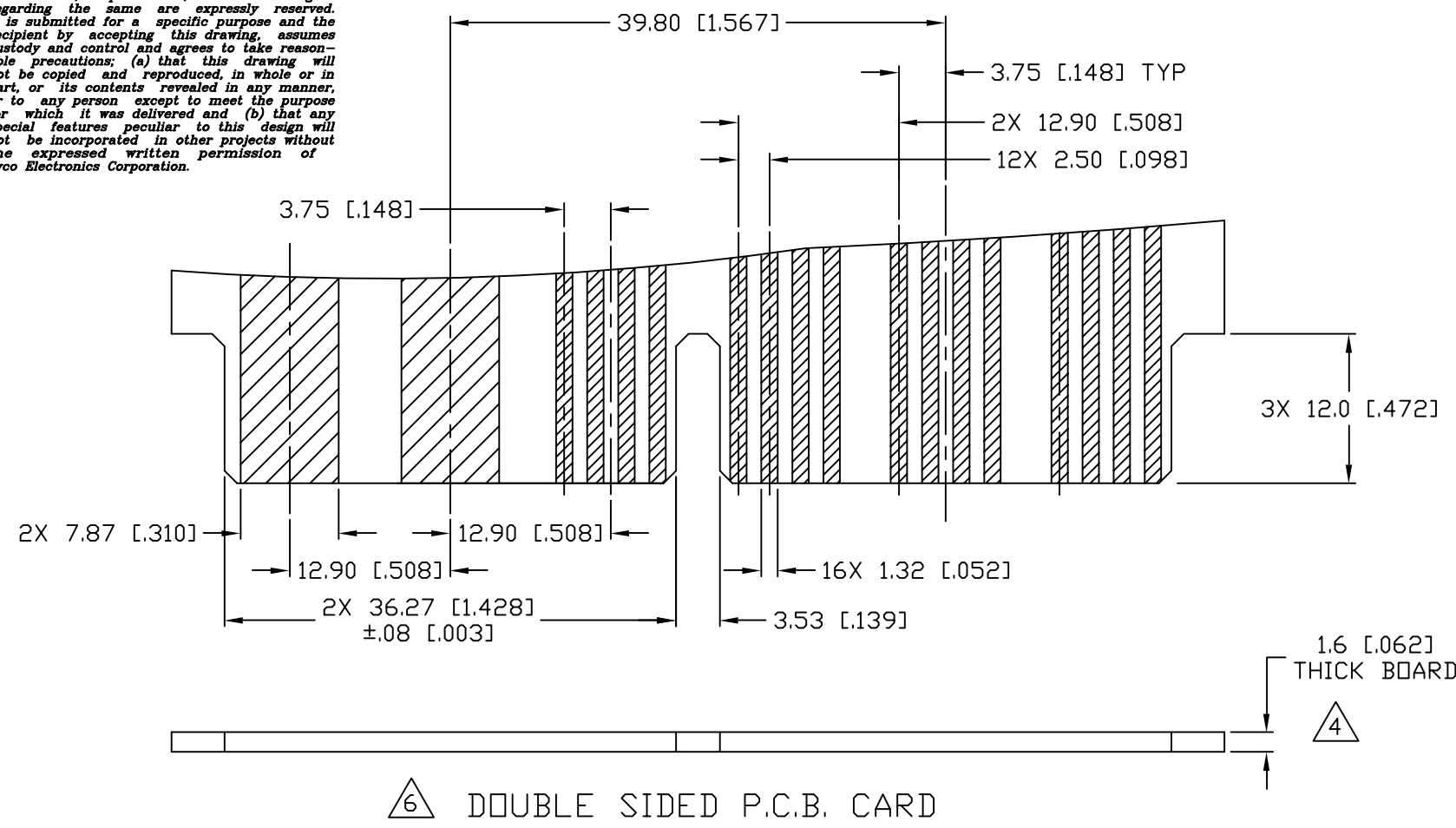
REVISIONS			
EC	REV	DESCRIPTION	DATE
		SEE SHEET 1	



← MM OR MM [INCH]  THIRD ANGLE PROJECTION UNLESS OTHERWISE SPECIFIED DIMENSIONS ARE IN METRIC [INCHES] TOLERANCES ANGLES ± .5° DECIMALS .XX ± .25 [.010] .X ± .5 [.020]	DRAWN HA NGUYEN	DATE 06/24/04	Tyco Electronics Corporation Menlo Park, Ca 94025	
	CHECKED	APPROVED		TITLE SOCKET CONNECTOR, 3 SEG, CROWNEDGE STRAIGHT, 4 PWR, 8 SIGNAL, COMPLIANT PN: 284-0112-11300
	APPROVED D. CHAU	06/25/04	SIZE B	DWG NUMBER C = 6651290
	APPROVED M. ALIM	07/21/04	ACAD FILE NUMBER C6651290A.DWG	REV. A
DWG SCALE 2=1			SH 3 OF 5	

This drawing involves proprietary design rights of Tyco Electronics Corporation, and all design, manufacture, reproduction, use and sale rights regarding the same are expressly reserved. It is submitted for a specific purpose and the recipient by accepting this drawing, assumes custody and control and agrees to take reasonable precautions; (a) that this drawing will not be copied and reproduced, in whole or in part, or its contents revealed in any manner, or to any person except to meet the purpose for which it was delivered and (b) that any special features peculiar to this design will not be incorporated in other projects without the expressed written permission of Tyco Electronics Corporation.

REVISIONS			
EC	REV	DESCRIPTION	DATE
		SEE SHEET 1	

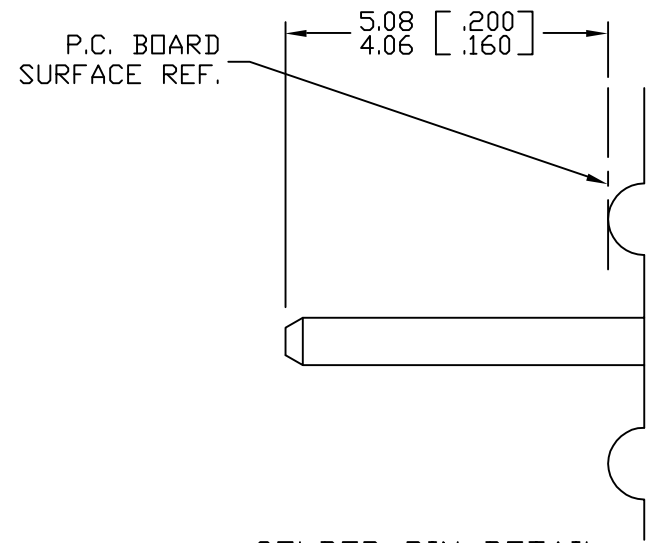


UNLESS OTHERWISE SPECIFIED DIMENSIONS ARE IN METRIC [INCHES] TOLERANCES ANGLES ± .5° DECIMALS .XX ± .25 [.010] .X ± .5 [.020]	DRAWN HA NGUYEN CHECKED	DATE 06/24/04	<b>tyco</b> Tyco Electronics Corporation <b>Electronics</b> Menlo Park, Ca 94025 <b>ELCON</b>
	APPROVED APPROVED D. CHAU DCA APPROVED M. ALIM ACAD FILE NUMBER C6651290A.DWG	06/25/04 07/21/04	
			DWG SCALE 2=1 SH 4 OF 5

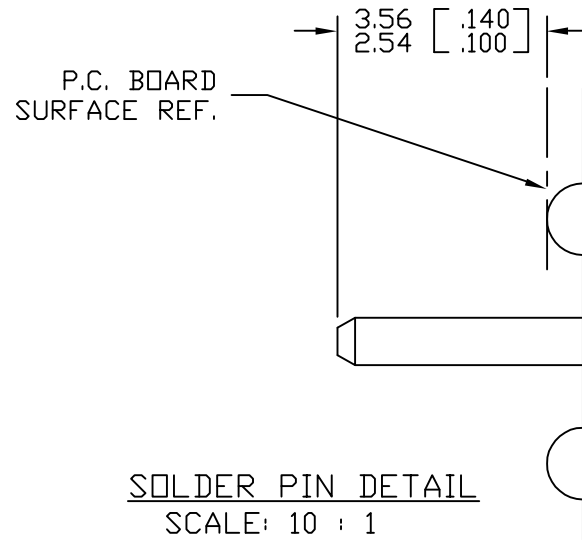


This drawing involves proprietary design rights of Tyco Electronics Corporation, and all design, manufacture, reproduction, use and sale rights regarding the same are expressly reserved. It is submitted for a specific purpose and the recipient by accepting this drawing, assumes custody and control and agrees to take reasonable precautions; (a) that this drawing will not be copied and reproduced, in whole or in part, or its contents revealed in any manner, or to any person except to meet the purpose for which it was delivered and (b) that any special features peculiar to this design will not be incorporated in other projects without the expressed written permission of Tyco Electronics Corporation.

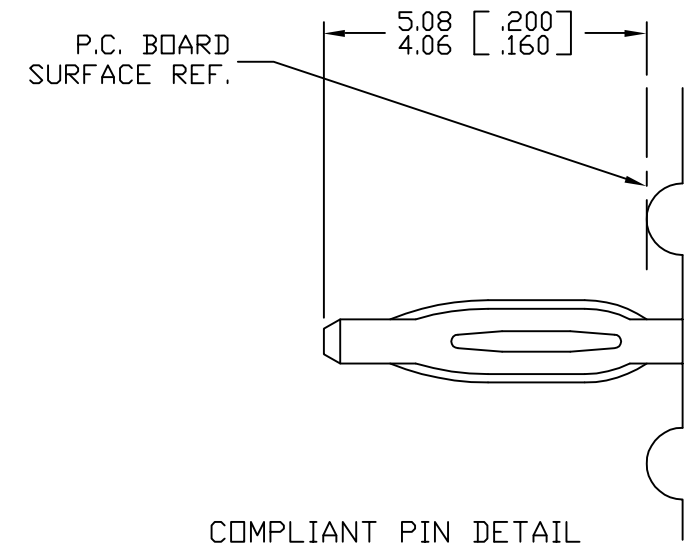
REVISIONS			
EC	REV	DESCRIPTION	DATE
		SEE SHEET 1	



SOLDER PIN DETAIL  
SCALE: 10 : 1



SOLDER PIN DETAIL  
SCALE: 10 : 1



COMPLIANT PIN DETAIL  
SCALE: 10 : 1

INSERTION/EXTRACTION FORCES  
 MAXIMUM PUSH IN: 133.3N PER PIN  
 [30 LBS]  
 MINIMUM PUSH OUT: 44.4N PER PIN  
 [10 LBS]

RECOMMENDED PRINTED CIRCUIT HOLE  
 SOLDER OR COMPLIANT PRESS FIT  
 FINISHED HOLE:  $\phi 1.02$  [.040]  $\pm .08$  [.003]  
 DRILLED HOLE:  $\phi 1.15$  [.0453]  $\pm .013$  [.0005]  
 COPPER PLATE: .025 [.0010] MINIMUM (PER SURFACE)  
 TIN PLATE: .008 [.0003] MINIMUM (PER SURFACE)

DETAIL A

← MM OR MM [INCH] INCH  THIRD ANGLE PROJECTION UNLESS OTHERWISE SPECIFIED DIMENSIONS ARE IN METRIC [INCHES] TOLERANCES ANGLES $\pm .5^\circ$ DECIMALS .XX $\pm .25$ [.010] .X $\pm .5$ [.020]	DRAWN HA NGUYEN	DATE 06/24/04	 Tyco Electronics Corporation Menlo Park, Ca 94025 	TITLE USER INFORMATION SOLDER & COMPLIANT TERMINATION CROWNEDGE	
	CHECKED				SIZE B
	APPROVED		DWG NUMBER C = 6651290		REV. A
	APPROVED D. CHAU	06/25/04	ACAD FILE NUMBER C6651290A.DWG		DWG SCALE 2=1 SH 5 OF 5