



Chipsmall Limited consists of a professional team with an average of over 10 year of expertise in the distribution of electronic components. Based in Hongkong, we have already established firm and mutual-benefit business relationships with customers from,Europe,America and south Asia,supplying obsolete and hard-to-find components to meet their specific needs.

With the principle of “Quality Parts,Customers Priority,Honest Operation,and Considerate Service”,our business mainly focus on the distribution of electronic components. Line cards we deal with include Microchip,ALPS,ROHM,Xilinx,Pulse,ON,Everlight and Freescale. Main products comprise IC,Modules,Potentiometer,IC Socket,Relay,Connector.Our parts cover such applications as commercial,industrial, and automotives areas.

We are looking forward to setting up business relationship with you and hope to provide you with the best service and solution. Let us make a better world for our industry!



## Contact us

Tel: +86-755-8981 8866 Fax: +86-755-8427 6832

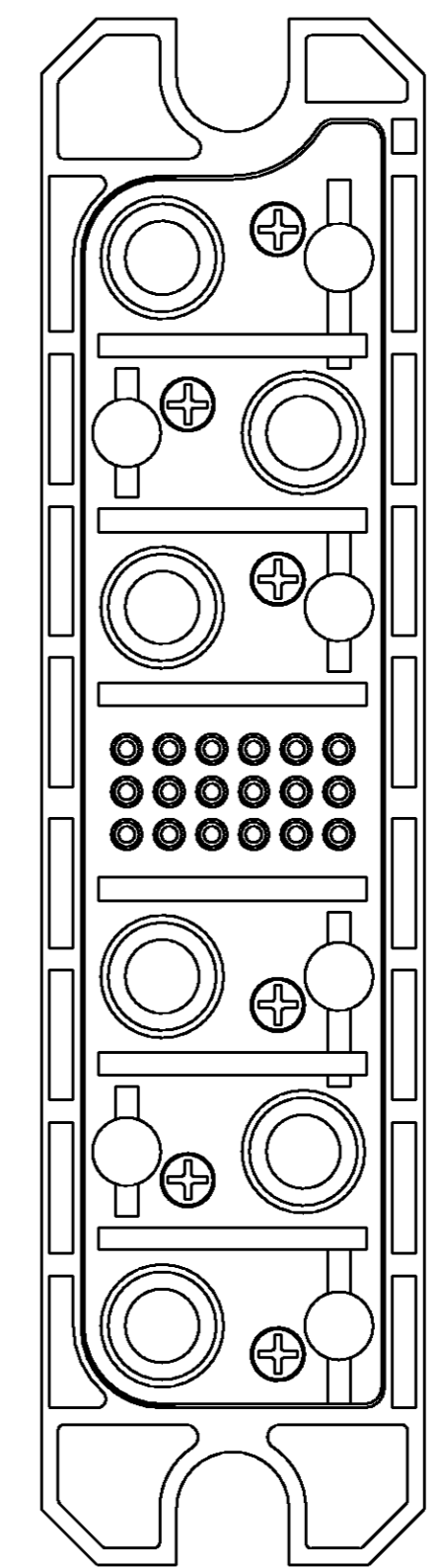
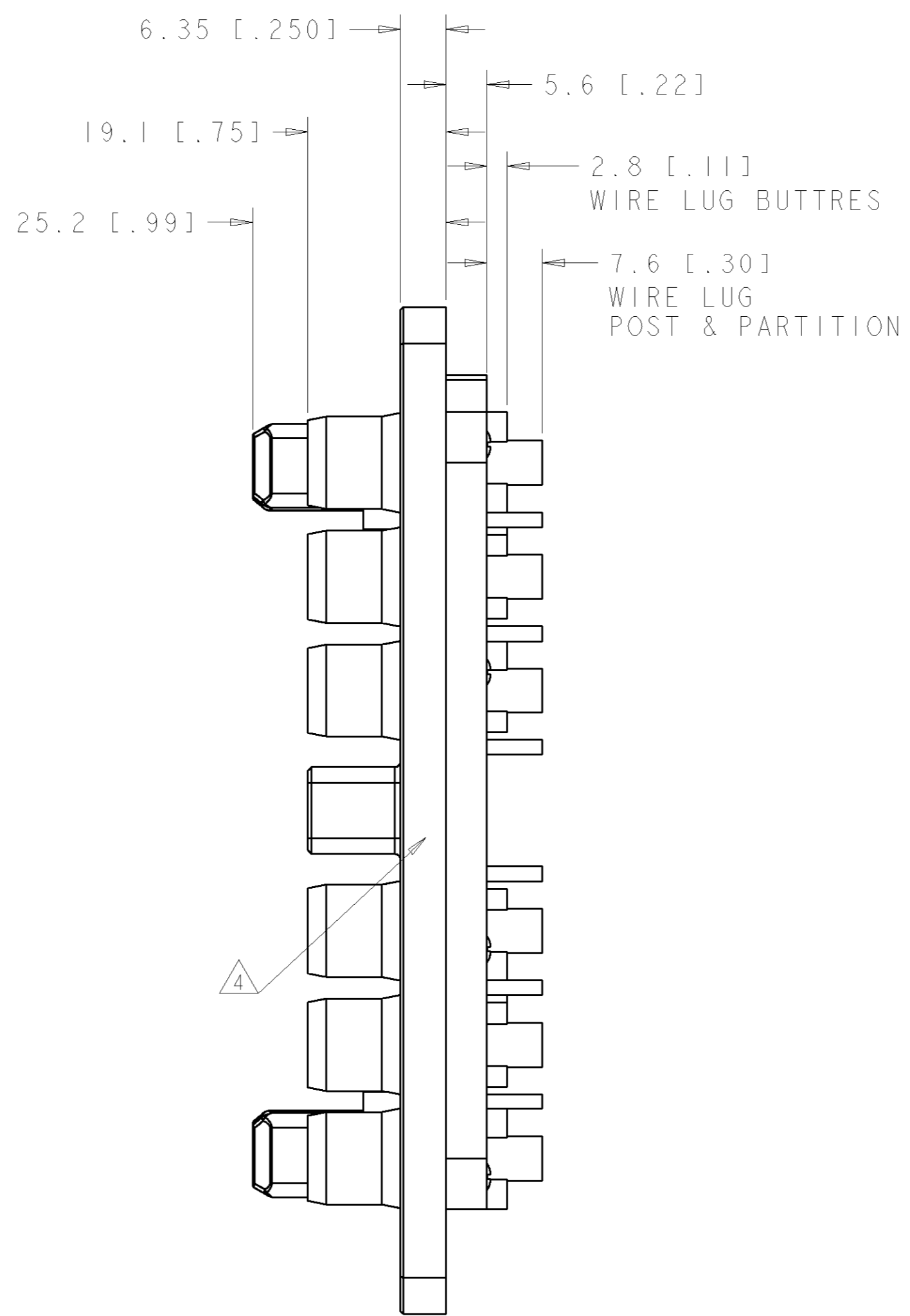
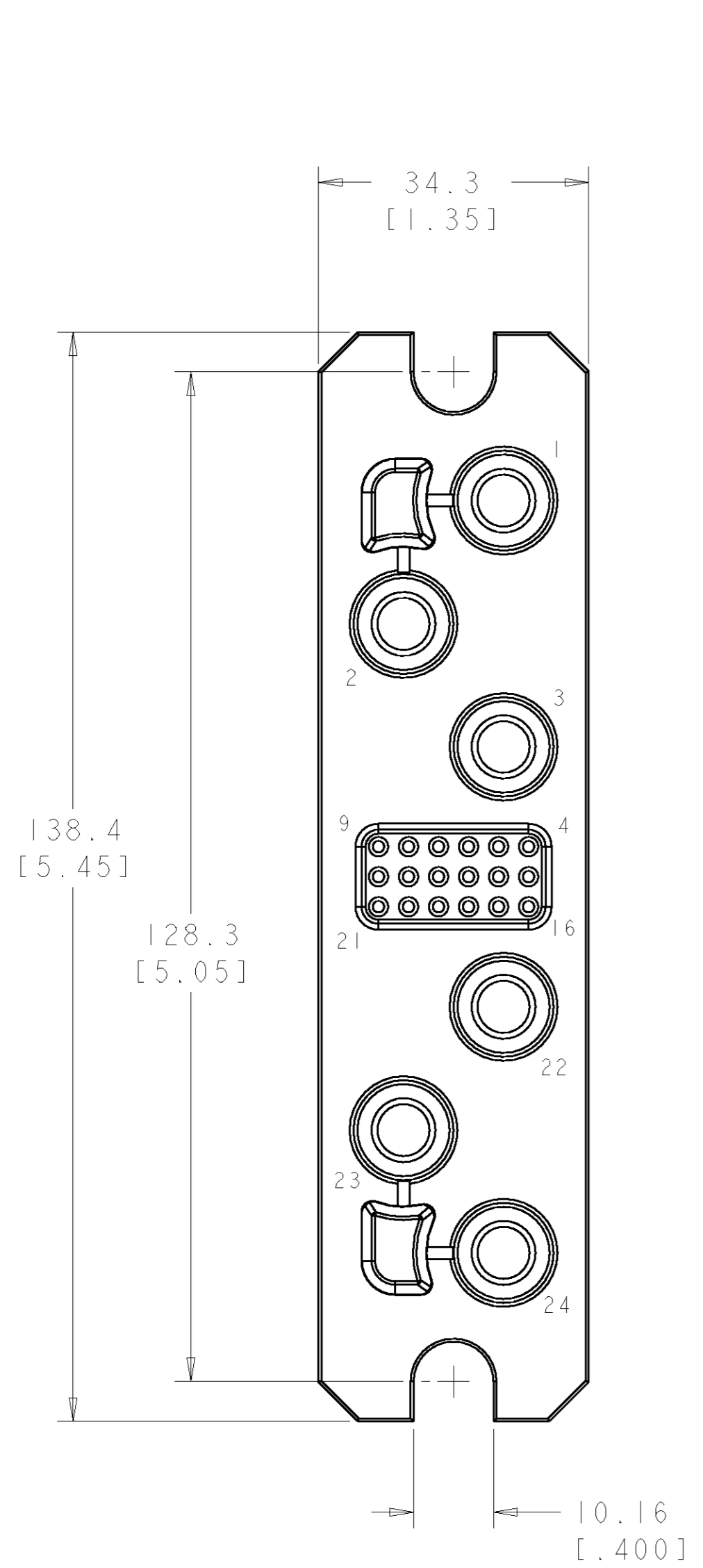
Email & Skype: info@chipsmall.com Web: www.chipsmall.com

Address: A1208, Overseas Decoration Building, #122 Zhenhua RD., Futian, Shenzhen, China



THIS DRAWING IS UNPUBLISHED. RELEASED FOR PUBLICATION 20  
 © COPYRIGHT 20 BY TYCO ELECTRONICS CORPORATION. ALL RIGHTS RESERVED.

LOC	DIST	REVISIONS					
GP	00	P	LTR	DESCRIPTION	DATE	DWN	APVD
		A		RELEASED	06NOV2006	RG	DO



SOCKET CONTACT #4 GAGE  
 SOCKET CONTACT #20 GAGE  
 SOCKET CONTACT #4 GAGE

BOTTOM VIEW

AS SHOWN	6651810-1
DESCRIPTION	PART NUMBER

<small>THIS DRAWING IS A CONTROLLED DOCUMENT FOR TYCO ELECTRONICS CORPORATION. IT IS SUBJECT TO CHANGE AND THE CONTROLLING ENGINEERING ORGANIZATION SHOULD BE CONTACTED FOR THE LATEST REVISION.</small>		DWN R. GRZYBOWSKI 19JULY06	Tyco Electronics Harrisburg, PA 17105-3608
DIMENSIONS: mm [INCHES]		CHK D. ORRIS 19JULY06	
		APVD D. ORRIS 19JULY06	
TOLERANCES UNLESS OTHERWISE SPECIFIED: 0 PLC ± 1 PLC ±0.5 [0.02] 2 PLC ±0.25 [0.010] 3 PLC ± 4 PLC ± ANGLES ±2 FINISH		PRODUCT SPEC -	NAME CONNECTOR, SOCKET, SUB ASSEMBLY CUSTOMER DRAWER
MATERIAL		APPLICATION SPEC -	SIZE A2
		WEIGHT -	CAGE CODE 200779
		CUSTOMER DRAWING	DRAWING NO. 6651810
		SCALE 1:1	RESTRICTED TO -
		SHEET 1	OF 2
		REV A	

ELCON CUSTOM DRAWER

4

3

2

1

THIS DRAWING IS UNPUBLISHED.      RELEASED FOR PUBLICATION      20

© COPYRIGHT 20      BY TYCO ELECTRONICS CORPORATION. ALL RIGHTS RESERVED.

LOC	DIST	REVISIONS					
GP	00	P	LTR	DESCRIPTION	DATE	DWN	APVD
		-		SEE SHEET 1	-	-	-

1. PART NUMBER CHANGES AND OR DESIGN CHANGES AFFECTING ITEM INTERCHANGEABILITY REQUIRE PRIOR TYCO APPROVAL AND AUTHORIZATION BY REVISION TO THIS DRAWING.

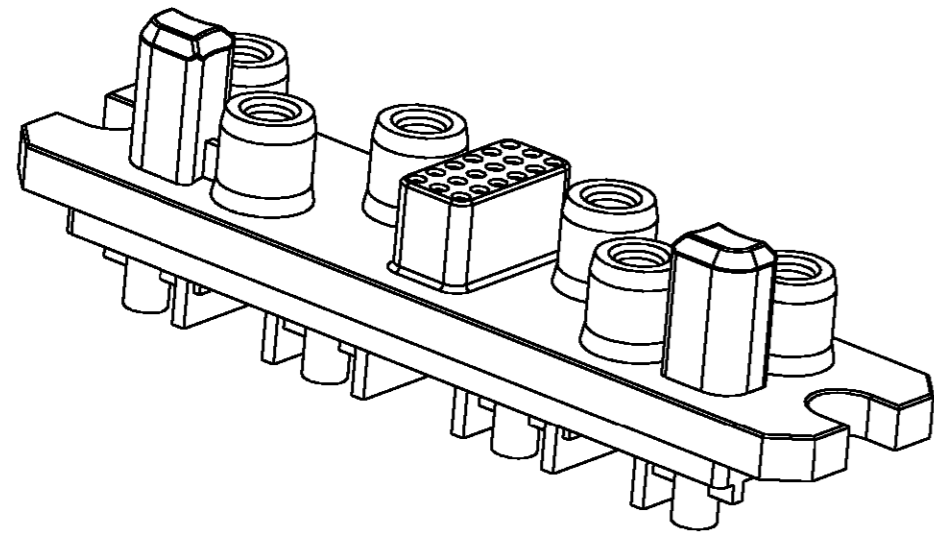
2. MATERIALS:  
 INSULATORS: THERMOPLASTIC, GLASS REINFORCED  
 UL RATED 94V-0 FLAMMABILITY RATED.  
 RETENTION CLIPS: BERYLLIUM COPPER OR STAINLESS STEEL

3. FINISHES:  
 INSULATOR: AS MOLDED, COLOR BLACK (MACHINED, COLOR NATURAL)

△ ITEMS PROVIDED TO THIS SPECIFICATION TO BE PERMANENTLY IDENTIFIED PER THE FOLLOWING IDENTIFIER:

TYCO PART NUMBER      DATE CODE      YEAR    WEEK     
 (e.g. 0225)

XXXXXXX-X      XXXX



**ELCON      CUSTOM DRAWER**

<small>THIS DRAWING IS A CONTROLLED DOCUMENT FOR TYCO ELECTRONICS CORPORATION          IT IS SUBJECT TO CHANGE AND THE CONTROLLING ENGINEERING ORGANIZATION          SHOULD BE CONTACTED FOR THE LATEST REVISION.</small>		DWN <u>R. GRZYBOWSKI</u> 19JULY06 CHK <u>D. ORRIS</u> 19JULY06 APVD <u>D. ORRIS</u> 19JULY06	<b>tyco</b> <b>Electronics</b> Tyco Electronics Harrisburg, PA 17105-3608
DIMENSIONS: mm [ INCHES ]	TOLERANCES UNLESS OTHERWISE SPECIFIED: 0 PLC ± 1 PLC ±0.5 [ .02 ] 2 PLC ±0.25 [ .010 ] 3 PLC ± 4 PLC ± ANGLES ±2 FINISH	PRODUCT SPEC APPLICATION SPEC WEIGHT	NAME <b>CONNECTOR, SOCKET, SUB ASSEMBLY</b> CUSTOMER DRAWER SIZE CAGE CODE DRAWING NO RESTRICTED TO A200779 C-6651810 -
MATERIAL		CUSTOMER DRAWING	SCALE 1:1 SHEET 2 OF 2 REV A