



Chipsmall Limited consists of a professional team with an average of over 10 year of expertise in the distribution of electronic components. Based in Hongkong, we have already established firm and mutual-benefit business relationships with customers from,Europe,America and south Asia,supplying obsolete and hard-to-find components to meet their specific needs.

With the principle of "Quality Parts,Customers Priority,Honest Operation,and Considerate Service",our business mainly focus on the distribution of electronic components. Line cards we deal with include Microchip,ALPS,ROHM,Xilinx,Pulse,ON,Everlight and Freescale. Main products comprise IC,Modules,Potentiometer,IC Socket,Relay,Connector.Our parts cover such applications as commercial,industrial, and automotives areas.

We are looking forward to setting up business relationship with you and hope to provide you with the best service and solution. Let us make a better world for our industry!



## Contact us

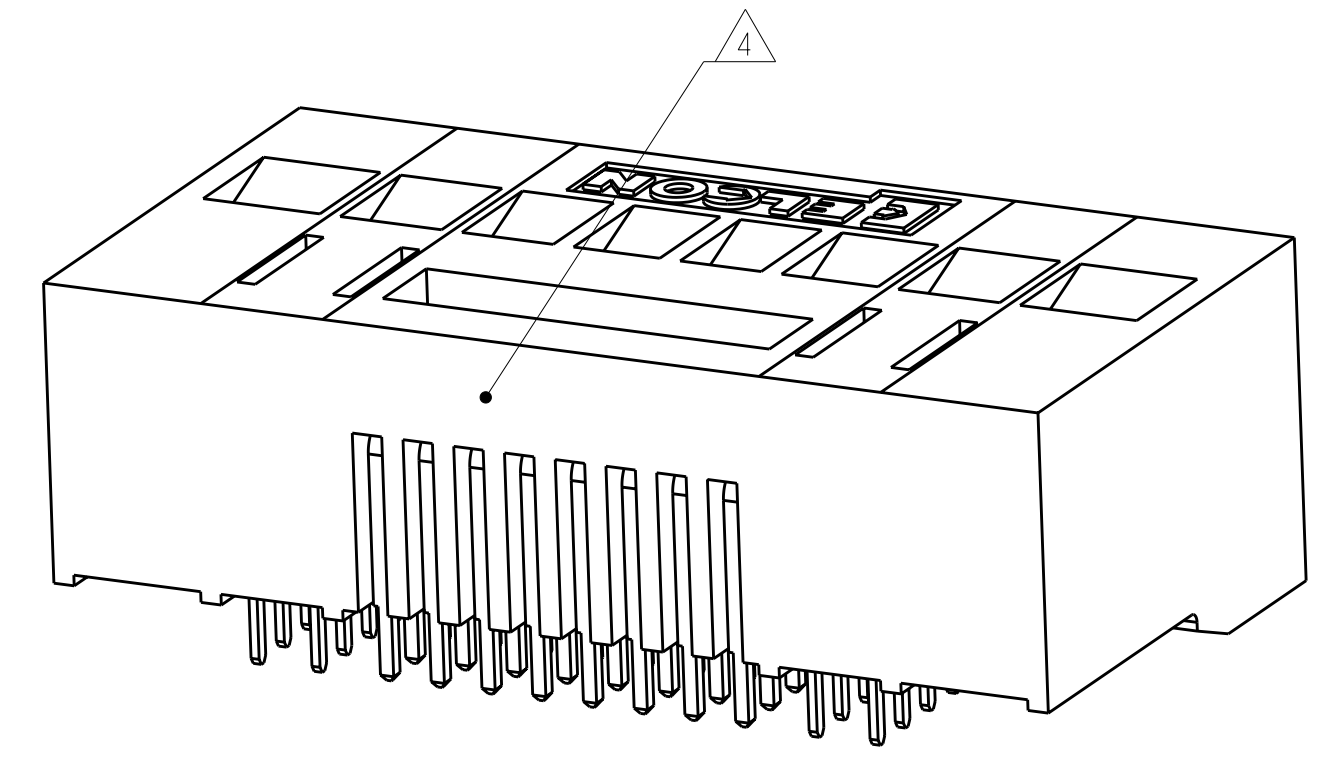
Tel: +86-755-8981 8866 Fax: +86-755-8427 6832

Email & Skype: info@chipsmall.com Web: www.chipsmall.com

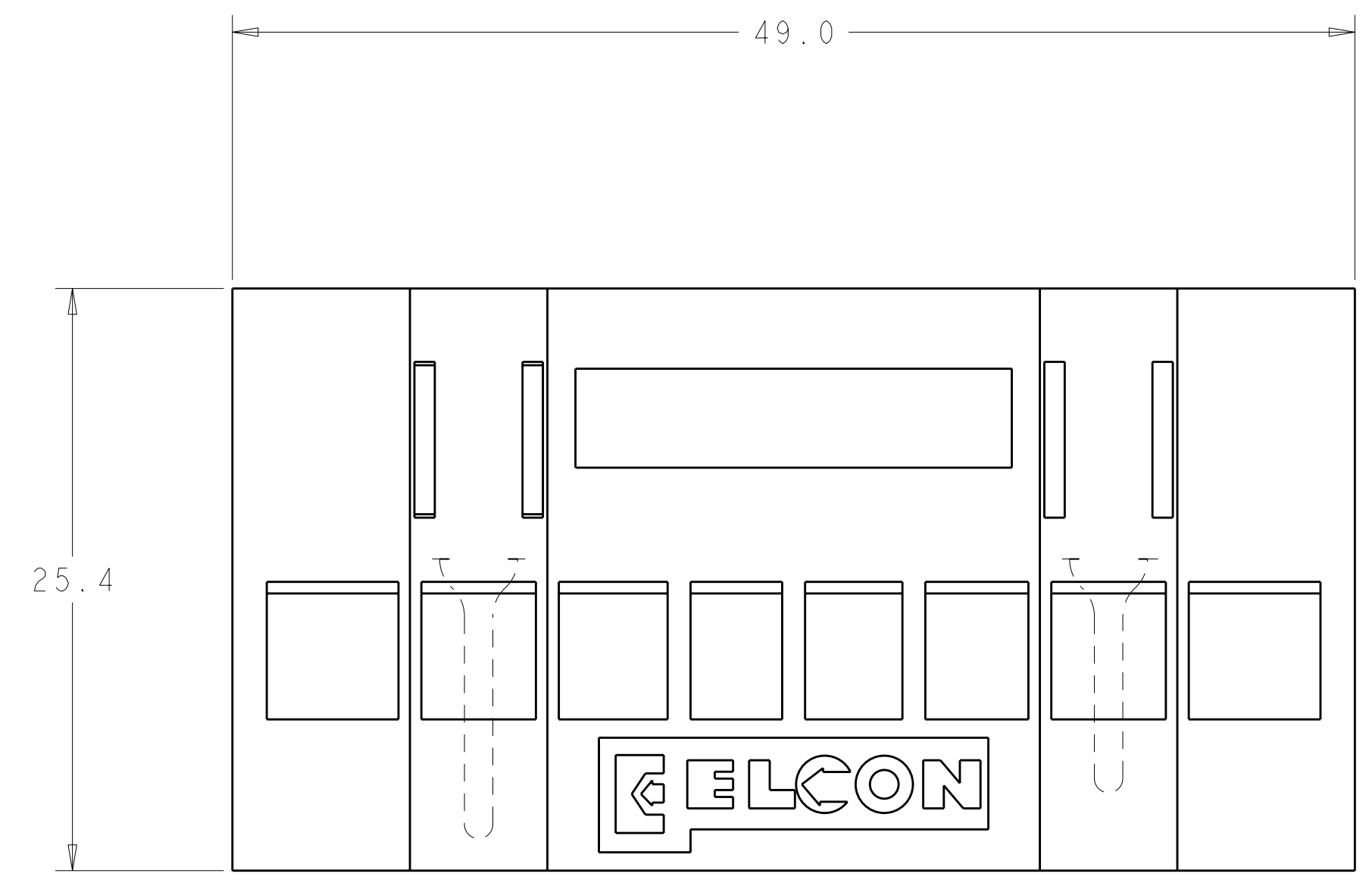
Address: A1208, Overseas Decoration Building, #122 Zhenhua RD., Futian, Shenzhen, China



LOC	DIST	REV	DATE	BY	APPD
GP	00	A2	10FEB2011	RG	MS



SCALE 3:1



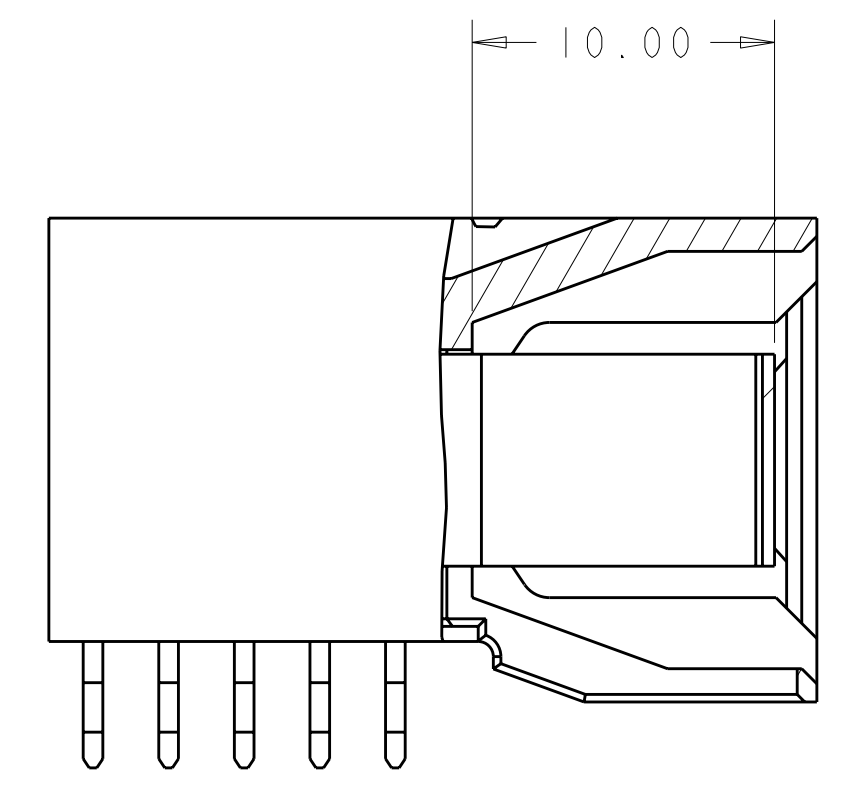
1. PART NUMBER CHANGES AND OR DESIGN CHANGES AFFECTING ITEM INTERCHANGEABILITY REQUIRE PRIOR TYCO ELECTRONICS APPROVAL AND AUTHORIZATION BY REVISION TO THIS DRAWING.

2. MATERIAL: INSULATORS - THERMOPLASTIC, GLASS REINFORCED, COLOR: BLACK  
 UL94V-0 FLAMMABILITY RATED.  
 SIGNAL PINS: BRASS ALLOY  
 POWER CONTACTS: COPPER ALLOY

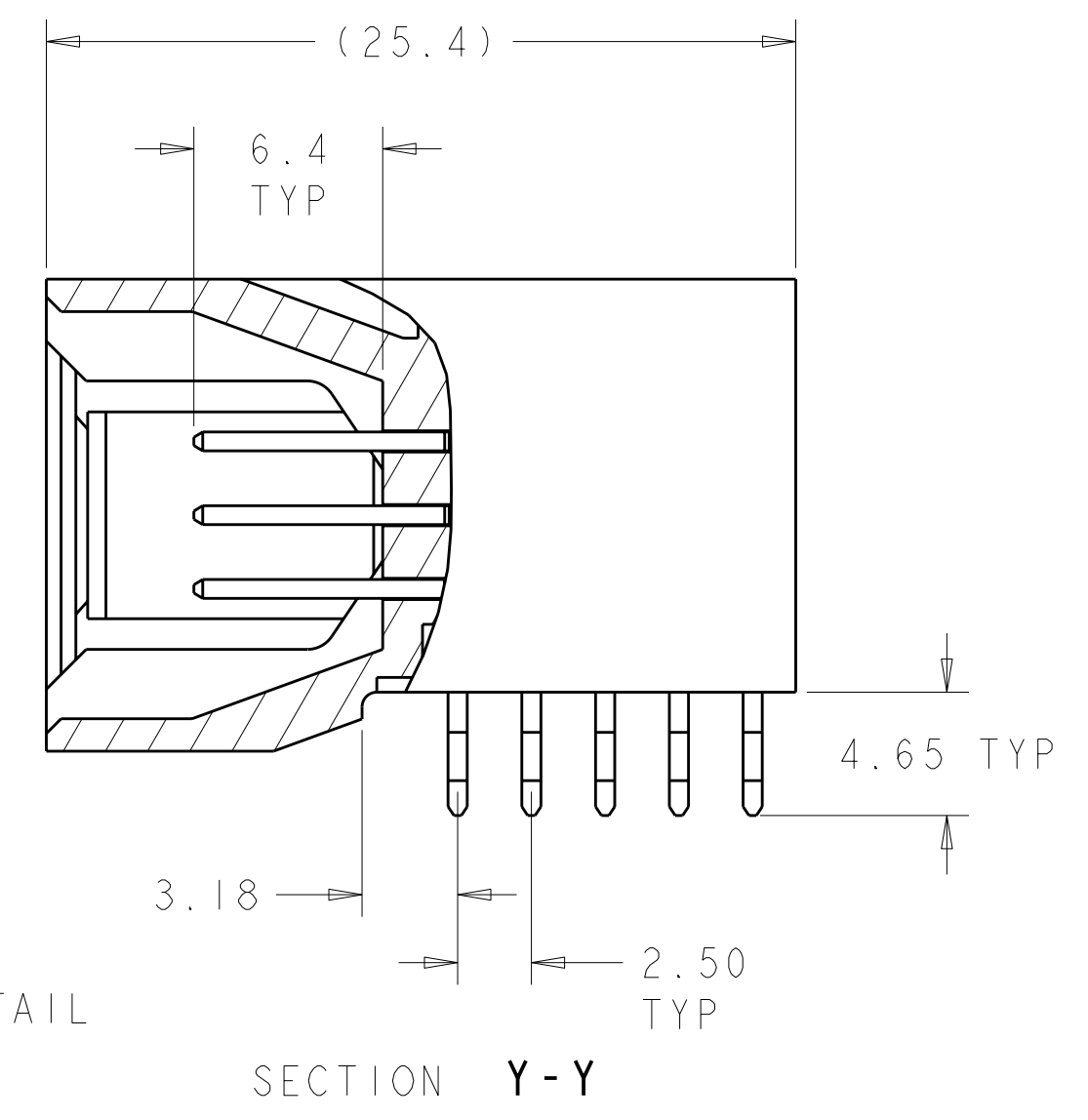
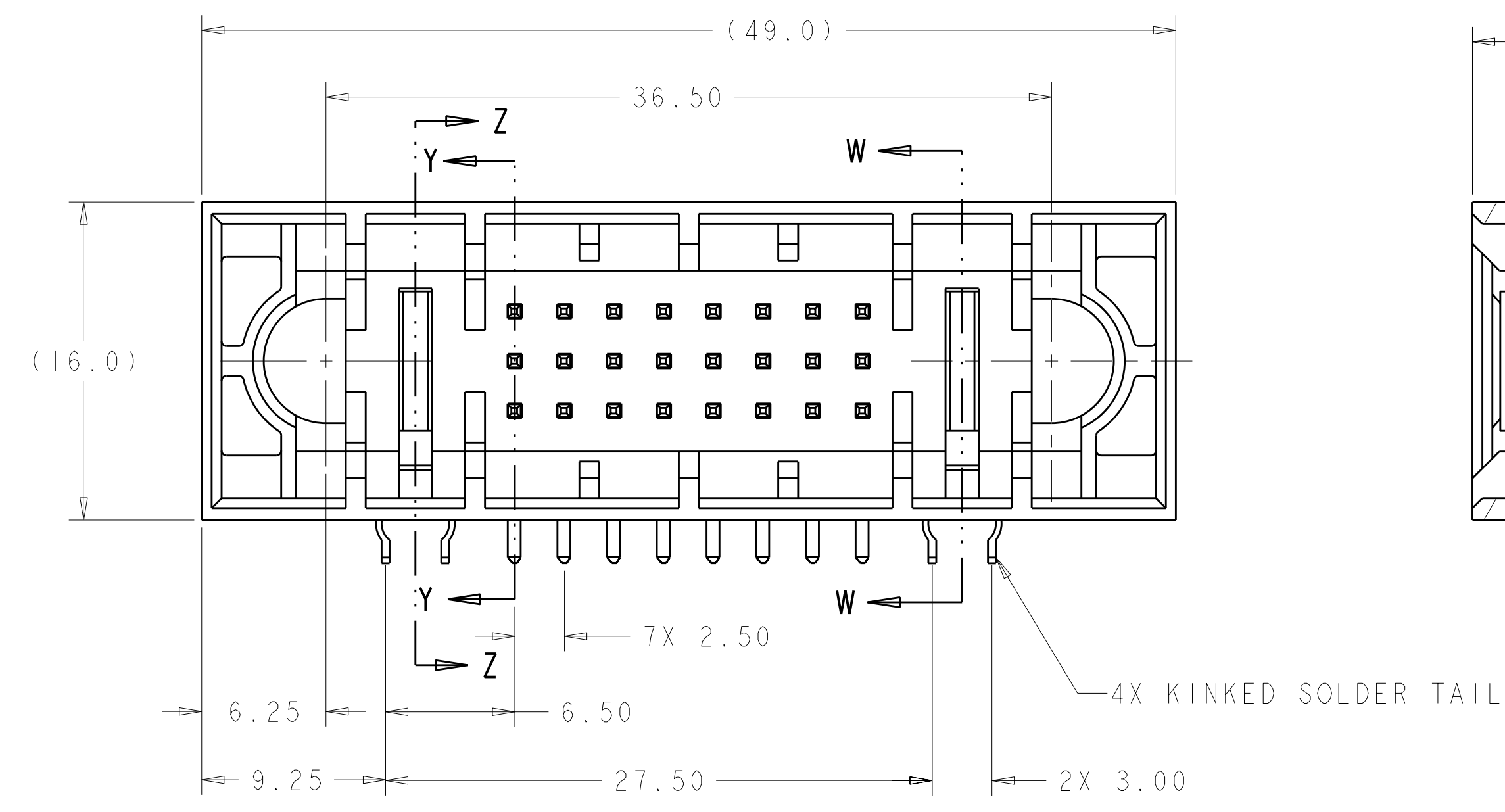
3. FINISH: CONTACTS: PLATING SELECTIVE GOLD 0.76µm MIN THK. OVER NICKEL 1.27µm MIN THK.  
 TERMINALS: TIN PLATE 3.05µm MIN THK. OVER NICKEL 1.27µm MIN THK.

4. ITEMS PROVIDED TO THIS SPECIFICATION TO BE PERMANENTLY IDENTIFIED PER THE FOLLOWING IDENTIFIER LABEL

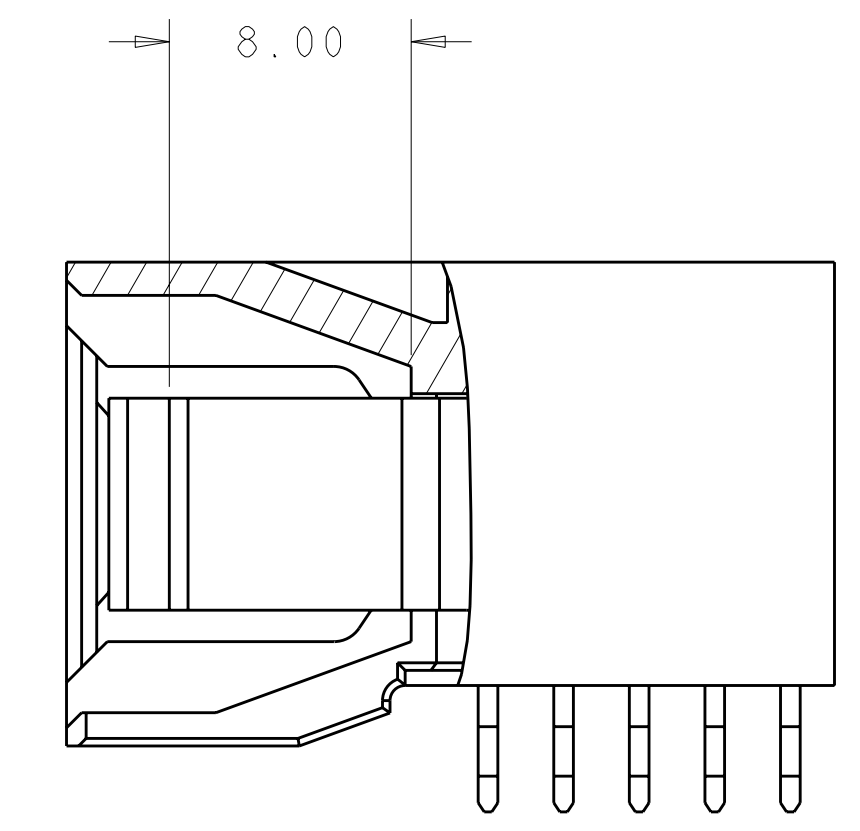
TYCO ELECTRONICS P/N DATE CODE (e.g. 0106)  
 XXXXXXXX-X XXXX



SECTION Z-Z



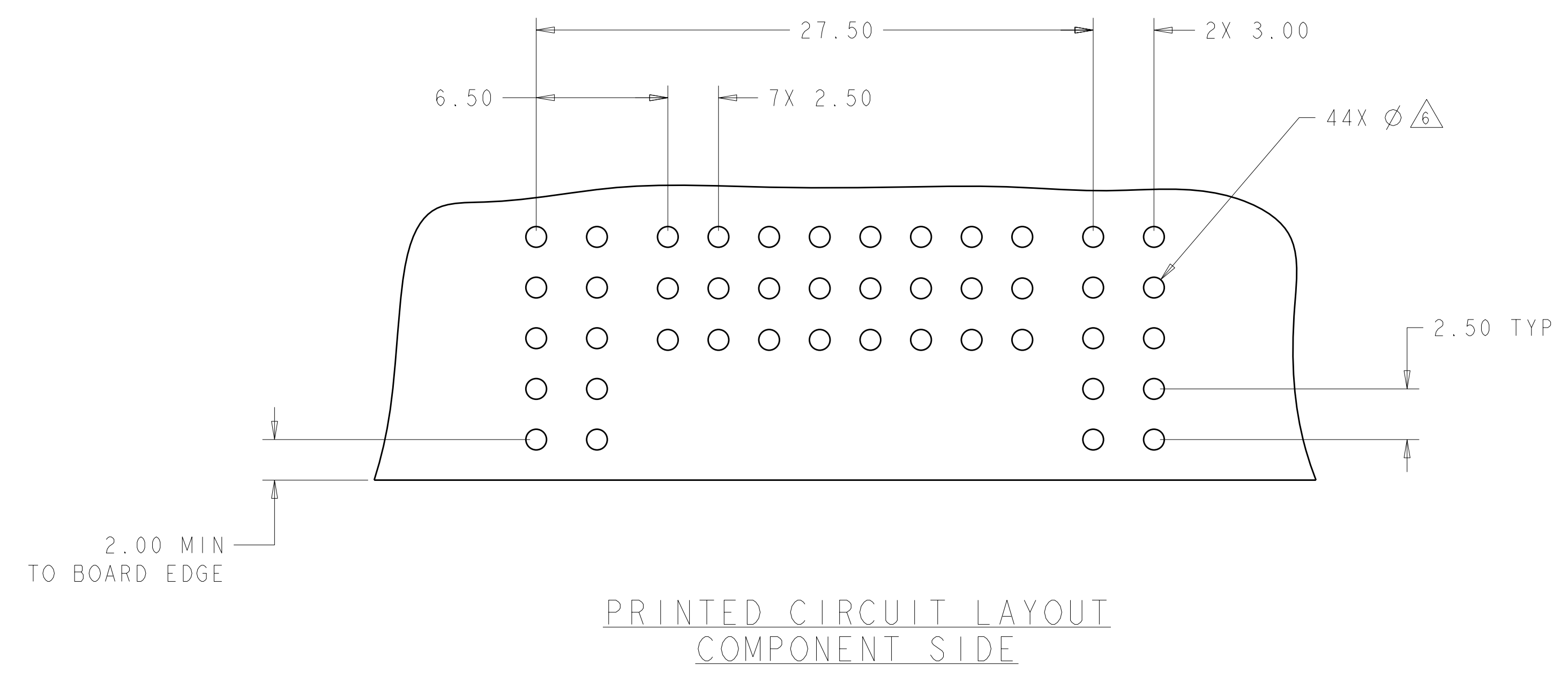
SECTION Y-Y



SECTION W-W

DIMENSIONS: mm 9 PLC ±.5 1 PLC ±.5 2 PLC ±.25 3 PLC ±.25 4 PLC ±.25 ANGLES ±.5		TOLERANCES UNLESS OTHERWISE SPECIFIED: 9 PLC ±.5 1 PLC ±.5 2 PLC ±.25 3 PLC ±.25 4 PLC ±.25 ANGLES ±.5		DWN R. GRZYBOWSKI 10FEB2011 CHK M. SYKES 10FEB2011 APVD M. SYKES 10FEB2011		Tyco Electronics Harrisburg, PA 17105-3608	
MATERIAL:		FINISH:		NAME: PIN CONNECTOR ASSEMBLY RIGHT ANGLE, SOLDER TAIL MINIPAK		SIZE: CAGE CODE: DRAWING NO: 6651939	
CUSTOMER DRAWING		SCALE: 4:1		SHEET 1 OF 3		REV A2	

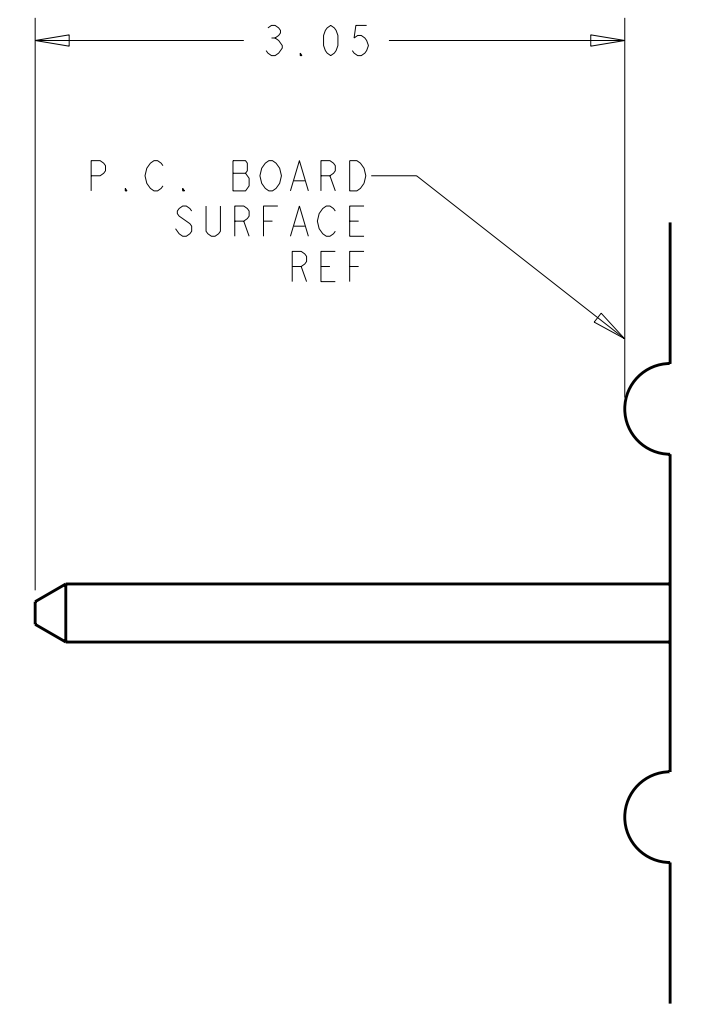
LOC	DIST	REVISIONS			
REV	DATE	DESCRIPTION	DATE	DWN	APVD
GP	00	-	-	-	-
		SEE SHEET 1			



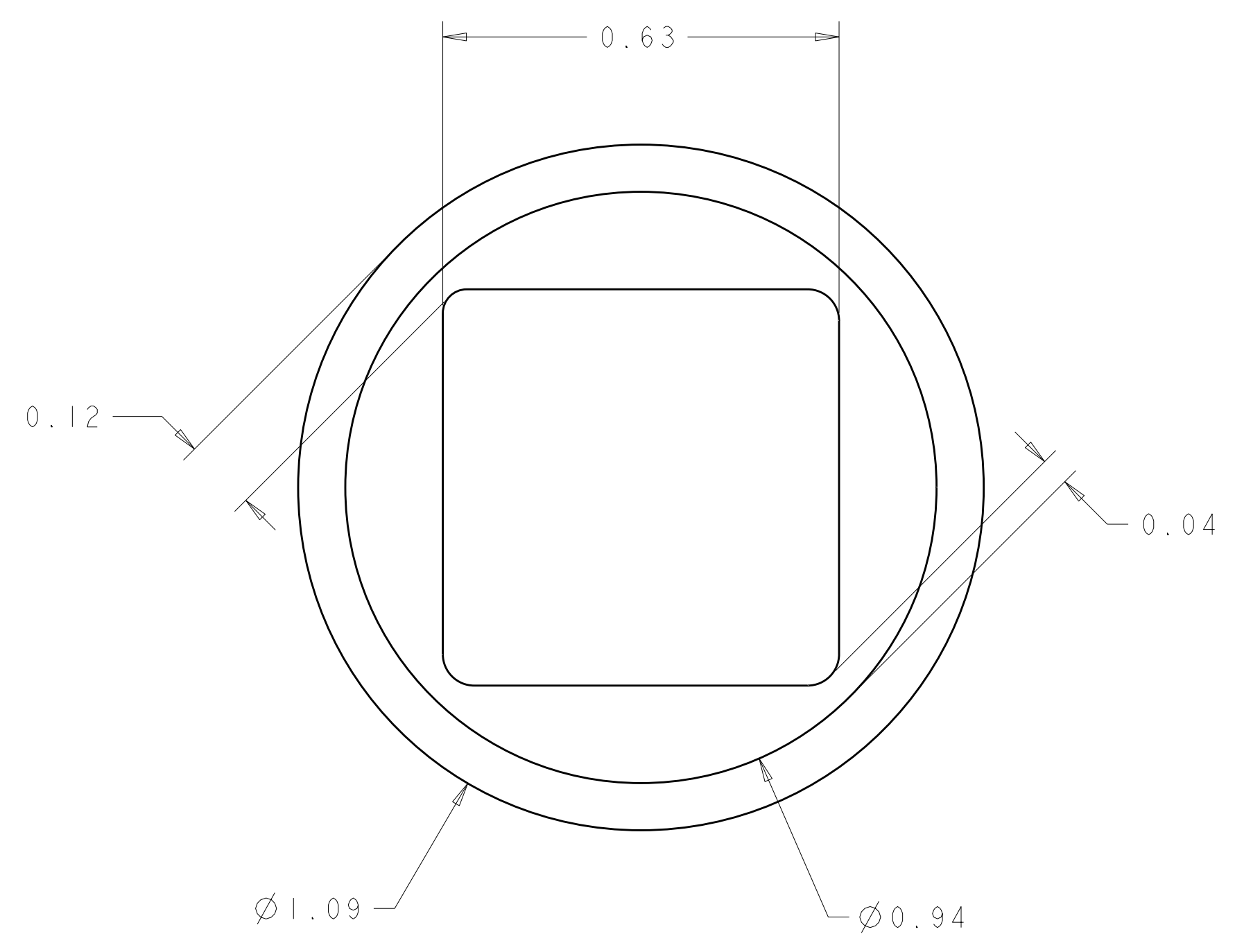
ELCON MINI PAK

<small>THIS DRAWING IS UNPUBLISHED. RELEASED FOR PUBLICATION BY TYCO ELECTRONICS CORPORATION. IT IS SUBJECT TO CHANGE WITHOUT NOTICE AND WITHOUT OBLIGATION. SHOULD BE CONTACTED FOR THE LATEST REVISION.</small>		DWN R. GRZYBOWSKI CHK M. SYKES APVD M. SYKES	10FEB2011 10FEB2011 10FEB2011	Tyco Electronics Harrisburg, PA 17105-3608
DIMENSIONS: mm 	TOLERANCES UNLESS OTHERWISE SPECIFIED: 0 PLC ±.5 1 PLC ±.5 2 PLC ±.25 3 PLC ±.5 4 PLC ±.5 ANGLES ±.5 FINISH	PRODUCT SPEC APPLICATION SPEC WEIGHT CUSTOMER DRAWING	NAME PIN CONNECTOR ASSEMBLY RIGHT ANGLE, SOLDER TAIL MINIPAK SIZE CAGE CODE DRAWING NO A100779C-6651939	RESTRICTED TO SCALE 4:1 SHEET 2 OF 3 REV A2

LOC	DIST	REVISIONS			
P	LTB	DESCRIPTION	DATE	DWN	APVD
GP	00	SEE SHEET 1	-	-	-



5. SOLDER PIN DETAIL  
SCALE 10 : 1



6. SOLDER TERMINATION AREA  
SCALE 40:1  
RECOMMENDED PRINTED CIRCUIT SOLDER HOLE  
FINISHED HOLE: Ø1.02 ±.08  
DRILLED HOLE: Ø1.15 ±.013  
COPPER PLATE: .025 MIN. (PER SURFACE)  
TIN PLATE: .008 MIN. (PER SURFACE)

<small>THIS DRAWING IS UNPUBLISHED. RELEASED FOR PUBLICATION 20                  © COPYRIGHT 20 BY TYCO ELECTRONICS CORPORATION, ALL RIGHTS RESERVED.</small>		DWN R. GRZYBOWSKI 10FEB2011 CHK M. SYKES 10FEB2011 APVD M. SYKES 10FEB2011	Tyco Electronics Harrisburg, PA 17105-3608
DIMENSIONS: mm 	TOLERANCES UNLESS OTHERWISE SPECIFIED: 0 PLC ±.5 1 PLC ±.5 2 PLC ±.25 3 PLC ±.25 4 PLC ±.5 ANGLES ±.5 FINISH	NAME PRODUCT SPEC APPLICATION SPEC WEIGHT CUSTOMER DRAWING	PIN CONNECTOR ASSEMBLY RIGHT ANGLE, SOLDER TAIL MINIPAK SIZE CAGE CODE DRAWING NO A100779C-6651939 SCALE 4:1 SHEET 3 OF 3 REV A2