



Chipsmall Limited consists of a professional team with an average of over 10 year of expertise in the distribution of electronic components. Based in Hongkong, we have already established firm and mutual-benefit business relationships with customers from,Europe,America and south Asia,supplying obsolete and hard-to-find components to meet their specific needs.

With the principle of “Quality Parts,Customers Priority,Honest Operation,and Considerate Service”,our business mainly focus on the distribution of electronic components. Line cards we deal with include Microchip,ALPS,ROHM,Xilinx,Pulse,ON,Everlight and Freescale. Main products comprise IC,Modules,Potentiometer,IC Socket,Relay,Connector.Our parts cover such applications as commercial,industrial, and automotives areas.

We are looking forward to setting up business relationship with you and hope to provide you with the best service and solution. Let us make a better world for our industry!



## Contact us

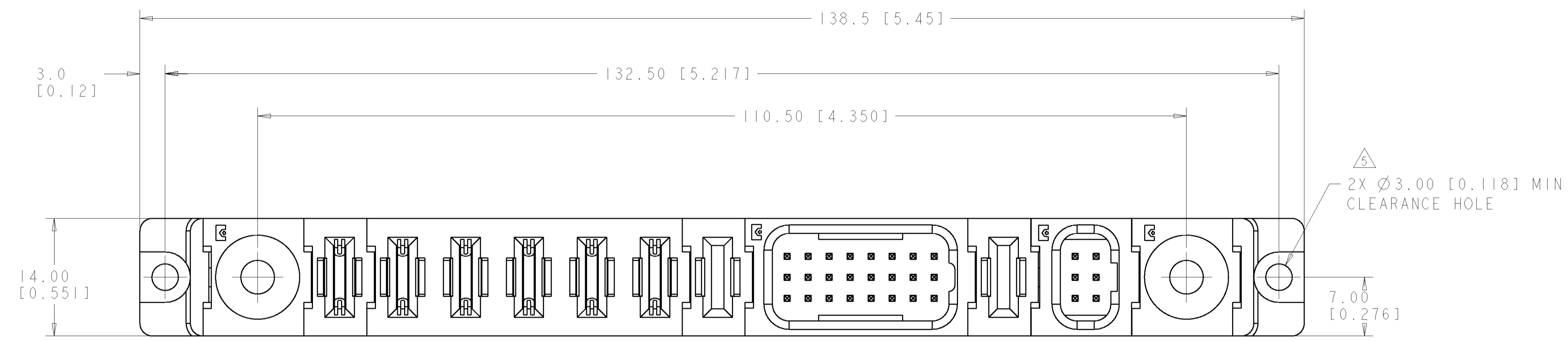
Tel: +86-755-8981 8866 Fax: +86-755-8427 6832

Email & Skype: info@chipsmall.com Web: www.chipsmall.com

Address: A1208, Overseas Decoration Building, #122 Zhenhua RD., Futian, Shenzhen, China



LOC	DIST	REVISIONS			
P	LTR	DESCRIPTION	DATE	DNW	APVD
A		NEW RELEASE	11 JUN 2007	RG	PD



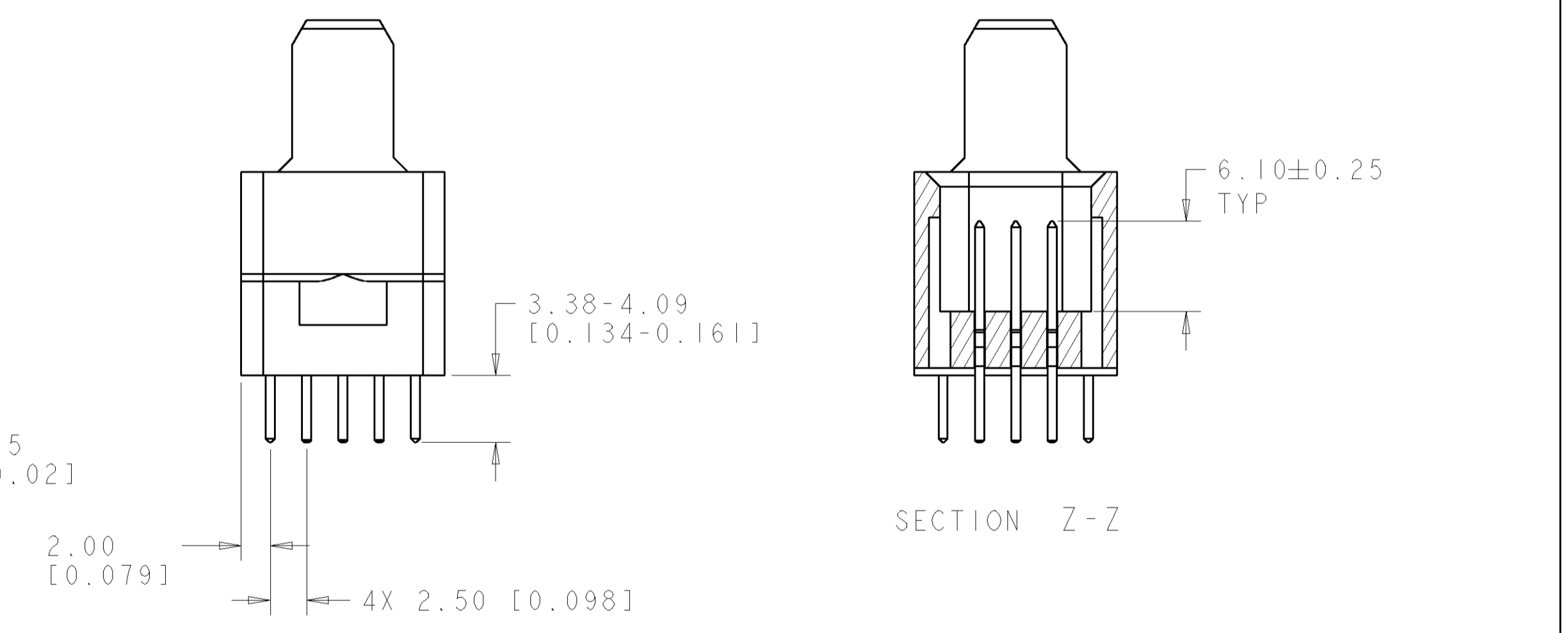
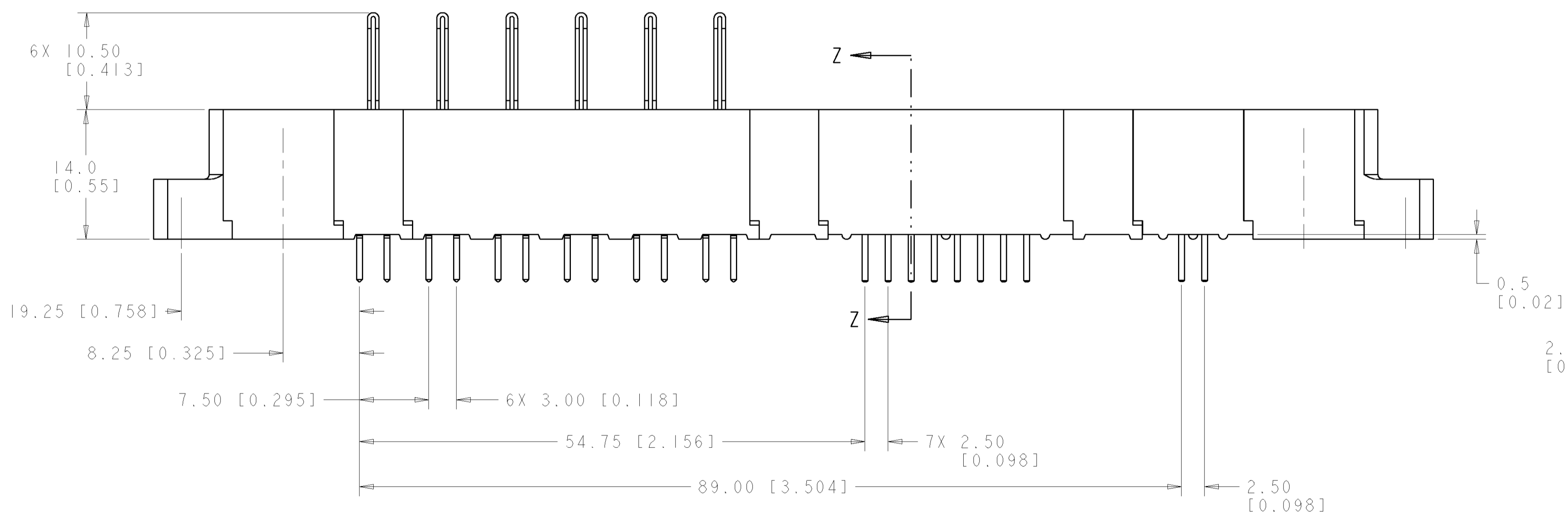
- PART NUMBER CHANGES AND OR DESIGN CHANGES AFFECTING ITEM INTERCHANGEABILITY REQUIRE PRIOR TYCO ELECTRONICS APPROVAL AND AUTHORIZATION BY REVISION TO THIS DRAWING.
- MATERIAL:  
 INSULATORS - THERMOPLASTIC, GLASS REINFORCED, COLOR: BLACK, UL94V-0 FLAMMABILITY RATED.  
 POWER CONTACTS - PHOSPHOR BRONZE ALLOY, COPPER ALLOY  
 SOLDER SIGNAL PINS-BRASS ALLOY  
 CROWN BAND-BERYLLIUM COPPER ALLOY

- FINISH:  
 CONTACTS - GOLD PLATE 0.76µM MIN. THK. OVER NICKEL 1.27µM MIN. THK.  
 SOLDER TAILS, TIN 3.05µM MIN. THK. OVER NICKEL 1.27µM MIN THK.

ITEMS PROVIDED TO THIS SPECIFICATION TO BE PERMANENTLY IDENTIFIED PER THE FOLLOWING IDENTIFIER LABEL

TYCO ELECTRONICS P/N      DATE CODE (e.g. 0106)  
 XXXXXXXX-X      XXXX

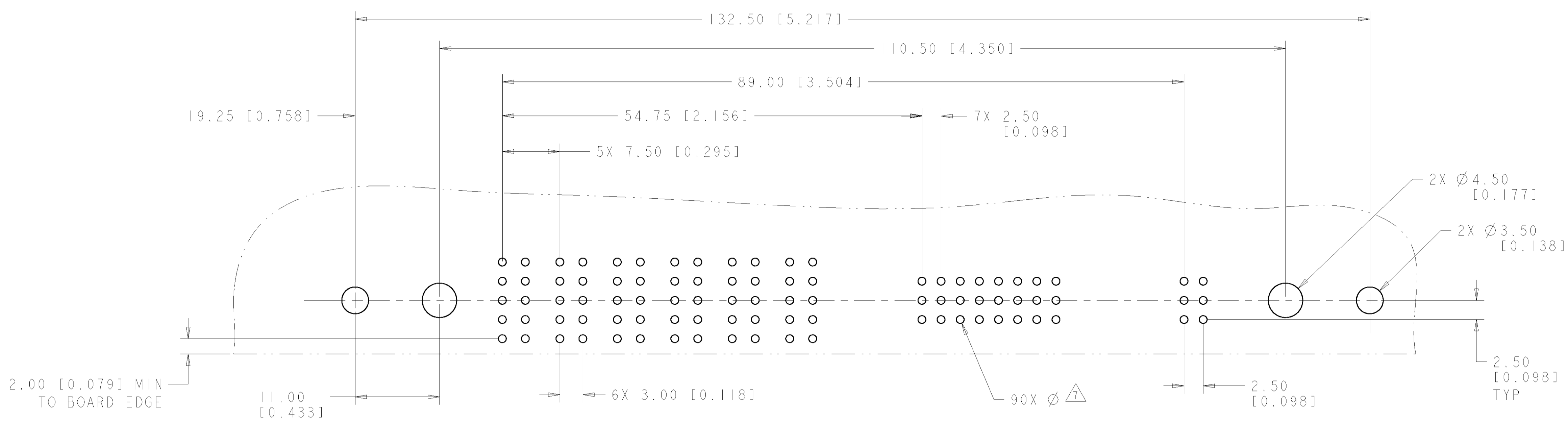
MOUNTING FLANGE ACCEPTS M3 OR #4-40 SCREWS. (USER SUPPLIED)



ELCON FLATPAQ

AS SHOWN		6651981-1	
DESCRIPTION		PART NUMBER	
DIMENSIONS: mm TOLERANCES UNLESS OTHERWISE SPECIFIED: 0 PLC ±.3 [0.012] 1 PLC ±.3 [0.012] 2 PLC ±.15 [0.006] 3 PLC ±. 4 PLC ±. ANGLES ±.5 FINISH		DWN R. GRZYBOWSKI 11 JUN 2007 ENR P. DAMATO 11 JUN 2007 APVD S. FLICKINGER 11 JUN 2007 NAME PRODUCT SPEC APPLICATION SPEC WEIGHT CUSTOMER DRAWING	
Tyco Electronics Harrisburg, PA 17105-3608		PIN CONNECTOR ASSEMBLY STRAIGHT, SOLDER TAILS FLATPAQ SIZE CAGE CODE DRAWING NO RESTRICTED TO A 100779 C=6651981 SCALE 3:1 SHEET 1 OF 3 REV A	

LOC	DIST	REVISIONS			
P	LTR	DESCRIPTION	DATE	DRN	APVD
GP	00	SEE SHEET 1	-	-	-



PRINTED CIRCUIT LAYOUT  
 COMPONENT SIDE

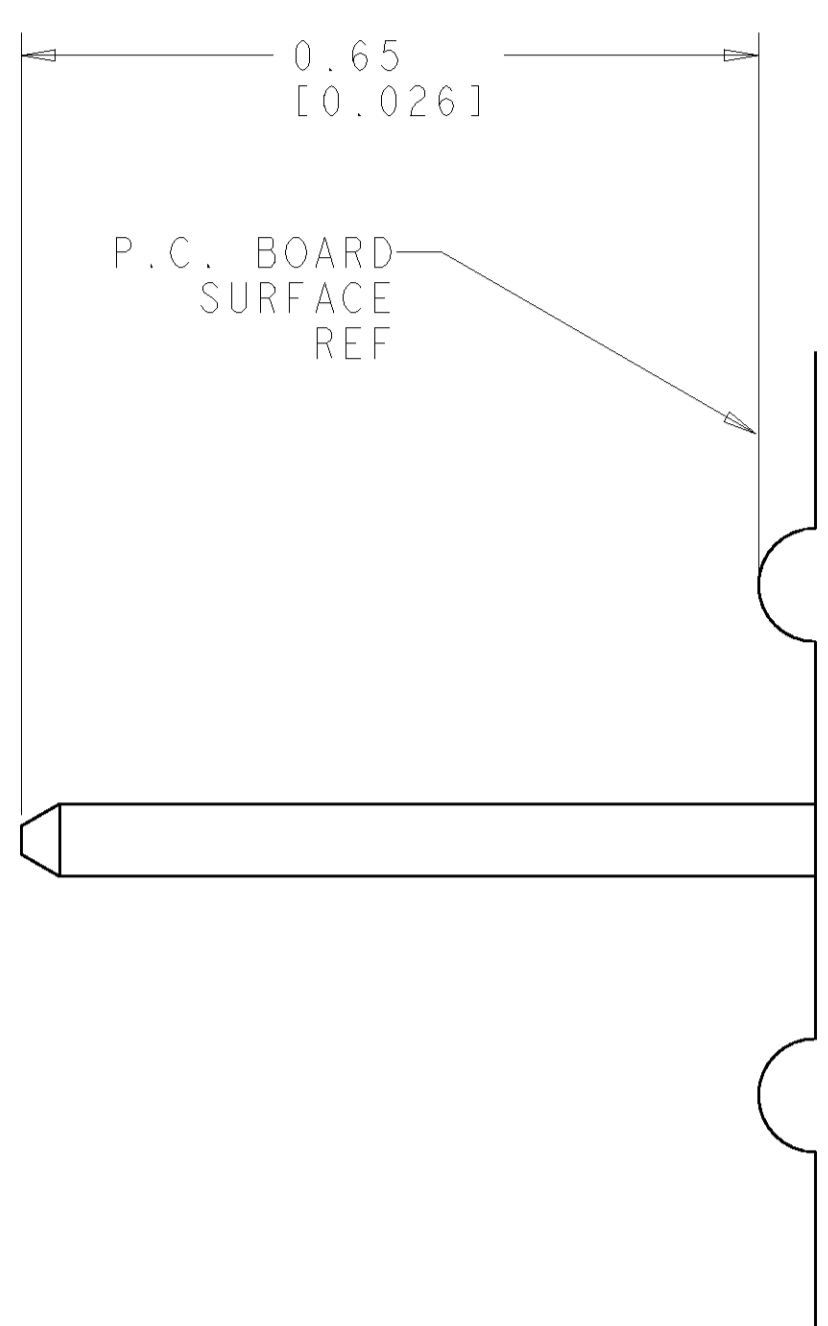
CONNECTOR	EQUIVALENT CATALOG MODULE #	MODULE QTY	CONTACT QTY	SIZE NO.	MATING PIN	MAX. CURRENT (PER CONTACT)	CONTACT SPACING	VOLTAGE RATING
PIN	FP101	6	6	8	1.25 X 7.00 [.049 X .276]	35 amps	7.50 [.2953]	250 VOLTS
	FP312	1	6	22	.64 [.025] SQ.	3 amps	2.50 [.0984]	125 VOLTS
	FP300	1	24	22	.64 [.025] SQ.	3 amps	2.50 [.0984]	125 VOLTS
	FP500	1	LEFT MOUNTING FLANGE					
	FP511	2	SPACER					
	FP501	1	RIGHT MOUNTING FLANGE					
	FP502	2	STRAIGHT GUIDE SOCKETS					

TYCO ELECTRONICS CORPORATION  
 THE INFORMATION CONTAINED HEREIN IS UNCLASSIFIED EXCEPT WHERE SHOWN OTHERWISE  
 THIS INFORMATION IS CLASSIFIED BY THE CONTROLLING AND CONTINUING ORGANIZATION  
 NUMBER OF CONTACTS FOR THE CREDIT POSITION.

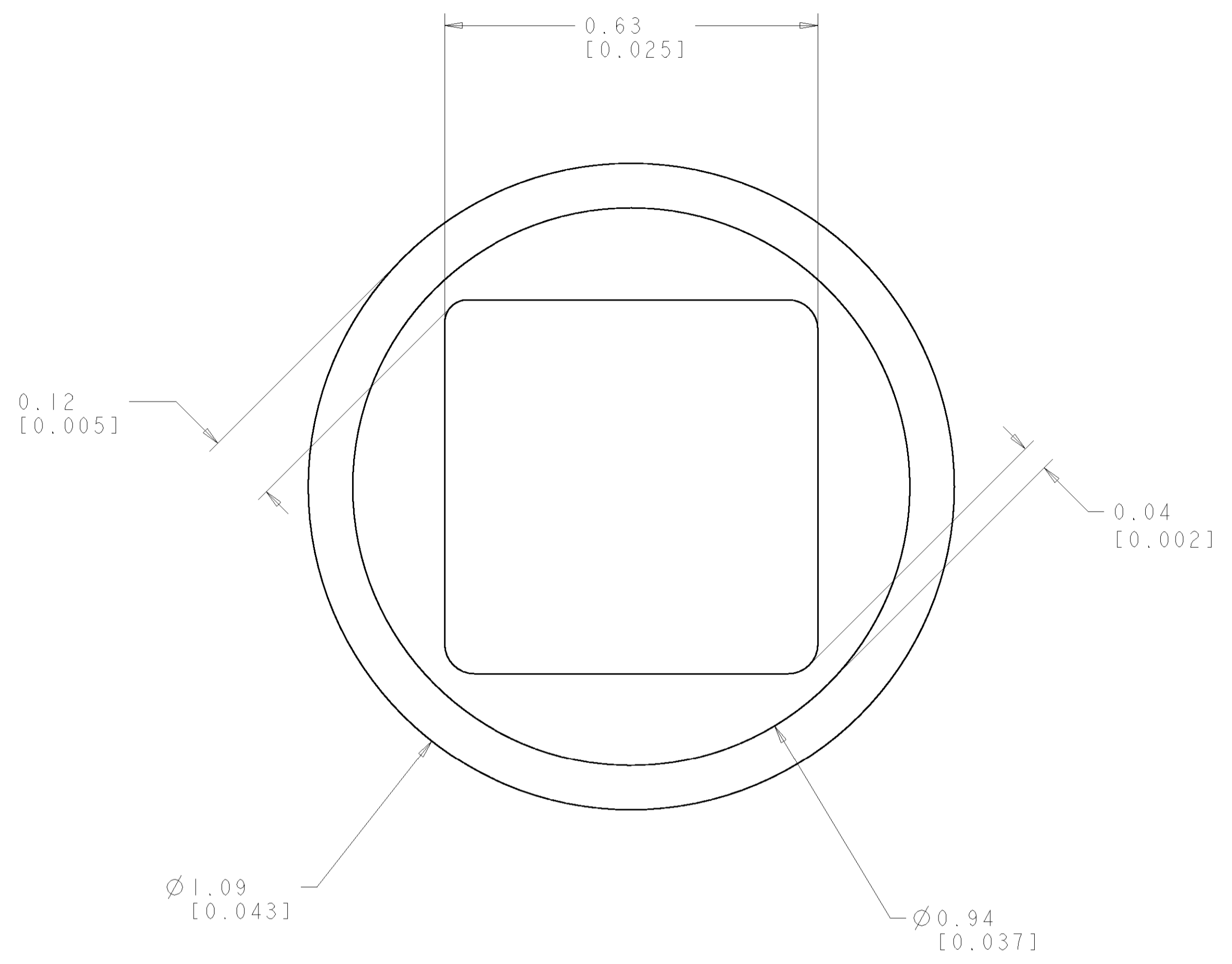
DIMENSIONS:	TOLERANCES UNLESS OTHERWISE SPECIFIED:	DRN	B. GRZYBOWSKI	11 JUN 2007	Tyco Electronics Harrisburg, PA 17105-3608
mm	0 PLC ±.3 [.012] 1 PLC ±.3 [.012] 2 PLC ±.15 [.006] 3 PLC ±.15 [.006] 4 PLC ±.15 [.006] ANGLES ±.5	CHK	P. DAMATO	11 JUN 2007	
MATERIAL	FINISH	APVD	S. FLICKINGER		
		NAME	PIN CONNECTOR ASSEMBLY STRAIGHT, SOLDER TAILS FLATPAQ		

SIZE: A1 00779 C=6651981  
 SCALE: 3:1 SHEET 2 OF 3 REV A  
 CUSTOMER DRAWING

LOC	DIST	REVISIONS					
GP	00	P.	LTR	DESCRIPTION	DATE	DWN	APVD
		-	-	SEE SHEET 1	-	-	-



6. SOLDER PIN DETAIL  
SCALE 10:1



**△ SOLDER TERMINATION AREA**  
 SCALE 40:1  
 RECOMMENDED PRINTED CIRCUIT SOLDER HOLE  
 FINISHED HOLE: ∅1.02 [0.040] ±0.08 [0.003]  
 DRILLED HOLE: ∅1.15 [0.0453] ±0.013 [0.0005]  
 COPPER PLATE: 0.025 [0.0010] MIN  
 TIN PLATE: 0.008 [0.0003] MIN. (PER SURFACE)

<small>THIS DRAWING IS UNPUBLISHED. RELEASED FOR PUBLICATION. THIS DRAWING IS THE PROPERTY OF TYCO ELECTRONICS CORPORATION. IT IS TO BE USED ONLY FOR THE PURPOSES AND ORGANIZATION SPECIFIED HEREIN. ANY REPRODUCTION OR DISTRIBUTION OF THIS DRAWING WITHOUT THE WRITTEN PERMISSION OF TYCO ELECTRONICS CORPORATION IS STRICTLY PROHIBITED.</small>		DWN B. GRZYBOWSKI   JUN2007 CHK P. DAMATO   JUN2007 APVD S. FLICKINGER   JUN2007	Tyco Electronics Harrisburg, PA 17105-3608
DIMENSIONS: mm 	TOLERANCES UNLESS OTHERWISE SPECIFIED: 0 PLC ±. 1 PLC ±.3 [0.012] 2 PLC ±.15 [0.006] 3 PLC ±. 4 PLC ±. ANGLES ± 5 FINISH -	NAME PIN CONNECTOR ASSEMBLY STRAIGHT, SOLDER TAILS FLATPAQ PRODUCT SPEC - APPLICATION SPEC - WEIGHT - CUSTOMER DRAWING	SIZE A   00779   C=6651981 SCALE 3:1 SHEET 3 OF 3 REV A