



Chipsmall Limited consists of a professional team with an average of over 10 year of expertise in the distribution of electronic components. Based in Hongkong, we have already established firm and mutual-benefit business relationships with customers from,Europe,America and south Asia,supplying obsolete and hard-to-find components to meet their specific needs.

With the principle of “Quality Parts,Customers Priority,Honest Operation,and Considerate Service”,our business mainly focus on the distribution of electronic components. Line cards we deal with include Microchip,ALPS,ROHM,Xilinx,Pulse,ON,Everlight and Freescale. Main products comprise IC,Modules,Potentiometer,IC Socket,Relay,Connector.Our parts cover such applications as commercial,industrial, and automotives areas.

We are looking forward to setting up business relationship with you and hope to provide you with the best service and solution. Let us make a better world for our industry!



Contact us

Tel: +86-755-8981 8866 Fax: +86-755-8427 6832

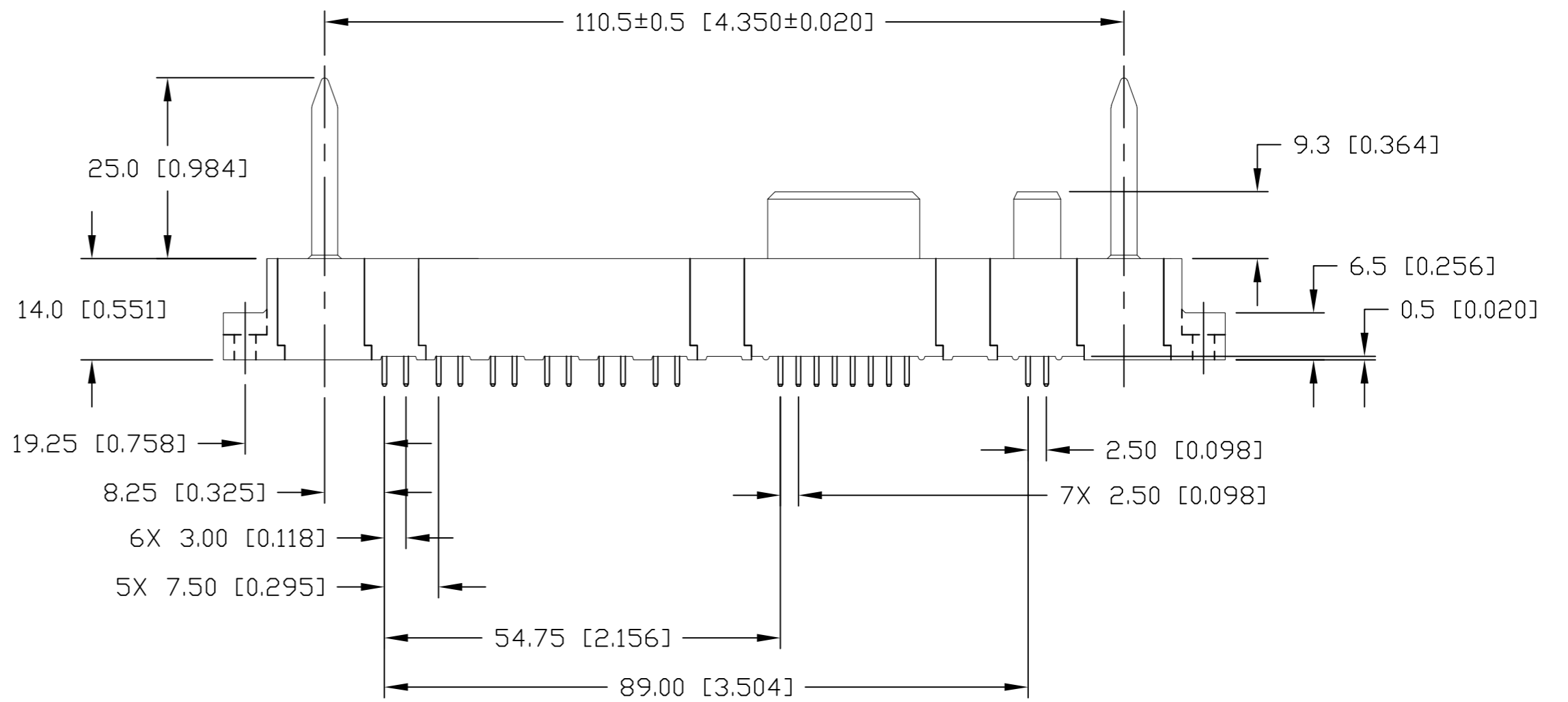
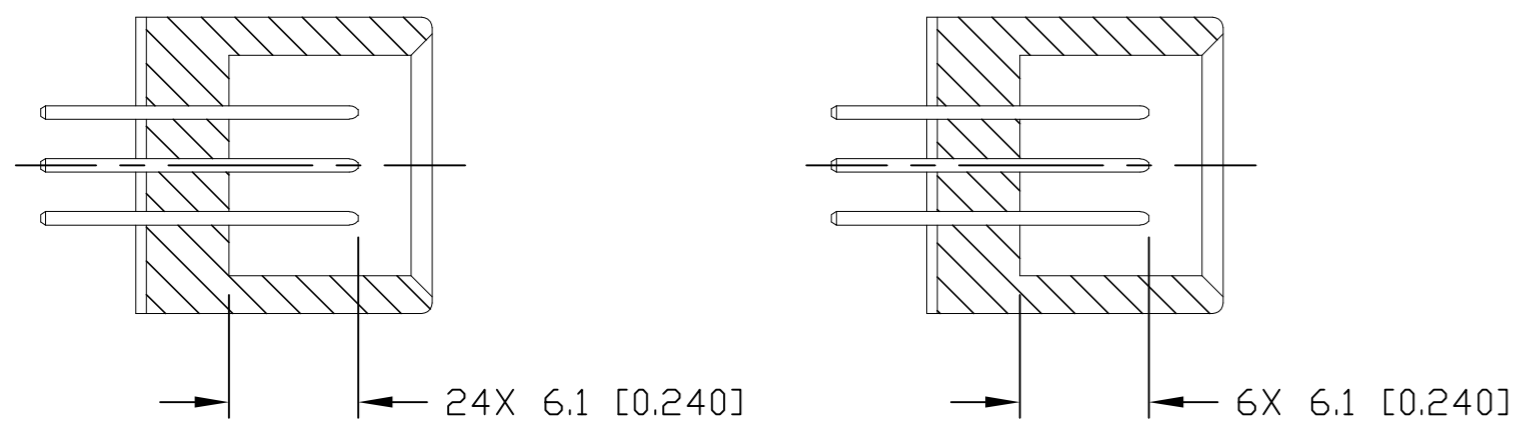
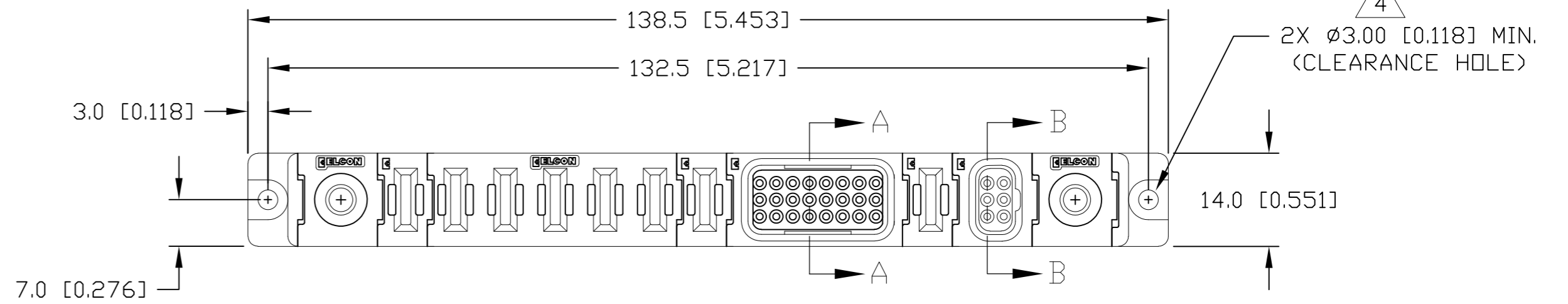
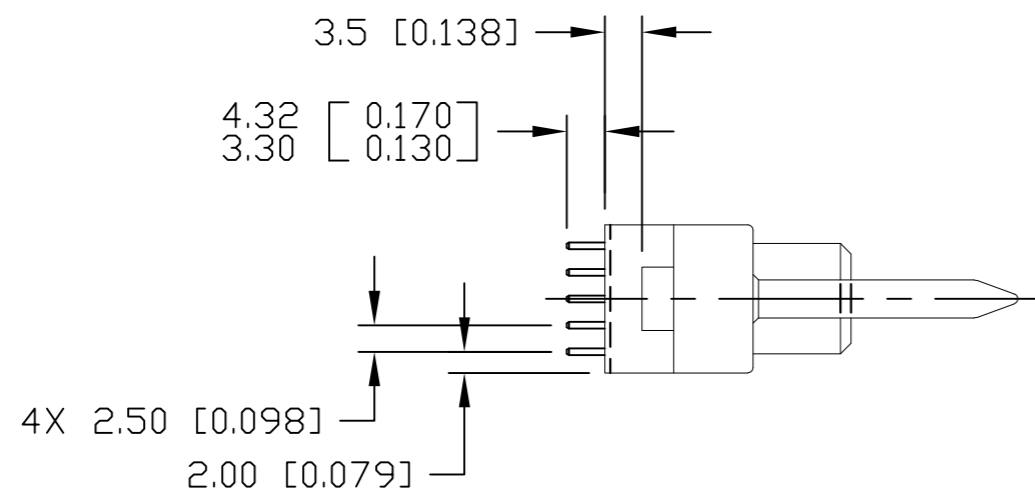
Email & Skype: info@chipsmall.com Web: www.chipsmall.com

Address: A1208, Overseas Decoration Building, #122 Zhenhua RD., Futian, Shenzhen, China



THIS DRAWING IS UNPUBLISHED. RELEASED FOR PUBLICATION
 © COPYRIGHT BY TYCO ELECTRONICS CORPORATION. ALL RIGHTS RESERVED.

LOC		DIST		REVISIONS			
GP	00	P	LTR	DESCRIPTION	DATE	DWN	APVD
		A		NEW RELEASE	24MAY07	RG	PD

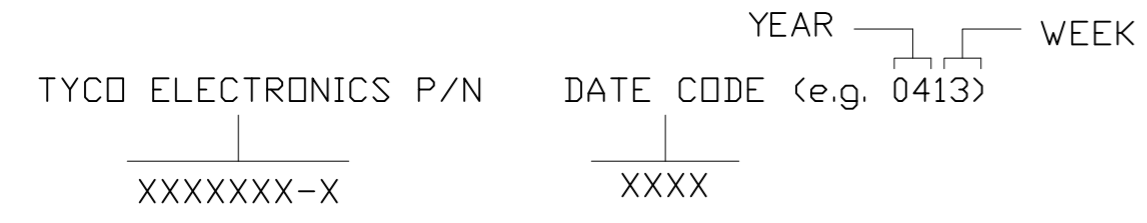


SECTION A-A SECTION B-B
 GENDER CHANGER NOT SHOWN FOR CLARITY

- PART NUMBER CHANGES AND OR DESIGN CHANGES AFFECTING ITEM INTERCHANGEABILITY REQUIRE PRIOR TYCO ELECTRONICS APPROVAL AND AUTHORIZATION BY REVISION TO THIS DRAWING.
- MATERIALS:
 INSULATORS: THERMOPLASTIC, GLASS REINFORCED, COLOR BLACK, UL94V-0 FLAMMABILITY RATED.
 SOLDER SIGNAL PIN: BRASS ALLOY.
 POWER CONTACTS: PHOSPHOR BRONZE ALLOY, COPPER ALLOY.
 CROWN BANDS: BERYLLIUM COPPER ALLOY.
 GUIDE PIN: BRASS COPPER ALLOY.
- FINISHES:
 CONTACTS: GOLD PLATED 0.76µm MIN THK. OVER NICKEL
 1.27µm MIN. THK.
 SOLDER TAILS, TIN PLATED 3.05µm MIN THK. OVER NICKEL
 1.27µm MIN. THK.
 GUIDE PIN: NICKEL PLATED 1.27µm THK.

4 MOUNTING FLANGES ACCEPT M3 OR #4-40 SCREWS, (USER SUPPLIED)

5. ITEMS PROVIDED TO THIS SPECIFICATION TO BE PERMANENTLY IDENTIFIED PER THE FOLLOWING IDENTIFIER:



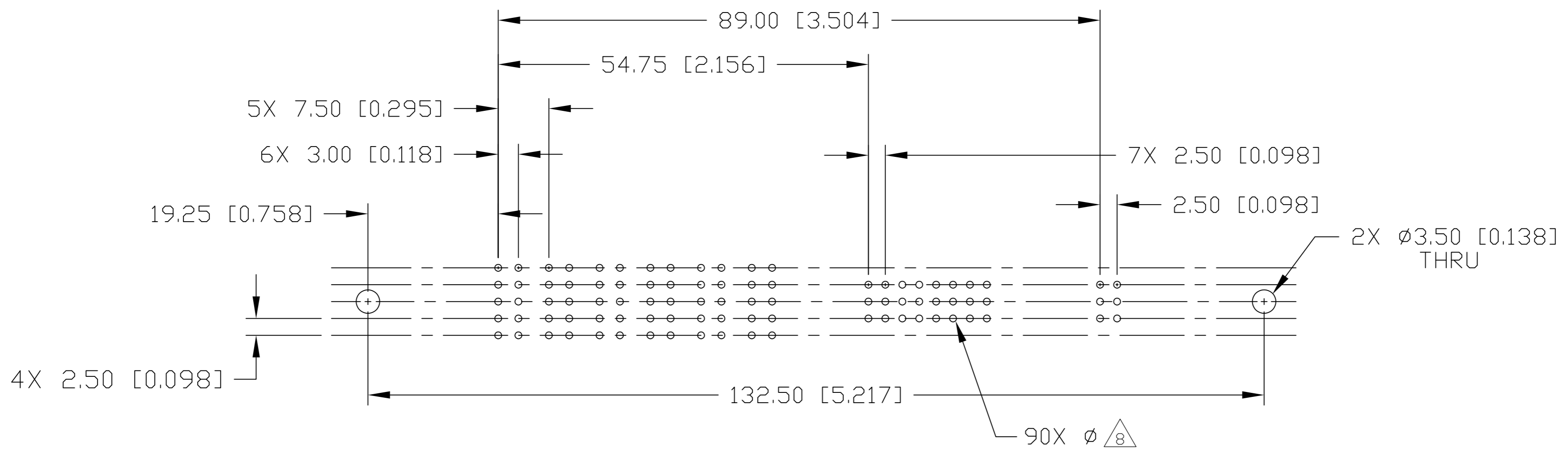
6. THIS CONNECTOR MATES WITH PIN CONNECTOR PN 6651981-1

AS SHOWN	6651982-1
DESCRIPTION	PART NUMBER

THIS DRAWING IS A CONTROLLED DOCUMENT.		DWN: R.GRZYBOWSKI 24MAY2007	Tyco Electronics Corporation Harrisburg, PA 17105-3608	
DIMENSIONS: mm		CHK: P.DAMATO 24MAY07	NAME: S.FLICKINGER	
TOLERANCES UNLESS OTHERWISE SPECIFIED:		APVD: S.FLICKINGER 24MAY07	PRODUCT SPEC: -	
0 PLC ± -		APPLICATION SPEC: -		
1 PLC ± .5 [0.02]		WEIGHT: -		
2 PLC ± .25 [0.010]		SIZE: A2		
3 PLC ± -		CAGE CODE: 00779		
4 PLC ± -		DRAWING NO: 6651982		
ANGLES ± .5		RESTRICTED TO: -		
FINISH: -		SCALE: 3:1		
MATERIAL: -		SHEET: 1 of 3		
CUSTOMER DRAWING		REV: A		

THIS DRAWING IS UNPUBLISHED. RELEASED FOR PUBLICATION
 © COPYRIGHT BY TYCO ELECTRONICS CORPORATION. ALL RIGHTS RESERVED.

LOC	DIST	REVISIONS			
P	LTR	DESCRIPTION	DATE	DWN	APVD
GP	00	SEE SHEET 1	-	-	-



PRINTED CIRCUIT LAYOUT

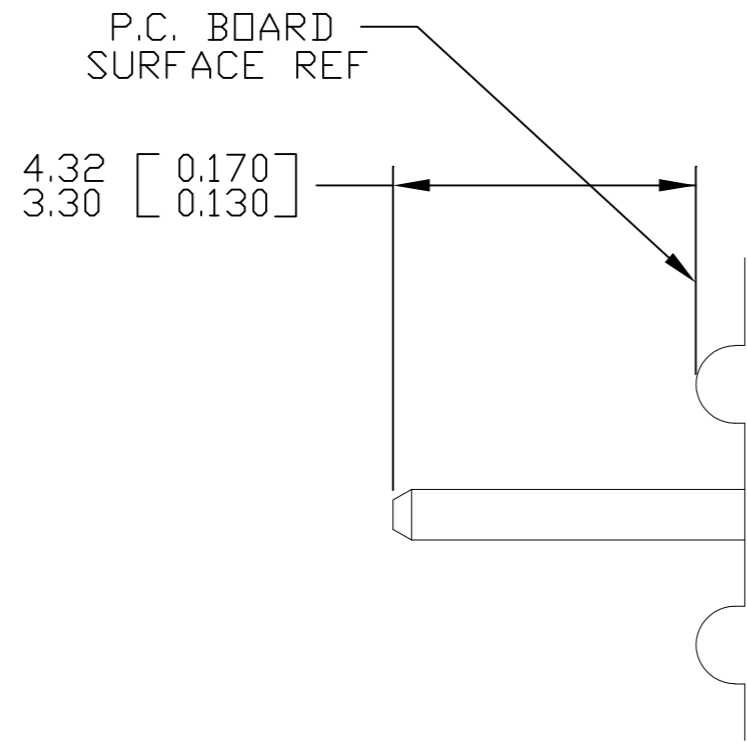
CONNECTOR	CATALOG MODULE #	QTY	SIZE NO.	CONTACT QTY	MATING PIN	MAX. CURRENT (PER CONTACT)	CONTACT SPACING	VOLTAGE RATING*
SOCKET	FP100	6	8	6	1.25 X 7.00 [.049 X .276]	35 AMPERES	7.50 [2.953]	250 VOLTS
	FP301	1	22	24	.64 [0.025] SQ.	3 AMPERES	2.50 [0.0984]	125 VOLTS
	FP313	1	22	6	.64 [0.025] SQ.	3 AMPERES	2.50 [0.0984]	125 VOLTS
	FP511	2	STRAIGHT 250V SPACER					
	FP503	2	STRAIGHT GUIDE PIN					
	FP500	1	LEFT MOUNTING FLANGE					
	FP501	1	RIGHT MOUNTING FLANGE					

THIS DRAWING IS A CONTROLLED DOCUMENT.

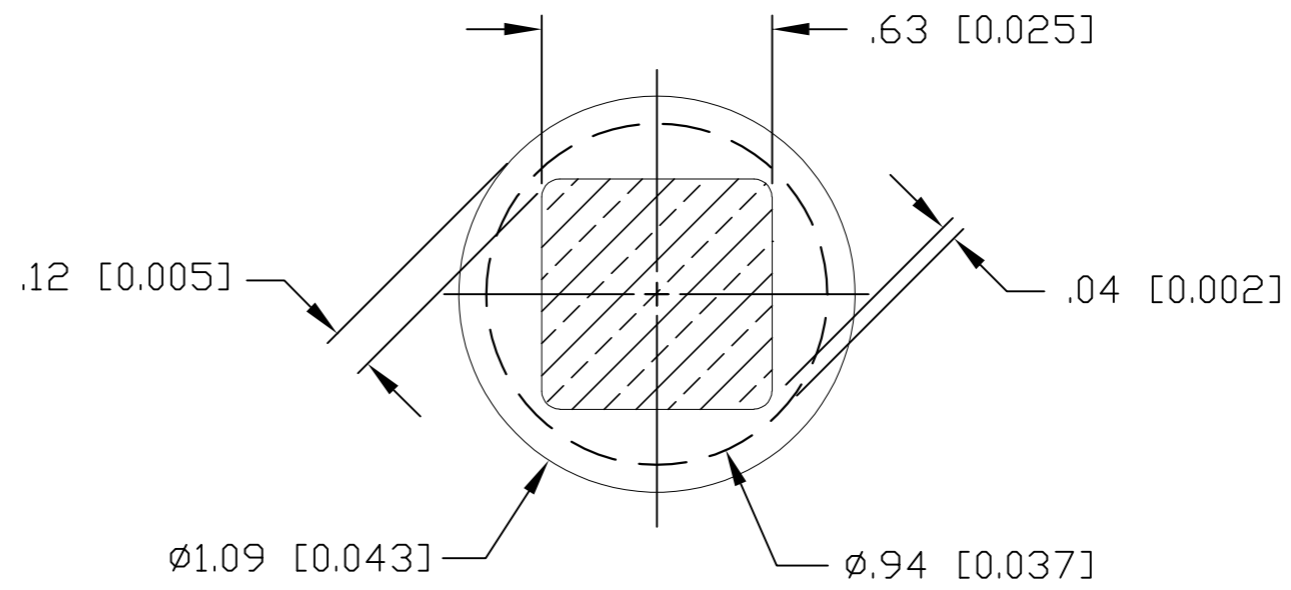
DWN	R.GRZYBOWSKI	24MAY2007	Tyco Electronics Corporation Harrisburg, PA 17105-3608			
CHK	P.DAMATO	24MAY07				
APVD	S.FLICKINGER	24MAY07				
PRODUCT SPEC	NAME					
APPLICATION SPEC	NAME		SOCKET CONNECTOR STRAIGHT, SOLDER TAILS FLATPAQ			
MATERIAL	FINISH	WEIGHT	SIZE	CAGE CODE	DRAWING NO	RESTRICTED TO
-	-	-	A2	00779	C=6651982	-
CUSTOMER DRAWING			SCALE	SHEET	REV	
			3:1	2 OF 3	A	

THIS DRAWING IS UNPUBLISHED. RELEASED FOR PUBLICATION
 © COPYRIGHT BY TYCO ELECTRONICS CORPORATION. ALL RIGHTS RESERVED.

LOC	DIST	REVISIONS			
P	LTR	DESCRIPTION	DATE	DWN	APVD
GP	00	SEE SHEET 1	-	-	-



7. SOLDER PIN DETAIL



8 SOLDER TERMINATION AREA

RECOMMENDED PRINTED CIRCUIT HOLE

FINISHED HOLE: ø1.02 [0.040] ±.08 [0.003]
 DRILLED HOLE: ø1.15 [0.0453] ±.013 [0.0005]
 COPPER PLATE: .025 [0.0010] MINIMUM (PER SURFACE)
 TIN PLATE: .008 [0.0003] MINIMUM (PER SURFACE)

THIS DRAWING IS A CONTROLLED DOCUMENT.		DWN R.GRZYBOWSKI 24MAY2007	Tyco Electronics Corporation Harrisburg, PA 17105-3608	
DIMENSIONS: mm		CHK P.DAMATO 24MAY07	NAME	
TOLERANCES UNLESS OTHERWISE SPECIFIED:		APVD S.FLICKINGER 24MAY07	SOCKET CONNECTOR STRAIGHT, SOLDER TAILS FLATPAQ	
0 PLC ± - 1 PLC ± .5 [02] 2 PLC ± .25 [010] 3 PLC ± - 4 PLC ± - ANGLES ± .5		PRODUCT SPEC APPLICATION SPEC	SIZE A2	RESTRICTED TO
MATERIAL	FINISH	WEIGHT	CAGE CODE 00779	DRAWING NO C=6651982
-	-	-	SCALE 3:1	SHEET 3 OF 3
CUSTOMER DRAWING			REV A	