



Chipsmall Limited consists of a professional team with an average of over 10 year of expertise in the distribution of electronic components. Based in Hongkong, we have already established firm and mutual-benefit business relationships with customers from,Europe,America and south Asia,supplying obsolete and hard-to-find components to meet their specific needs.

With the principle of “Quality Parts,Customers Priority,Honest Operation,and Considerate Service”,our business mainly focus on the distribution of electronic components. Line cards we deal with include Microchip,ALPS,ROHM,Xilinx,Pulse,ON,Everlight and Freescale. Main products comprise IC,Modules,Potentiometer,IC Socket,Relay,Connector.Our parts cover such applications as commercial,industrial, and automotives areas.

We are looking forward to setting up business relationship with you and hope to provide you with the best service and solution. Let us make a better world for our industry!



Contact us

Tel: +86-755-8981 8866 Fax: +86-755-8427 6832

Email & Skype: info@chipsmall.com Web: www.chipsmall.com

Address: A1208, Overseas Decoration Building, #122 Zhenhua RD., Futian, Shenzhen, China

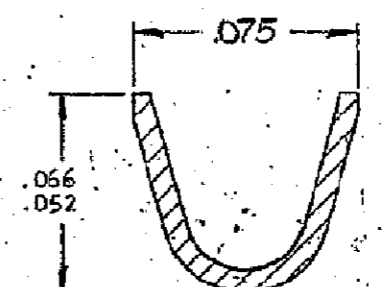
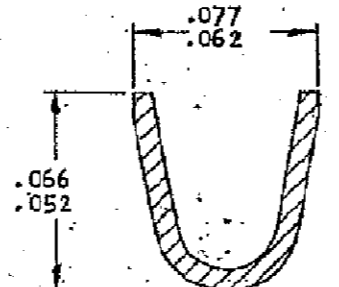
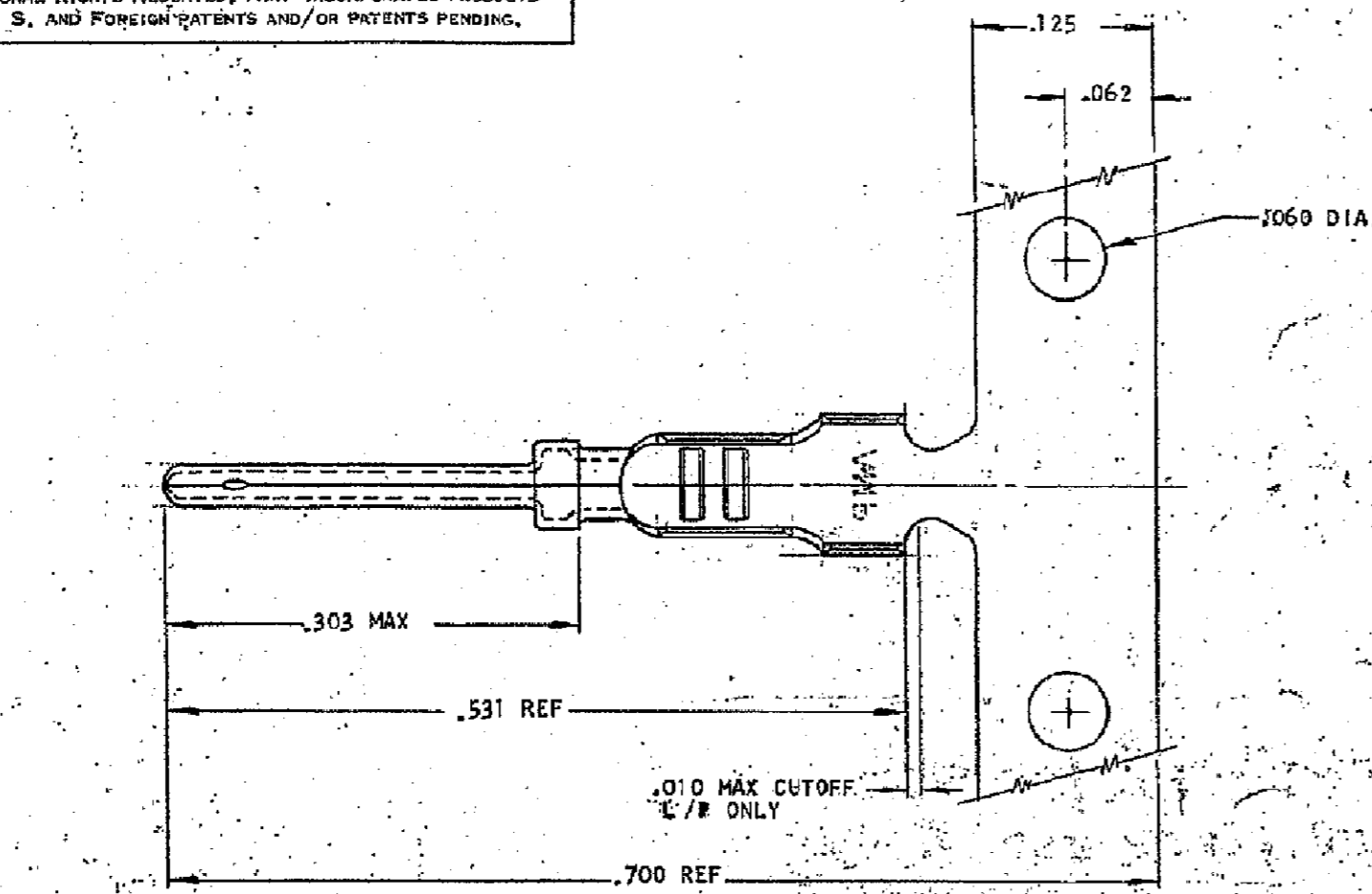


DRAWING MADE IN THIRD ANGLE PROJECTION

© COPYRIGHT 1973 BY AMP INCORPORATED, HARRISBURG, PA.
ALL INTERNATIONAL RIGHTS RESERVED. AMP INCORPORATED PRODUCTS
COVERED BY U. S. AND FOREIGN PATENTS AND/OR PATENTS PENDING.

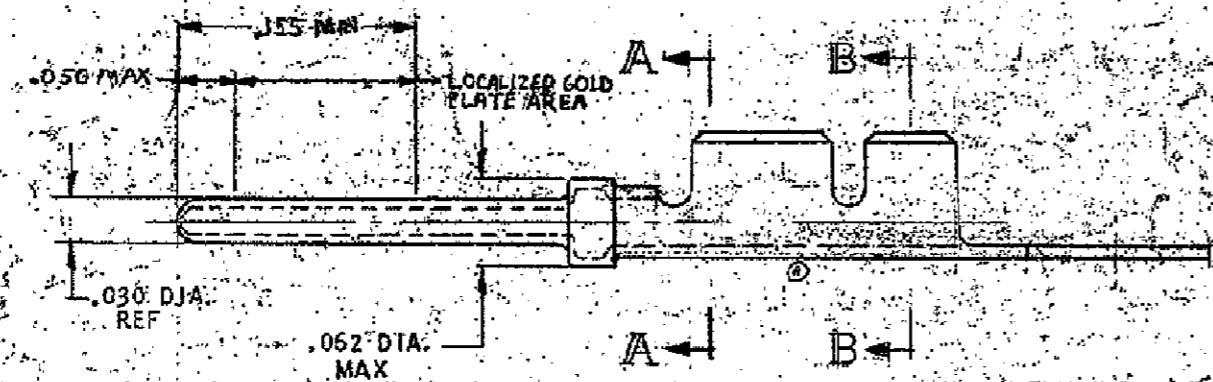
LOC DIST
GP 00

REVISIONS					
REV	ZONE	LTR	DESCRIPTION	DATE	APPROVED
R			REVISED PER EC 0JUE0-0002-01	17 JAN 82	JG



SECT. A-A

SECT. B-B



- ⚠ PLATED GOLD PER MIL-G-45204 OVER NICKEL PER QQ-N-290.
- ⚠ .00020 MIN GOLD (LOCALIZED GOLD PLATE AREA) GOLD FINISH ON REMAINDER ALL OVER .00050 MIN NICKEL.
- ⚠ 4 SUPERSEDED BY 3
- ⚠ 0 SUPERSEDED BY 9
- ⚠ 1-3 SUPERSEDED BY 1-2
- ⚠ OBSOLETE PART NUMBER

L/P PART NO.	REVERSE REELED PART NO.	FINISH	PART NO
66556-9	1-66556-2	GOLD OVER NICKEL	66556-1
66556-8	1-66556-1	GOLD OVER NICKEL	66556-2
		GOLD OVER NICKEL	66556-4

UNLESS OTHERWISE SPECIFIED DIMENSIONS ARE IN INCHES. TOLERANCES ON: DECIMALS ±.005 ANGLES ±.005	CONTRACT NO	AMP INCORPORATED Harrisburg, Pa.	
	DR: <i>W</i> 10/23/73	NAME: PIN CONTACT, SIZE 22-DF	
MATERIAL: BRASS PER MIL C-50	APPD: <i>D. B.</i> 11/2/73	SIZE CODE IDENT NO	DRAWING NO
FINISH: SEE CALLOUT	OTHER APPD	C 00779	66536
		SCALE	SHEET OF 1

AMP 1471-6 (7-73)

CUSTOMER DRAWING