



Chipsmall Limited consists of a professional team with an average of over 10 year of expertise in the distribution of electronic components. Based in Hongkong, we have already established firm and mutual-benefit business relationships with customers from,Europe,America and south Asia,supplying obsolete and hard-to-find components to meet their specific needs.

With the principle of “Quality Parts,Customers Priority,Honest Operation,and Considerate Service”,our business mainly focus on the distribution of electronic components. Line cards we deal with include Microchip,ALPS,ROHM,Xilinx,Pulse,ON,Everlight and Freescale. Main products comprise IC,Modules,Potentiometer,IC Socket,Relay,Connector.Our parts cover such applications as commercial,industrial, and automotives areas.

We are looking forward to setting up business relationship with you and hope to provide you with the best service and solution. Let us make a better world for our industry!



## Contact us

Tel: +86-755-8981 8866 Fax: +86-755-8427 6832

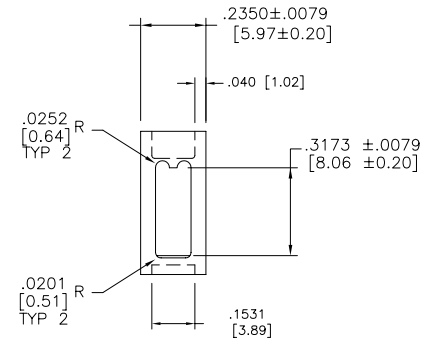
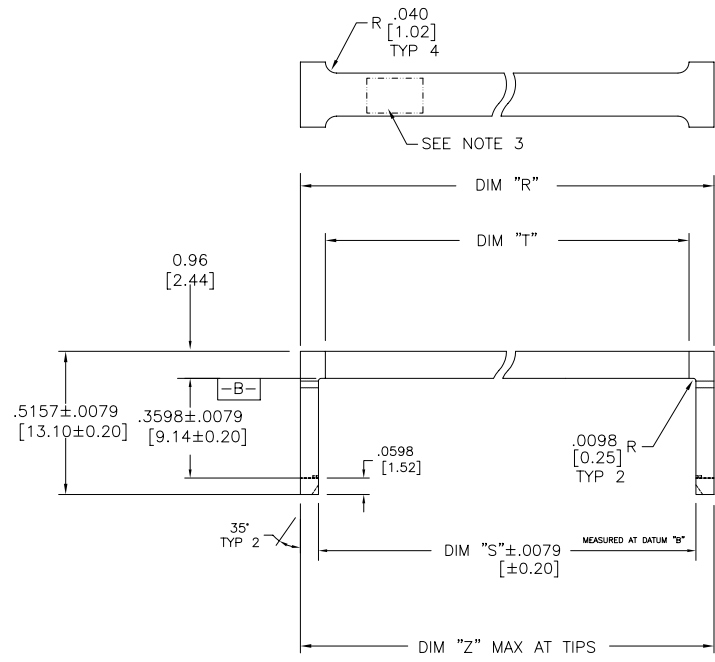
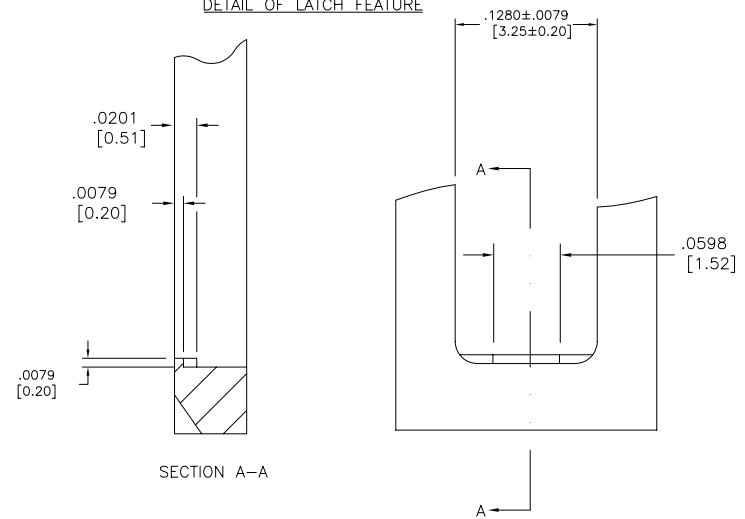
Email & Skype: info@chipsmall.com Web: www.chipsmall.com

Address: A1208, Overseas Decoration Building, #122 Zhenhua RD., Futian, Shenzhen, China



PRODUCT NUMBER NOTE 4	MATES WITH ASSY. SIZE	DIM "R"	DIM "S"	DIM "T"	DIM "Z" MAX
66563-001	2X20	2.18/55.37	2.06/52.32	2.01/51.05	2.18/55.52
66563-002	2X25	2.68/68.07	2.56/65.02	2.51/63.75	2.68/68.22
66563-003	2X5	0.68/17.27	0.56/14.22	0.51/12.95	0.68/17.42
66563-004	2X13	1.48/37.59	1.36/34.54	1.31/33.27	1.48/37.74
66563-005	2X17	1.88/47.75	1.76/44.70	1.71/43.43	1.88/47.90
66563-006	2X10	1.18/29.97	1.06/26.92	1.01/25.65	1.18/30.12
66563-007	2X7	0.88/22.35	0.76/19.30	0.71/18.03	0.88/22.50
66563-008	2X8	0.98/24.90	0.86/21.84	0.81/20.57	0.98/25.04
66563-009	2X30	3.18/80.77	3.06/77.72	3.01/76.45	3.18/80.92
66563-010	2X3	0.48/12.19	0.36/9.14	0.31/7.87	0.48/12.34
66563-011	2X4	0.58/14.73	0.46/11.68	0.41/10.41	0.58/14.88

DETAIL OF LATCH FEATURE



NOTES:

- UNREINFORCED THERMOPLASTIC POLYESTER FLAME-RETARDANT PER UL 94V-0, COLOR BLUE
- 0°/30° MAX DRAFT PERMITTED ON ALL SURFACES AS SHOWN.
- MOLDED COMPANY LOGO IN THIS AREA.
- ADD "LF" SUFFIX AT THE END OF PART NUMBER FOR LEAD FREE OPTION.
- THIS PRODUCT MEETS EUROPEAN UNION DIRECTIVES AND OTHER COUNTRY REGULATION AS DESCRIBED IN GS-22-008.
- THE PRODUCT IS NOT INTENDED TO BE EXPOSED TO A MANUFACTURING SOLDER PROCESS.

mat'l. code		surface ISO 1302 ✓		tolerance ISO 406 ISO 1101		projection INCH/MM		product family QUICKIE	
ltr	ecn no	dr	date	tolerances unless otherwise specified				title	
A	5003	WFO	4/01/83	angles	.XX±.01/.3		SPECIAL LOW PROFILE STRAIN-RELIEF		
B	M06-0475	MHT	12/05/06	linear	.XXX±.005/.13		scale 5:1		
				0°±2'	.XXXX±.0020/.051		dwg no sheet 1 of 1 size		
				dr	WFO	4/01/83	66563 A3		
				enr	WFO	4/01/83	type Product Customer Drawing		
				chr	WFO	4/01/83			
				appd	WFO	4/01/83			
sheet index	revision sheet	B	1						



Copyright FCI