



Chipsmall Limited consists of a professional team with an average of over 10 year of expertise in the distribution of electronic components. Based in Hongkong, we have already established firm and mutual-benefit business relationships with customers from,Europe,America and south Asia,supplying obsolete and hard-to-find components to meet their specific needs.

With the principle of “Quality Parts,Customers Priority,Honest Operation,and Considerate Service”,our business mainly focus on the distribution of electronic components. Line cards we deal with include Microchip,ALPS,ROHM,Xilinx,Pulse,ON,Everlight and Freescale. Main products comprise IC,Modules,Potentiometer,IC Socket,Relay,Connector.Our parts cover such applications as commercial,industrial, and automotives areas.

We are looking forward to setting up business relationship with you and hope to provide you with the best service and solution. Let us make a better world for our industry!



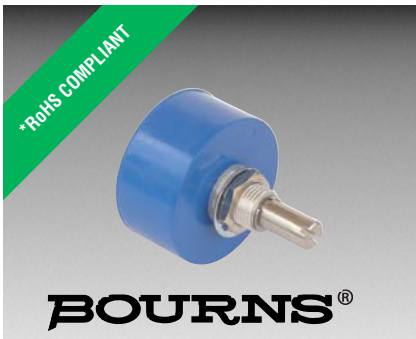
Contact us

Tel: +86-755-8981 8866 Fax: +86-755-8427 6832

Email & Skype: info@chipsmall.com Web: www.chipsmall.com

Address: A1208, Overseas Decoration Building, #122 Zhenhua RD., Futian, Shenzhen, China





Features

- Bushing mount
- Shaft supported by front sleeve bearing
- Non-standard features and specifications available

6657 - Precision Potentiometer

Electrical Characteristics¹

| | |
|---|-----------------------|
| Standard Resistance Range..... | 1 K to 100 K ohms |
| Total Resistance Tolerance..... | ±10 % |
| Independent Linearity..... | ±1 % |
| Effective Electrical Angle..... | 340° ±3° |
| End Voltage..... | 0.5 % maximum |
| Output Smoothness..... | 0.1 % |
| Dielectric Withstanding Voltage (MIL-STD-202, Method 301) | |
| Sea Level..... | 750 VAC minimum |
| Power Rating (Voltage Limited By Power Dissipation or 300 VAC, Whichever is Less) | |
| +70 °C..... | 1.5 watts |
| +125 °C..... | 0 watt |
| Insulation Resistance (500 VDC)..... | 1,000 megohms minimum |
| Resolution..... | Essentially infinite |

Environmental Characteristics¹

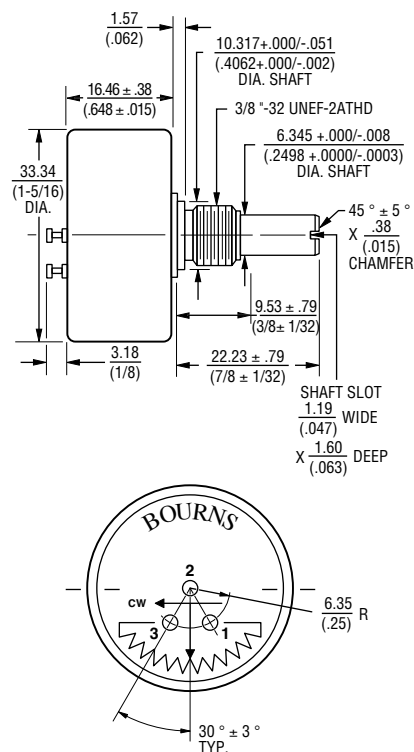
| | |
|---|------------------------------|
| Operating Temperature Range..... | -40 °C to +125 °C |
| Storage Temperature Range..... | -65 °C to +125 °C |
| Temperature Coefficient Over Storage Temperature Range..... | ±500 ppm/°C maximum |
| Vibration..... | 15 G |
| Wiper Bounce..... | 0.1 millisecond maximum |
| Total Resistance Shift..... | ±5 % maximum |
| Voltage Ratio Shift..... | ±0.5 % maximum |
| Shock..... | 50 G |
| Wiper Bounce..... | 0.1 millisecond maximum |
| Total Resistance Shift..... | ±5 % maximum |
| Voltage Ratio Shift..... | ±0.5 % maximum |
| Load Life..... | 1,000 hours, 1.5 watts |
| Total Resistance Shift..... | ±10 % maximum |
| Rotational Life (No Load)..... | 10,000,000 shaft revolutions |
| Total Resistance Shift..... | ±10 % maximum |
| Moisture Resistance (MIL-STD-202, Method 106) | |
| Total Resistance Shift..... | ±15 % maximum |
| IP Rating..... | IP 40 |

Mechanical Characteristics¹

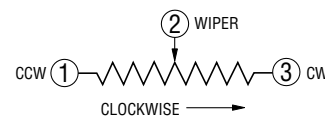
| | |
|--|--|
| Mechanical Angle..... | Continuous |
| Torque (Starting & Running)..... | 0.40 N-cm (0.5 oz.-in.) maximum |
| Mounting..... | 170-200 N-cm (15-18 lb.-in.) maximum |
| Shaft Runout..... | 0.025 mm (0.001 in.) T.I.R. |
| Shaft End Play..... | 0.13 mm (0.005 in.) T.I.R. |
| Shaft Radial Play..... | 0.13 mm (0.005 in.) T.I.R. |
| Backlash..... | 0.1 ° maximum |
| Weight..... | 32 gm |
| Terminals..... | Rear turret type |
| Soldering Condition | |
| Manual Soldering..... | 96.5Sn/3.0Ag/0.5Cu solid wire or no-clean rosin cored wire 370 °C (700 °F) max. for 3 seconds |
| Wave Soldering..... | 96.5Sn/3.0Ag/0.5Cu solder with no-clean flux 260 °C (500 °F) max. for 5 seconds |
| Wash processes..... | Not recommended |
| Marking..... | Manufacturer's name and part number, resistance value and tolerance, linearity tolerance, wiring diagram, and date code. |
| Ganging (Multiple Section Potentiometers)..... | 1 cup maximum |
| Hardware..... | One lockwasher (H-37-2) and one mounting nut (H-38-2) is shipped with each potentiometer. |

¹At room ambient: +25 °C nominal and 50 % relative humidity nominal, except as noted.

Product Dimensions



TOLERANCES: EXCEPT WHERE NOTED
 DECIMALS: .XX ± .51 (0.02), .XXX ± .13 (0.005)
 FRACTIONS: ±1/64
 DIMENSIONS: MM (IN.)



Recommended Part Numbers

| Part Number* | Resistance (Ω) |
|--------------------|----------------|
| 6657S-1-102 | 1,000 |
| 6657S-1-202 | 2,000 |
| 6657S-1-502 | 5,000 |
| 6657S-1-103 | 10,000 |

BOLDFACE LISTINGS ARE IN STOCK AND READILY AVAILABLE THROUGH DISTRIBUTION.

FOR OTHER OPTIONS CONSULT FACTORY.

*RoHS Directive 2002/95/EC Jan. 27, 2003 including annex and RoHS Recast 2011/65/EU June 8, 2011.

Specifications are subject to change without notice.

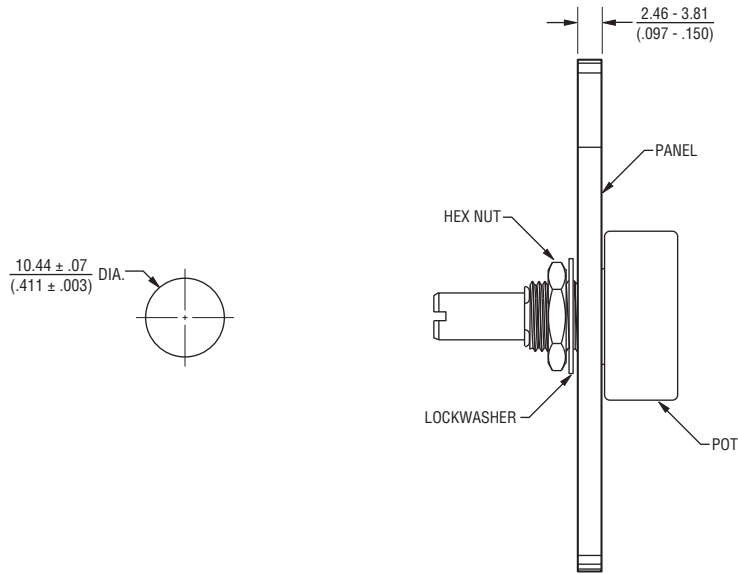
The device characteristics and parameters in this data sheet can and do vary in different applications and actual device performance may vary over time.

Users should verify actual device performance in their specific applications.

6657 - Precision Potentiometer

BOURNS®

Panel Thickness Dimensions



Panel thickness and hole diameters are recommended for best fit. However, customers may adjust the dimensions to suit their specific application.

DIMENSIONS: $\frac{\text{MM}}{\text{(INCHES)}}$ TOLERANCES: $\pm \frac{0.127}{(.005)}$

REV. 07/15

Specifications are subject to change without notice.

The device characteristics and parameters in this data sheet can and do vary in different applications and actual device performance may vary over time. Users should verify actual device performance in their specific applications.