



Chipsmall Limited consists of a professional team with an average of over 10 year of expertise in the distribution of electronic components. Based in Hongkong, we have already established firm and mutual-benefit business relationships with customers from,Europe,America and south Asia,supplying obsolete and hard-to-find components to meet their specific needs.

With the principle of “Quality Parts,Customers Priority,Honest Operation,and Considerate Service”,our business mainly focus on the distribution of electronic components. Line cards we deal with include Microchip,ALPS,ROHM,Xilinx,Pulse,ON,Everlight and Freescale. Main products comprise IC,Modules,Potentiometer,IC Socket,Relay,Connector.Our parts cover such applications as commercial,industrial, and automotives areas.

We are looking forward to setting up business relationship with you and hope to provide you with the best service and solution. Let us make a better world for our industry!



Contact us

Tel: +86-755-8981 8866 Fax: +86-755-8427 6832

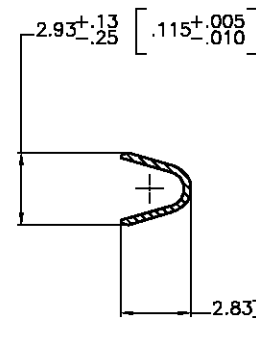
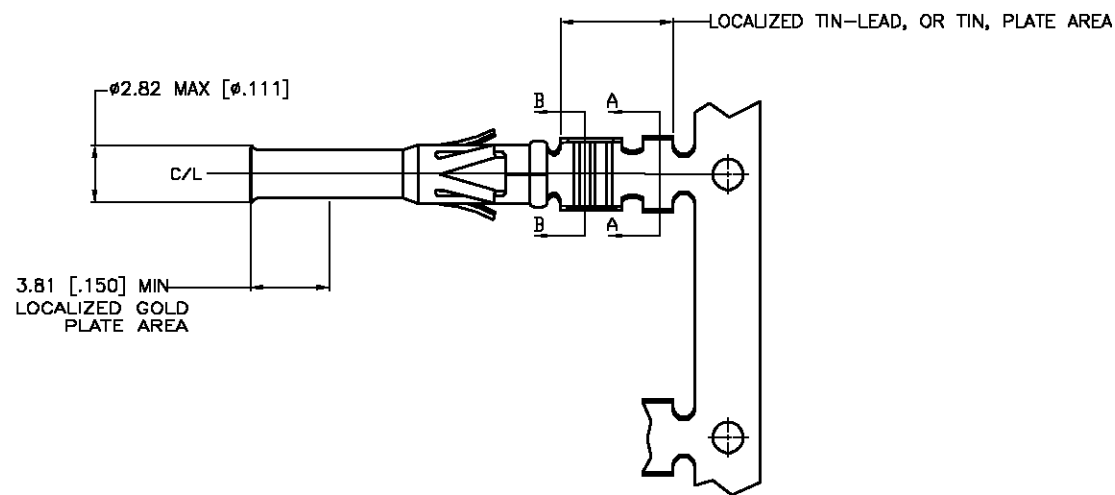
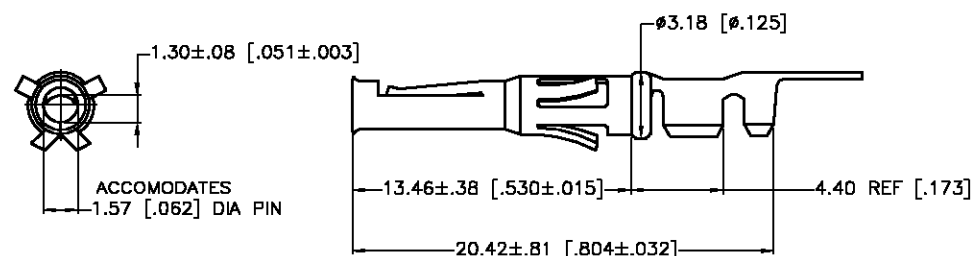
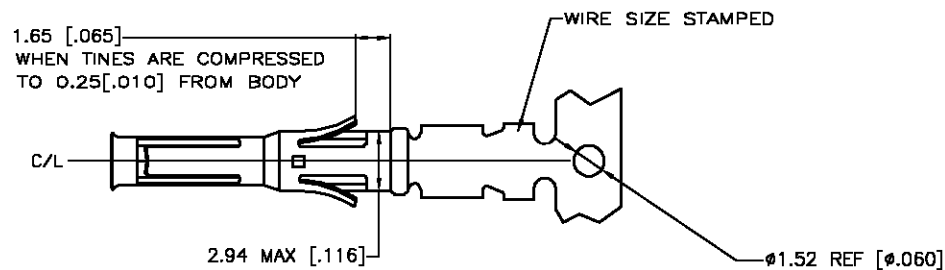
Email & Skype: info@chipsmall.com Web: www.chipsmall.com

Address: A1208, Overseas Decoration Building, #122 Zhenhua RD., Futian, Shenzhen, China

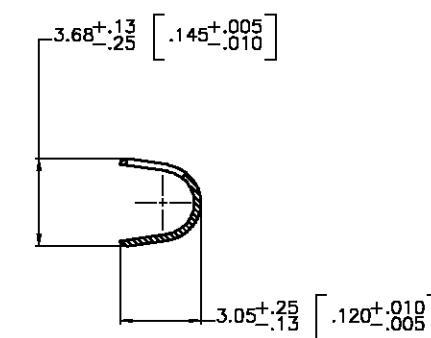


THIS DRAWING IS UNPUBLISHED. RELEASED FOR PUBLICATION
 © COPYRIGHT BY TYCO ELECTRONICS CORPORATION. ALL RIGHTS RESERVED.

LOC	DIST	REVISIONS			
P	LTR	DESCRIPTION	DATE	DWN	APVD
FT	10	B	REV PER EC 0G3B-0317-03	24APR03	VF GS



SECTION B-B



SECTION A-A

1. WIRE RANGE 18-16 AWG.
 2. INSULATION RANGE 2.54-2.03[100-.080] DIA.
 3. FOR LOOSE PIECE PART SEE DWG 66590.
- △ 0.76µm [.000030] MIN GOLD IN LOCALIZED GOLD PLATE AREA, 1.27µm [.000050] MIN TIN-LEAD IN LOCALIZED TIN-LEAD PLATE AREA, BOTH OVER 1.27µm [.000050] MIN NICKEL.
 - △ TIN PLATED.
 - △ GOLD PLATING PER MIL-G-45204, TIN PER MIL-T-10727 AND NICKEL PER QQ-N-290.
 - △ 0.76µm [.000030] MIN GOLD IN LOCALIZED GOLD PLATE AREA, 1.27µm [.000050] MIN TIN IN LOCALIZED TIN PLATE AREA, BOTH OVER 1.27µm [.000050] MIN NICKEL.

REVERSE REELED FOR MINI-APPLICATOR	△	66580-7
REVERSE REELED FOR MINI-APPLICATOR	△	66580-4
REVERSE REELED FOR MINI-APPLICATOR	△	66580-3
REVERSE REELED FOR MINI-APPLICATOR	△	66580-2
REVERSE REELED FOR MINI-APPLICATOR	△	66580-1
DESCRIPTION	FINISH	

OBSOLETE

DIMENSIONS: MM [INCHES]		TOLERANCES UNLESS OTHERWISE SPECIFIED:		DWN V. FURLER 14MAY2003		Tyco Electronics Corporation Harrisburg, PA 17105	
		0 PLC	± -	CHK G. STEINHAUER 16MAY03		NAME	
		1 PLC	± -	APVD G. STEINHAUER 16MAY03		CONTACT, SOCKET, STRIP, TYPE VI, MULTIMATE	
		2 PLC	± 0.13 [.005]	PRODUCT SPEC		SIZE	
		3 PLC	± -	APPLICATION SPEC		CAGE CODE	
		4 PLC	± -	WEIGHT		DRAWING NO	
		ANGLES	± -	CUSTOMER DRAWING		RESTRICTED TO	
MATERIAL BRASS MIL-C-50		FINISH SEE TABLE △		A3 00779		SCALE 8:5	
				G-66580		SHEET 1 OF 1	
						REV B	