



Chipsmall Limited consists of a professional team with an average of over 10 year of expertise in the distribution of electronic components. Based in Hongkong, we have already established firm and mutual-benefit business relationships with customers from,Europe,America and south Asia,supplying obsolete and hard-to-find components to meet their specific needs.

With the principle of "Quality Parts,Customers Priority,Honest Operation,and Considerate Service",our business mainly focus on the distribution of electronic components. Line cards we deal with include Microchip,ALPS,ROHM,Xilinx,Pulse,ON,Everlight and Freescale. Main products comprise IC,Modules,Potentiometer,IC Socket,Relay,Connector.Our parts cover such applications as commercial,industrial, and automotives areas.

We are looking forward to setting up business relationship with you and hope to provide you with the best service and solution. Let us make a better world for our industry!



Contact us

Tel: +86-755-8981 8866 Fax: +86-755-8427 6832

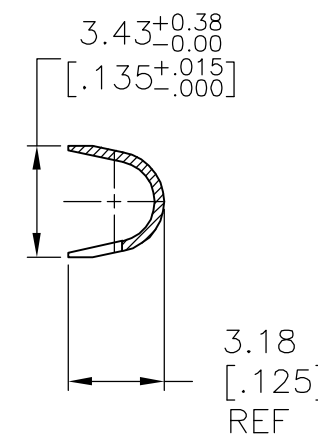
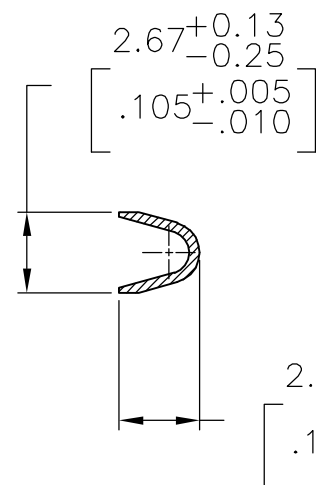
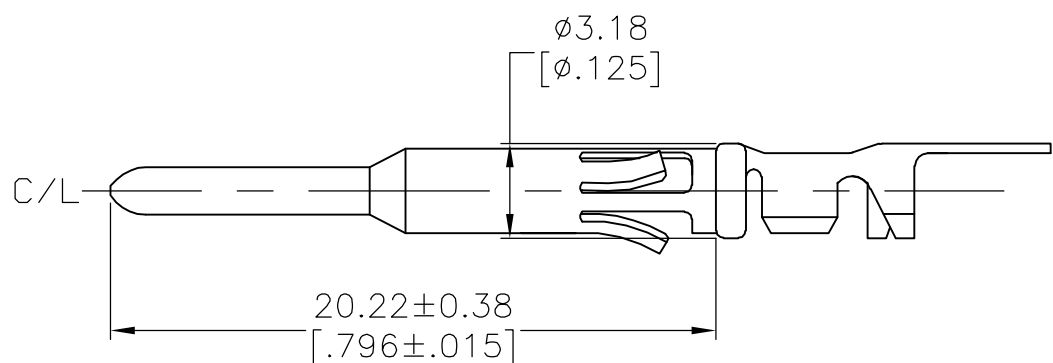
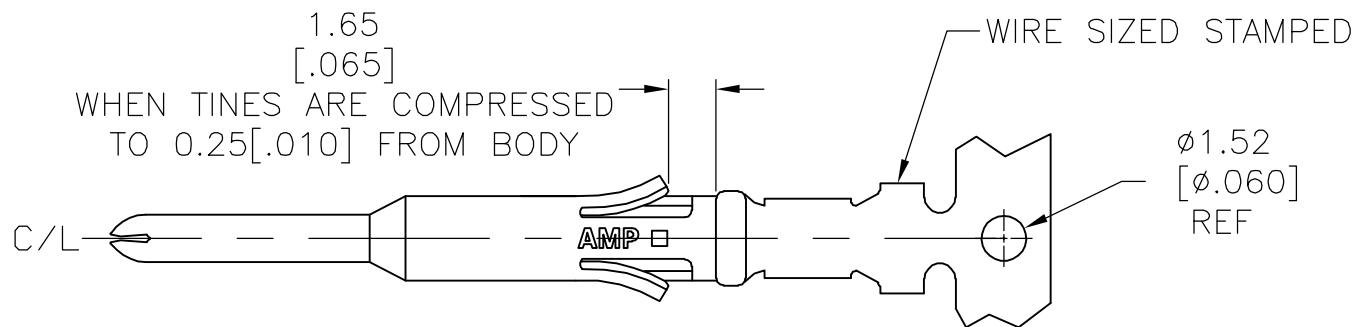
Email & Skype: info@chipsmall.com Web: www.chipsmall.com

Address: A1208, Overseas Decoration Building, #122 Zhenhua RD., Futian, Shenzhen, China



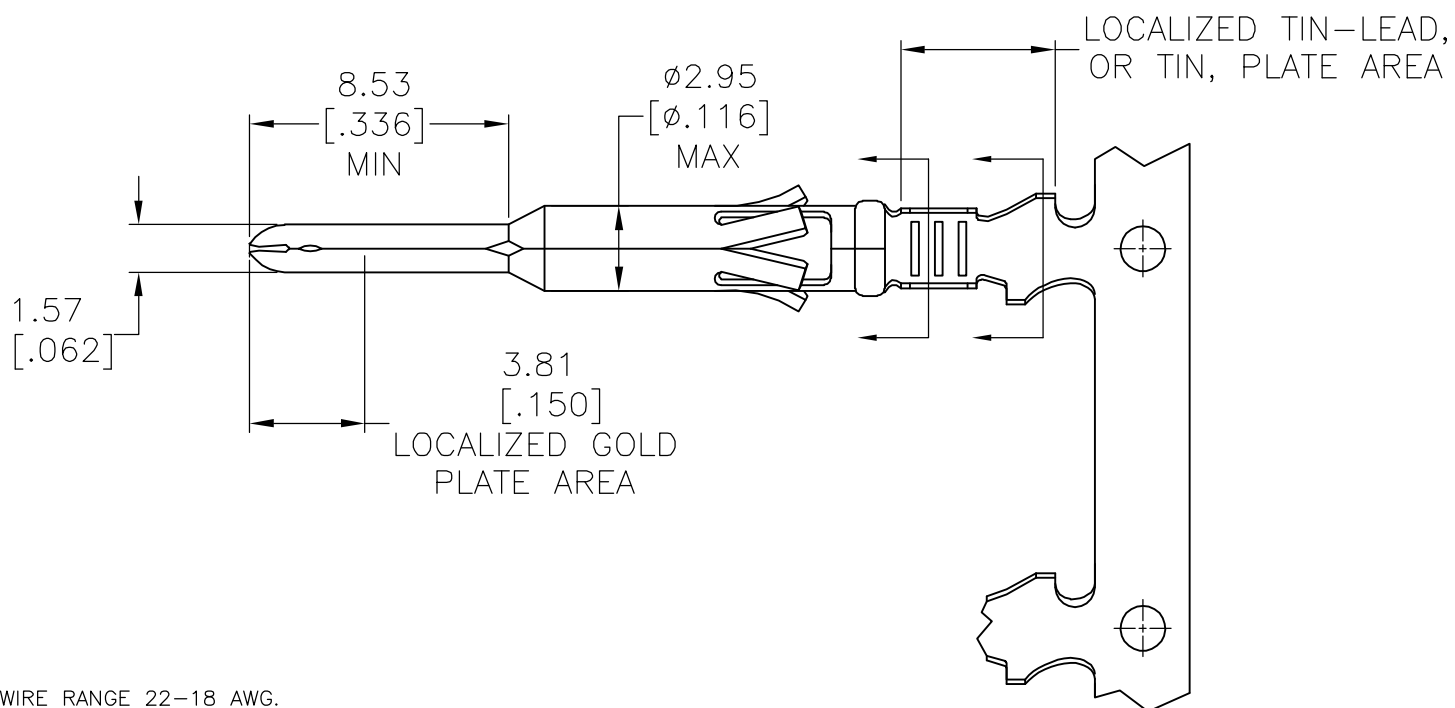
THIS DRAWING IS UNPUBLISHED. RELEASED FOR PUBLICATION
 © COPYRIGHT BY TYCO ELECTRONICS CORPORATION. ALL RIGHTS RESERVED.

LOC	DIST	REVISIONS			
P	LTR	DESCRIPTION	DATE	DWN	APVD
FT	0	F1	REV PER ECO-05-13552	11/16/05	SS GS



SECTION B-B

SECTION A-A



- WIRE RANGE 22-18 AWG.
- INSULATION RANGE 1.27-2.79 [.050-.110] DIA.
- FOR LOOSE PIECE PART SEE DWG 66591.
- 0.76 μm [.000030] MIN GOLD IN LOCALIZED GOLD PLATE AREA, 1.27 μm [.000050] MIN TIN-LEAD IN LOCALIZED TIN-LEAD PLATE AREA, BOTH OVER 1.27 μm [.000050] MIN NICKEL.
- TIN PLATED.
- GOLD PLATING PER MIL-G-45204, TIN PER MIL-T-10727 AND NICKEL PER QQ-N-290.
- 0.76 μm [.000030] MIN GOLD IN LOCALIZED GOLD PLATE AREA, 1.27 μm [.000050] MIN TIN IN LOCALIZED TIN PLATE AREA, BOTH OVER 1.27 μm [.000050] MIN NICKEL.

DESCRIPTION	FINISH	PART NUMBER
REVERSE REELED FOR MINI-APPLICATOR	4	66581-7
REVERSE REELED FOR MINI-APPLICATOR	4	66581-4
-	4	66581-3
REVERSE REELED FOR MINI-APPLICATOR	5	66581-2
-	5	66581-1

OBSOLETE

THIS DRAWING IS A CONTROLLED DOCUMENT.		DWN V. FURLER 15MAY2003	Tyco Electronics Corporation Harrisburg, PA 17105-3608	
DIMENSIONS: mm [INCHES]	TOLERANCES UNLESS OTHERWISE SPECIFIED:	CHK G. STEINHAUER 16MAY03	NAME	
	0 PLC ± -	APVD G. STEINHAUER 16MAY03	CONTACT, PIN, STRIP, TYPE VI, MULTIMATE	
	1 PLC ± -	PRODUCT SPEC	-	
	2 PLC ± 0.13 [.005]	APPLICATION SPEC	SIZE	CAGE CODE
	3 PLC ± -	WEIGHT	A3	00779
	4 PLC ± -	CUSTOMER DRAWING	DRAWING NO	RESTRICTED TO
	ANGLES ± -	SCALE	C-66581	-
MATERIAL BRASS MIL-C-50	FINISH SEE TABLE	DRAWING NO A3 00779 C-66581		SHEET 1 OF 1
		CUSTOMER DRAWING		REV F1