



Chipsmall Limited consists of a professional team with an average of over 10 year of expertise in the distribution of electronic components. Based in Hongkong, we have already established firm and mutual-benefit business relationships with customers from,Europe,America and south Asia,supplying obsolete and hard-to-find components to meet their specific needs.

With the principle of "Quality Parts,Customers Priority,Honest Operation,and Considerate Service",our business mainly focus on the distribution of electronic components. Line cards we deal with include Microchip,ALPS,ROHM,Xilinx,Pulse,ON,Everlight and Freescale. Main products comprise IC,Modules,Potentiometer,IC Socket,Relay,Connector.Our parts cover such applications as commercial,industrial, and automotives areas.

We are looking forward to setting up business relationship with you and hope to provide you with the best service and solution. Let us make a better world for our industry!



## Contact us

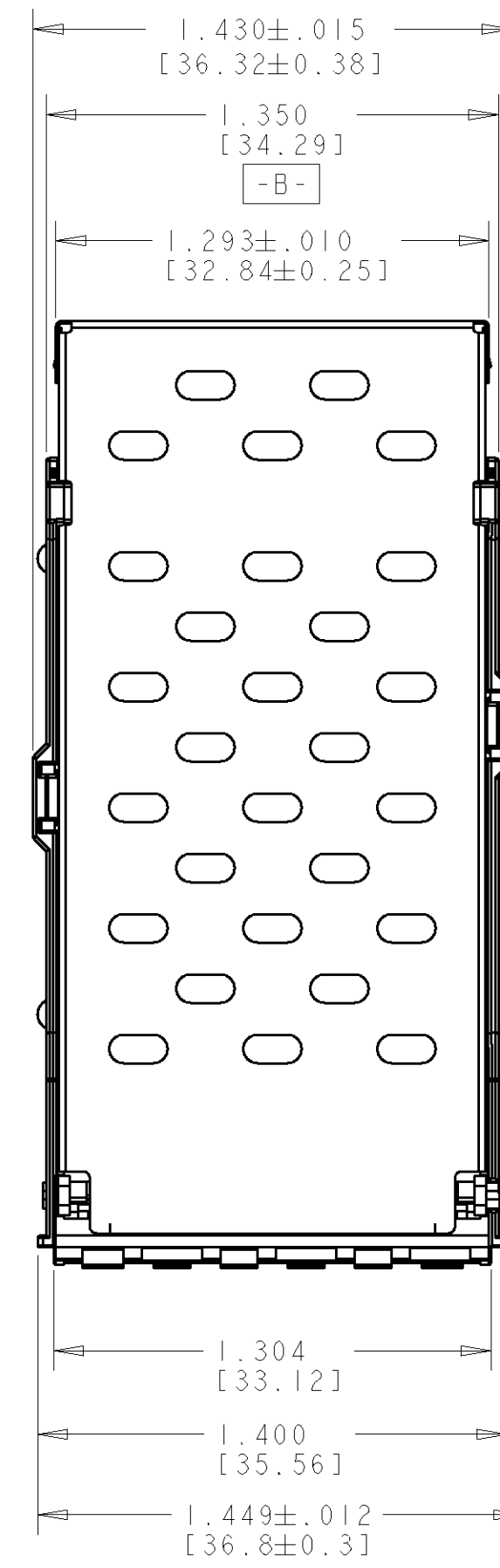
Tel: +86-755-8981 8866 Fax: +86-755-8427 6832

Email & Skype: info@chipsmall.com Web: www.chipsmall.com

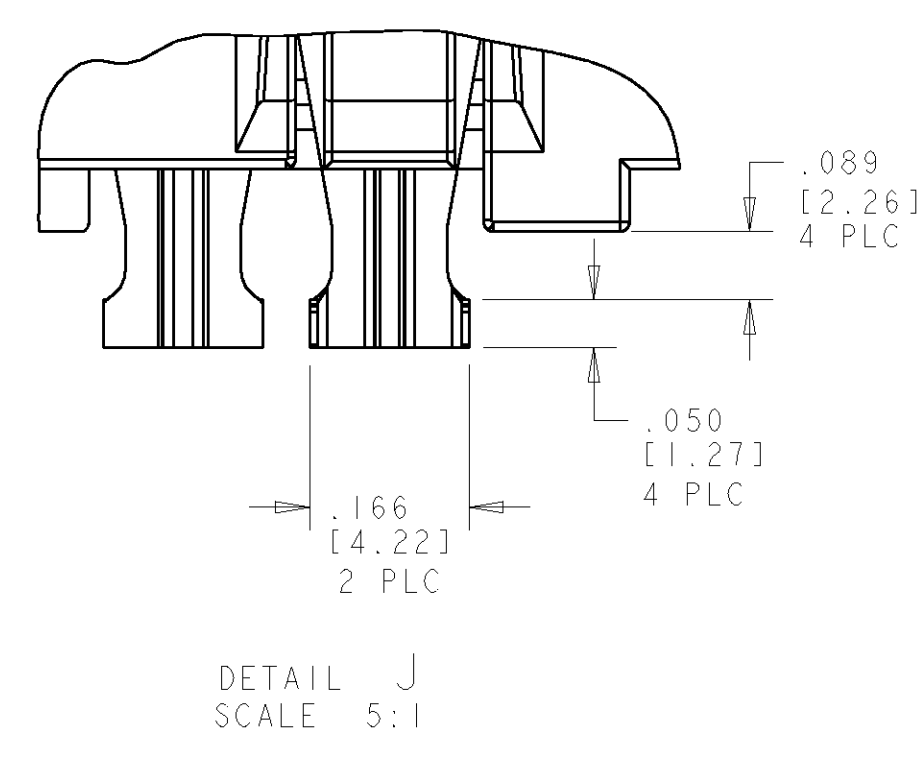
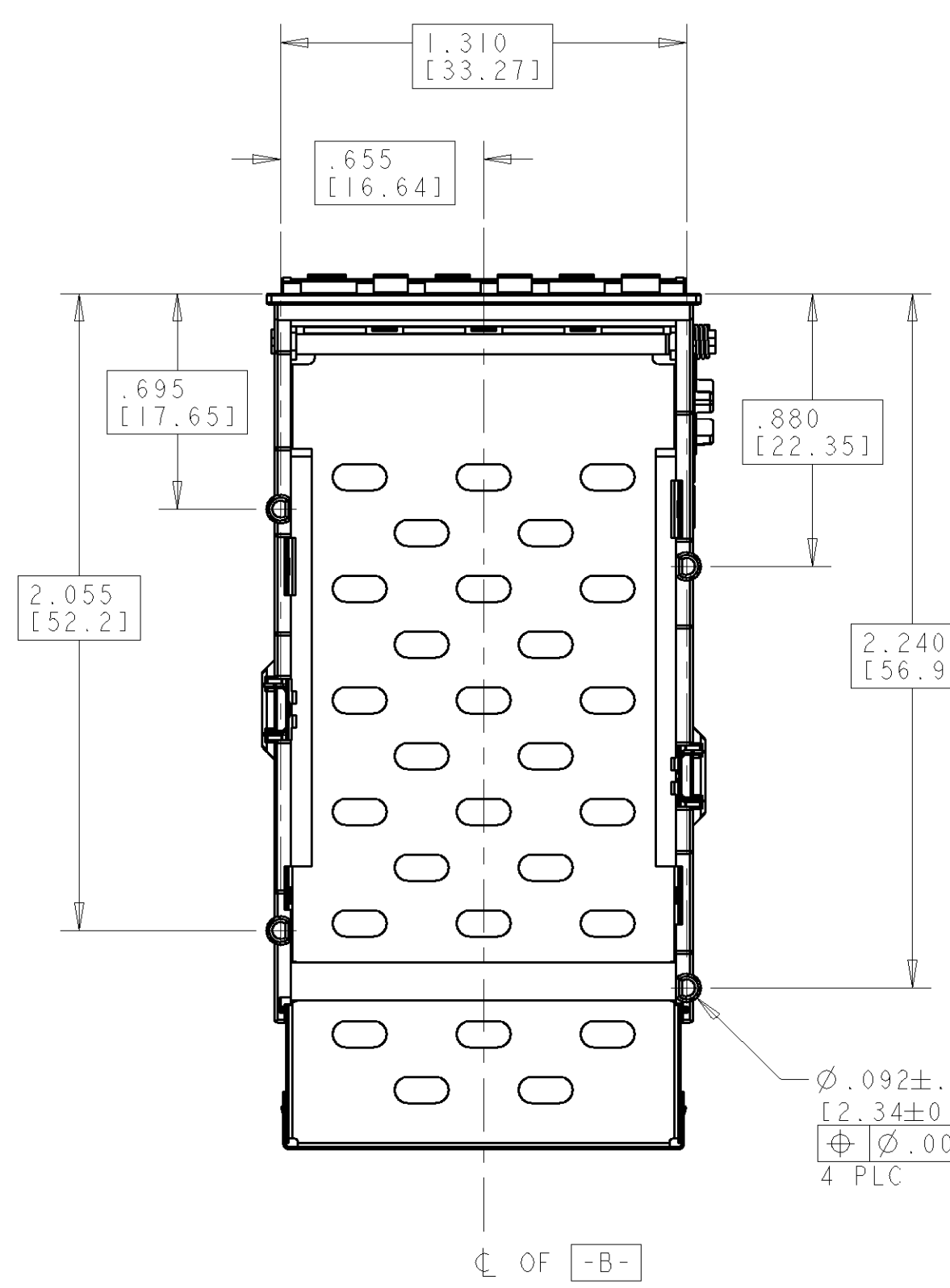
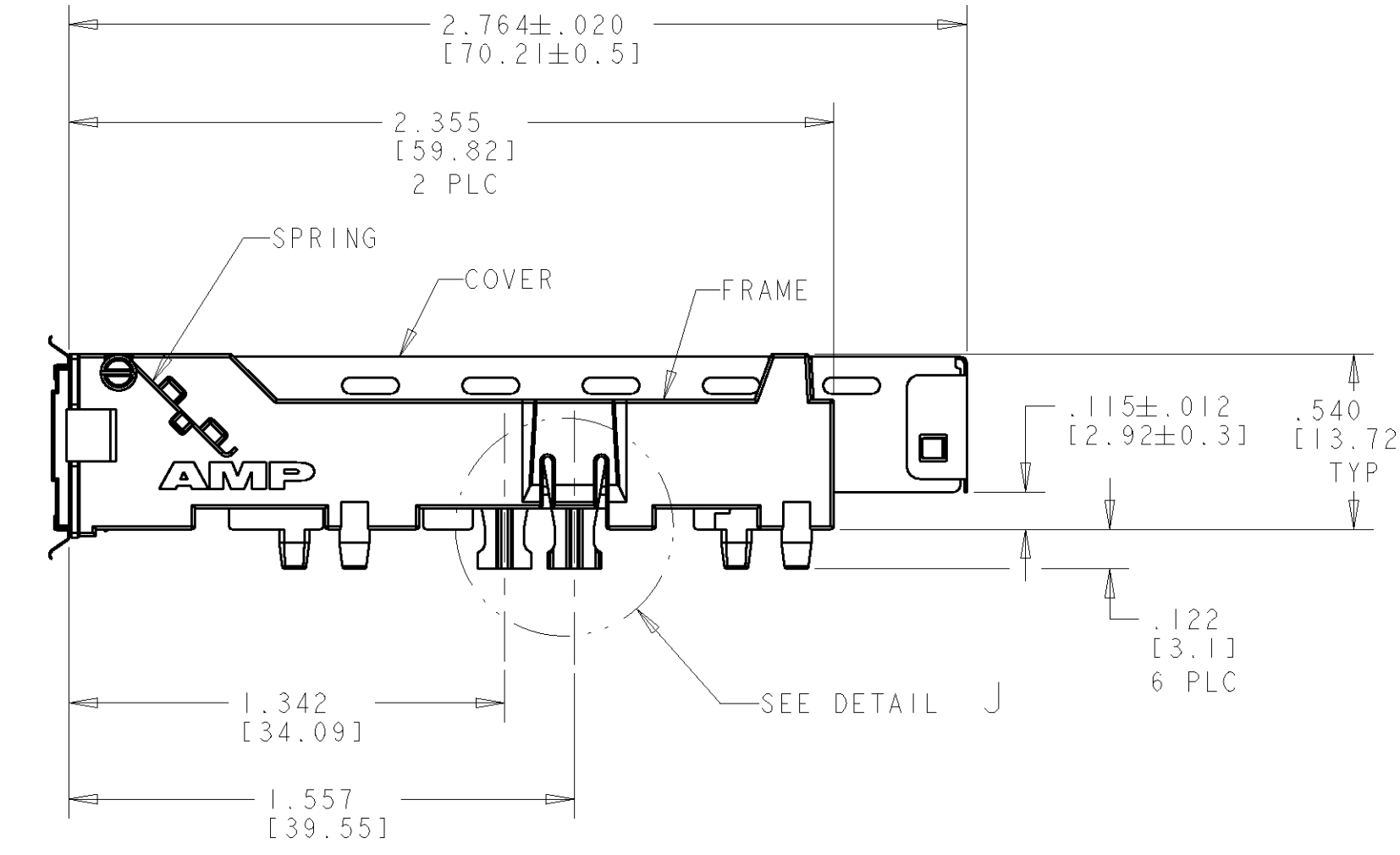
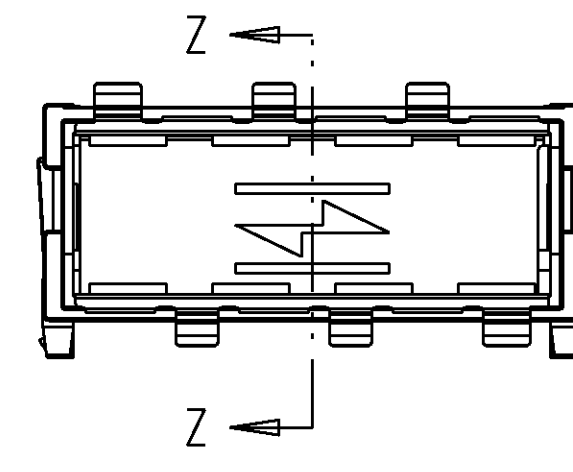
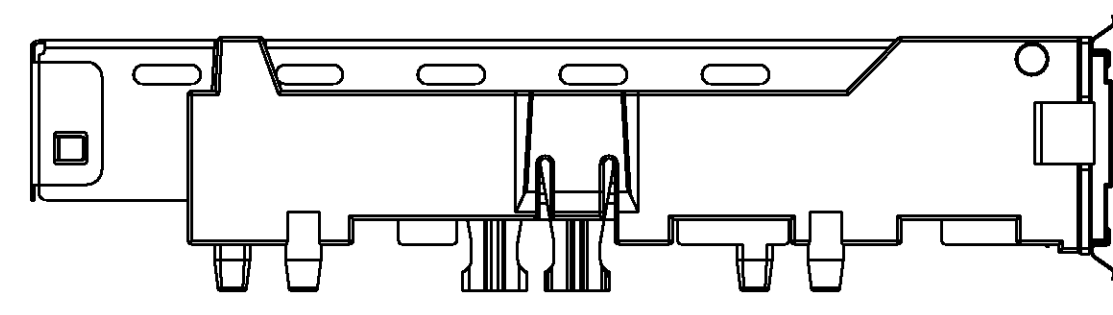
Address: A1208, Overseas Decoration Building, #122 Zhenhua RD., Futian, Shenzhen, China



LOC	DIST	REVISIONS			
P	LTR	DESCRIPTION	DATE	DWN	APVD
GP	00	A	RELEASED	11JULY05	BM SS



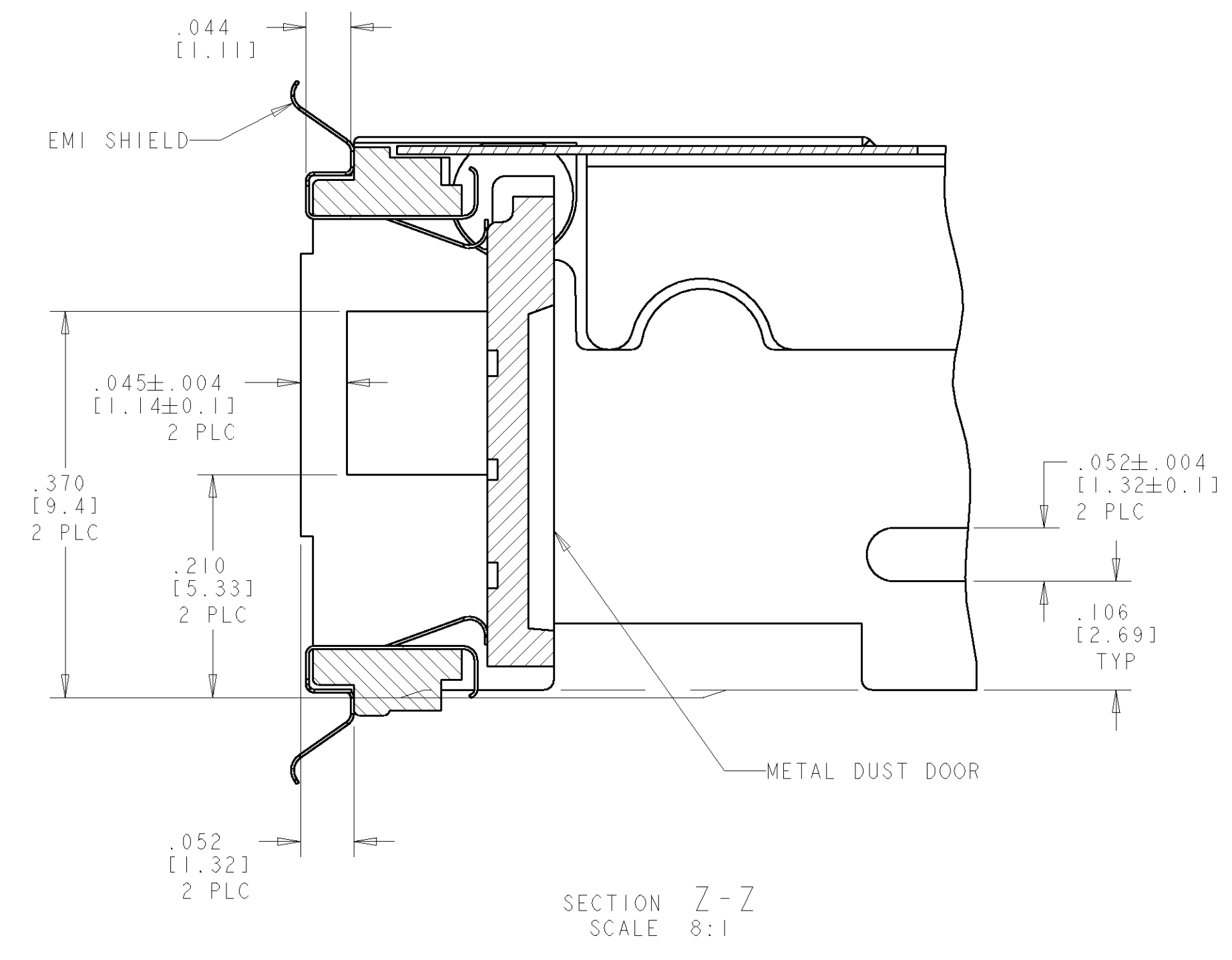
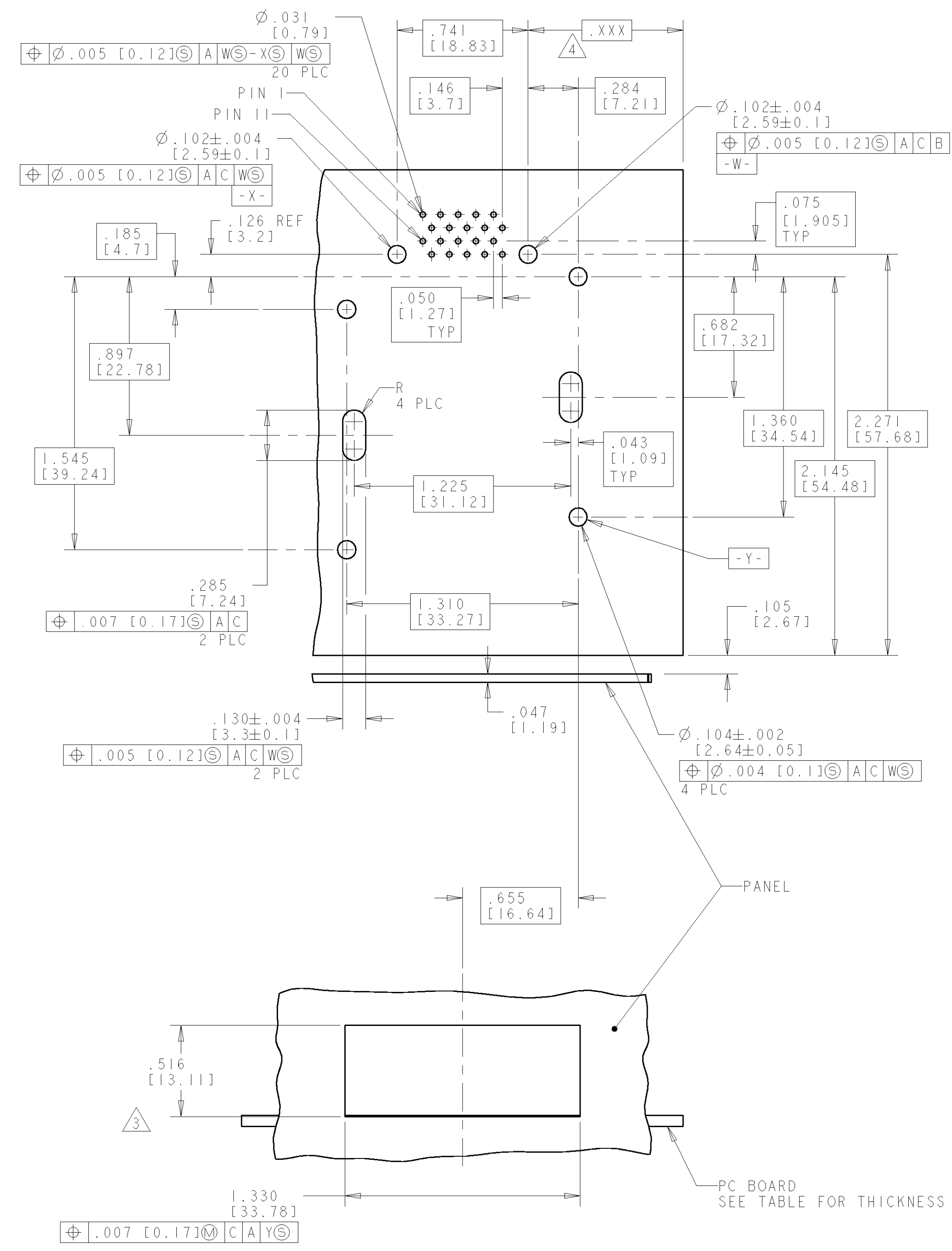
- 1 DUST DOOR: ZINC ALLOY.  
 FRAME: ZINC ALLOY.  
 EMI SHIELD: PHOSPHOR BRONZE.  
 COVER: PHOSPHOR BRONZE.  
 SPRING: STAINLESS STEEL.
- 2 DUST DOOR: .00010[0.00254] MIN NICKEL OVER .000200[0.00508] MIN COPPER.  
 EMI SHIELDS: .000050[0.00127] MIN NICKEL.  
 FRAME: .000150[0.00381] MIN TIN OVER .000100[0.00254] MIN NICKEL  
 OVER .000200[0.00508] MIN COPPER.  
 COVER: .000016[0.00040] MIN PRE-PLATED TIN.
- 3 LOWER EDGE OF PANEL OPENING IS .006±.003[0.15±0.08] BELOW TOP OF PCB.
- 4 THIS DIMENSION ESTABLISHED BY CUSTOMER.



.080±.006[2.03±0.15]	6658106-2
CUSTOMER PCB THICKNESS	PART NUMBER
AMP Incorporated Harrisburg, PA 17105-3608	
NAME: GUIDE ASSEMBLY, DIE-CAST, LONG COVER, MEDIA CONVERTER MODULE, CHAMP BLINDMATE	
SIZE: A	RESTRICTED TO: A
CAGE CODE: 00779	DRAWING NO: C-6658106
WEIGHT: -	SCALE: 2:1
CUSTOMER DRAWING	SHEET 1 OF 2

DIMENSIONS: INCHES[mm]	TOLERANCES UNLESS OTHERWISE SPECIFIED:
0 PLC ±	1 PLC ±
2 PLC ±	3 PLC ±
4 PLC ±	ANGLES ±
MATERIAL	FINISH

LOC		DIST		REVISIONS			
P	LTR	DESCRIPTION	DATE	BY	APPD		
A		SEE SHEET 1	-	-	-		



RECOMMENDED FOOTPRINT AND PANEL CUTOUT

<small>THIS DRAWING IS UNPUBLISHED. RELEASED FOR PUBLICATION BY TICO ELECTRONICS CORPORATION. ALL RIGHTS RESERVED.</small>		DWN B MCMASTER 11 JULY 05 ENR S SHUEY 11 JULY 05 APPD S SHUEY 11 JULY 05	<b>tyco</b> Electronics AMP Incorporated Harrisburg, PA 17105-3608
DIMENSIONS: INCHES (mm)	TOLERANCES UNLESS OTHERWISE SPECIFIED: 0 PLC ± 1 PLC ± 2 PLC ± 3 PLC ±.005 (0.13) 4 PLC ± ANGLES ±	NAME PRODUCT SPEC APPLICATION SPEC	SIZE CAGE CODE DRAWING NO RESTRICTED TO
MATERIAL	FINISH	WEIGHT	SCALE 2:1 SHEET 2 OF 2 REV A
CUSTOMER DRAWING		A100779C=6658106	