



Chipsmall Limited consists of a professional team with an average of over 10 year of expertise in the distribution of electronic components. Based in Hongkong, we have already established firm and mutual-benefit business relationships with customers from,Europe,America and south Asia,supplying obsolete and hard-to-find components to meet their specific needs.

With the principle of “Quality Parts,Customers Priority,Honest Operation,and Considerate Service”,our business mainly focus on the distribution of electronic components. Line cards we deal with include Microchip,ALPS,ROHM,Xilinx,Pulse,ON,Everlight and Freescale. Main products comprise IC,Modules,Potentiometer,IC Socket,Relay,Connector.Our parts cover such applications as commercial,industrial, and automotives areas.

We are looking forward to setting up business relationship with you and hope to provide you with the best service and solution. Let us make a better world for our industry!



Contact us

Tel: +86-755-8981 8866 Fax: +86-755-8427 6832

Email & Skype: info@chipsmall.com Web: www.chipsmall.com

Address: A1208, Overseas Decoration Building, #122 Zhenhua RD., Futian, Shenzhen, China



THIS DRAWING IS UNPUBLISHED.

RELEASED FOR PUBLICATION

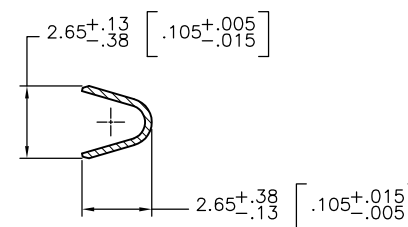
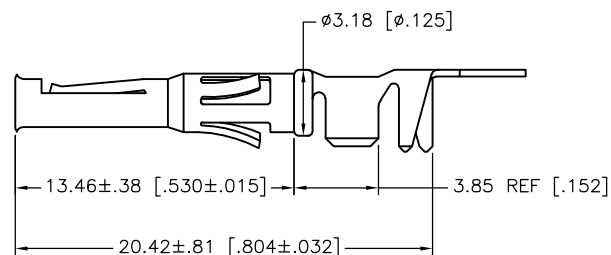
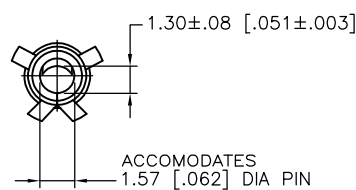
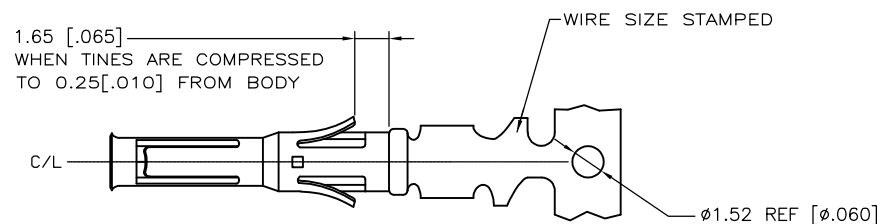
ALL RIGHTS RESERVED.

© COPYRIGHT - By -

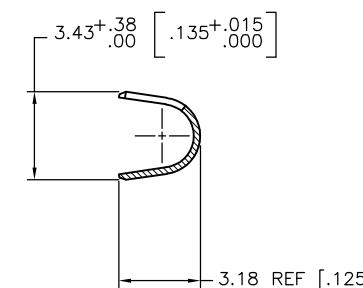
LOC FT DIST 0

REVISIONS

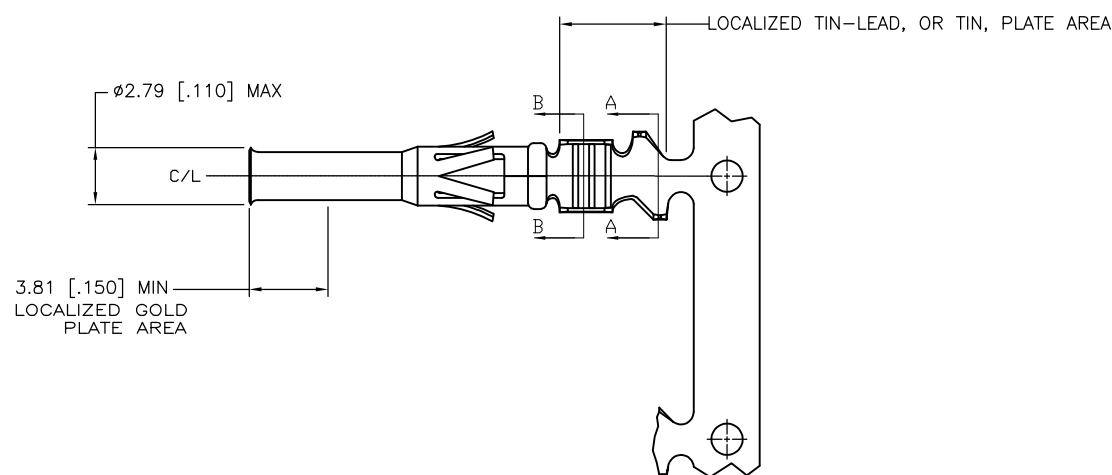
P	LTR	DESCRIPTION	DATE	DWN	APVD
	D1	REVISED PER ECO-11-004917	11MAR11	RK	HMR



SECTION B-B



SECTION A-A



1. WIRE RANGE 22-18 AWG.
 2. INSULATION RANGE 2.79-1.27 [.110-050] DIA.
 3. FOR LOOSE PIECE PART SEE DWG 66592.
- ⚠ 0.76µm [.000030] MIN GOLD IN LOCALIZED GOLD PLATE AREA, 1.27µm [.000050] MIN TIN-LEAD IN LOCALIZED TIN-LEAD PLATE AREA, BOTH OVER 1.27µm [.000050] MIN NICKEL.
 - ⚠ TIN PLATED.
 - ⚠ GOLD PLATING PER MIL-G-45204, TIN PER MIL-T-10727 AND NICKEL PER QQ-N-290.
 - ⚠ 0.76µm [.000030] MIN GOLD IN LOCALIZED GOLD PLATE AREA, 1.27µm [.000050] MIN TIN IN LOCALIZED TIN PLATE AREA, BOTH OVER 1.27µm [.000050] MIN NICKEL.

OBSOLETE	REVERSE REELED FOR MINI-APPLICATOR	⚠	66582-7
	REVERSE REELED FOR MINI-APPLICATOR	⚠	66582-4
	-	⚠	66582-3
	REVERSE REELED FOR MINI-APPLICATOR	⚠	66582-2
	-	⚠	66582-1
	DESCRIPTION	FINISH	

THIS DRAWING IS A CONTROLLED DOCUMENT.		DWN V. FURLER 15MAY2003	STE TE Connectivity											
DIMENSIONS: mm [INCHES]		CHK G. STEINHAUER 16MAY03												
TOLERANCES UNLESS OTHERWISE SPECIFIED:		APVD G. STEINHAUER 16MAY03	CONTACT, SOCKET, STRIP, TYPE VI, MULTIMATE											
<table border="0"> <tr><td>0 PLC</td><td>± -</td></tr> <tr><td>1 PLC</td><td>± -</td></tr> <tr><td>2 PLC</td><td>± 0.13 [.005]</td></tr> <tr><td>3 PLC</td><td>± -</td></tr> <tr><td>4 PLC</td><td>± -</td></tr> <tr><td>ANGLES</td><td>± -</td></tr> </table>		0 PLC			± -	1 PLC	± -	2 PLC	± 0.13 [.005]	3 PLC	± -	4 PLC	± -	ANGLES
0 PLC	± -													
1 PLC	± -													
2 PLC	± 0.13 [.005]													
3 PLC	± -													
4 PLC	± -													
ANGLES	± -													
MATERIAL BRASS MIL-C-50		FINISH SEE TABLE ⚠	SCALE 8.5:1 SHEET 1 OF 1 REV D1											
		PRODUCT SPEC -												
CUSTOMER DRAWING		APPLICATION SPEC -	SIZE A3	CAGE CODE 00779	DRAWING NO C-66582	RESTRICTED TO -								