



Chipsmall Limited consists of a professional team with an average of over 10 year of expertise in the distribution of electronic components. Based in Hongkong, we have already established firm and mutual-benefit business relationships with customers from,Europe,America and south Asia,supplying obsolete and hard-to-find components to meet their specific needs.

With the principle of “Quality Parts,Customers Priority,Honest Operation,and Considerate Service”,our business mainly focus on the distribution of electronic components. Line cards we deal with include Microchip,ALPS,ROHM,Xilinx,Pulse,ON,Everlight and Freescale. Main products comprise IC,Modules,Potentiometer,IC Socket,Relay,Connector.Our parts cover such applications as commercial,industrial, and automotives areas.

We are looking forward to setting up business relationship with you and hope to provide you with the best service and solution. Let us make a better world for our industry!



## Contact us

Tel: +86-755-8981 8866 Fax: +86-755-8427 6832

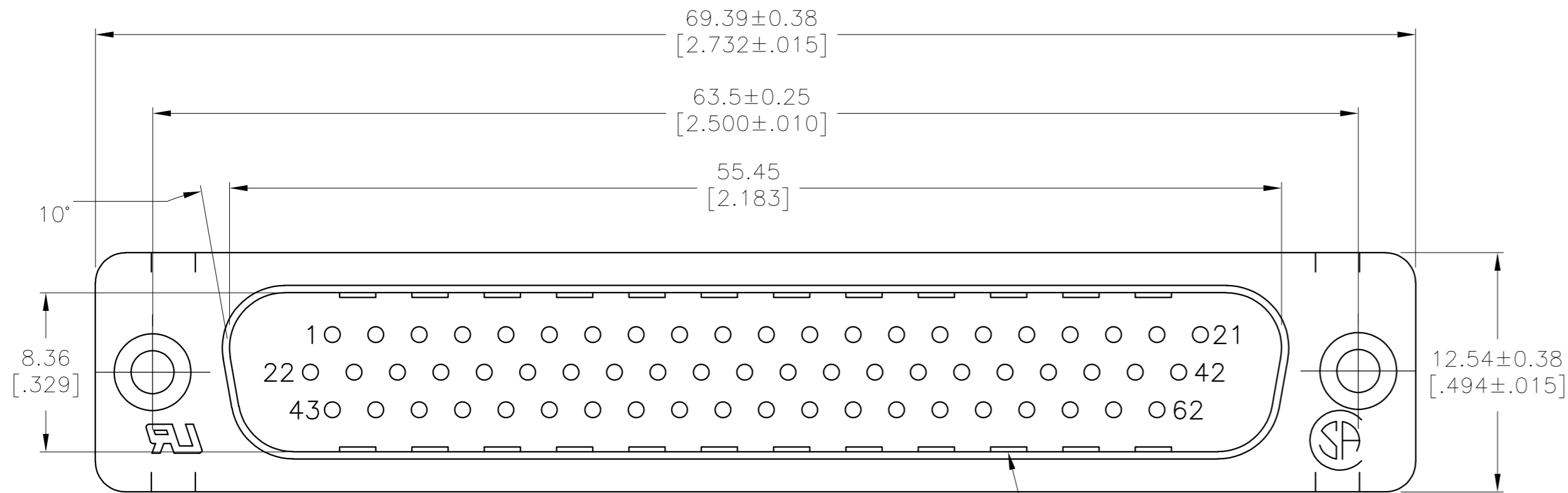
Email & Skype: info@chipsmall.com Web: www.chipsmall.com

Address: A1208, Overseas Decoration Building, #122 Zhenhua RD., Futian, Shenzhen, China

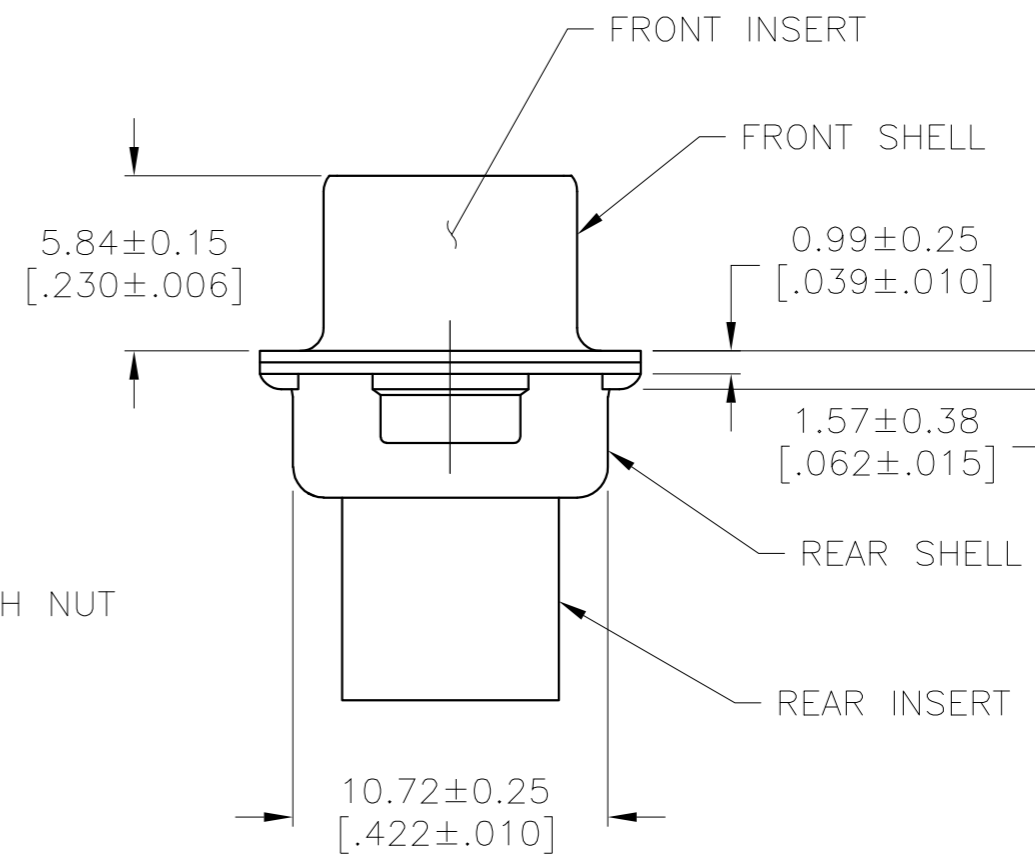
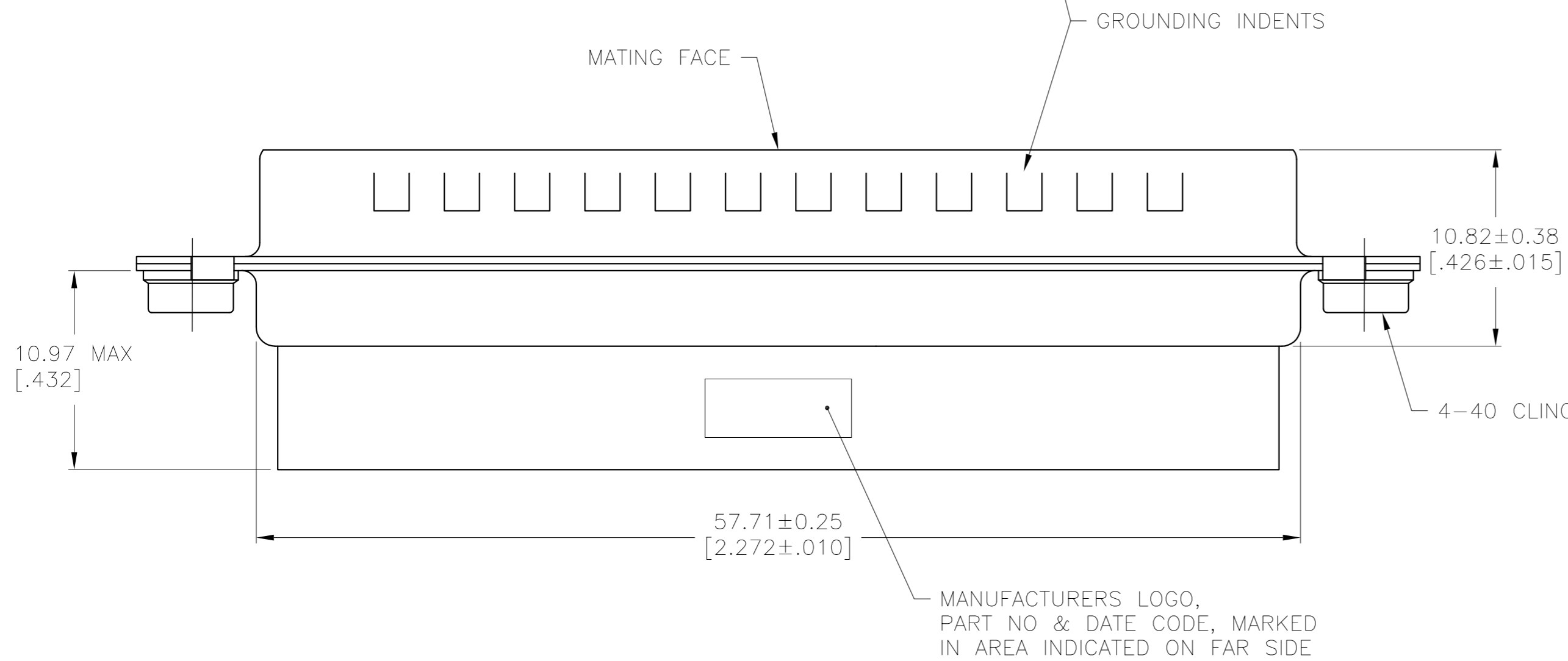


THIS DRAWING IS UNPUBLISHED. RELEASED FOR PUBLICATION  
 © COPYRIGHT - By - ALL RIGHTS RESERVED.

LOC	DIST	REVISIONS			
P	LTR	DESCRIPTION	DATE	DWN	APVD
GP	00	A	REVISED PER ECO-11-002006	14APR2011	CJV CWR



- △ INSERTS: GLASS FILLED NYLON, UL 94V-0 RATED, COLOR BLACK.  
SHELLS: CARBON STEEL PER ASTM A109.  
CLINCH NUTS: CARBON STEEL PER ASTM A108.
- △ SHELLS: 0.00508 [.000200] MIN TIN OVER 0.00254 [.000100] MIN COPPER.  
CLINCH NUTS: CLEAR CHROMATE OVER ZINC.
- 3. CONNECTOR ACCEPTS SIZE 22 DF PIN CONTACTS. RETENTION TINES ARE AN INTEGRAL PART OF INSERT.



6658293

6658293-1  
PART NUMBER

**COPYRIGHT 2005  
 TYCO ELECTRONICS CORP  
 ALL RIGHTS RESERVED**

THIS DRAWING IS A CONTROLLED DOCUMENT.		DWN G. ATTADIA - DOCK5 11-12-04	TE Connectivity	
DIMENSIONS: mm [INCHES]		CHK J. GERACE 11-12-04	NAME M. WALMSLEY 11-12-04	
TOLERANCES UNLESS OTHERWISE SPECIFIED: 0 PLC ± - 1 PLC ± - 2 PLC ± 0.13[.005] 3 PLC ± - 4 PLC ± - ANGLES ± -		APVD M. WALMSLEY 11-12-04	PRODUCT SPEC APPLICATION SPEC	
MATERIAL		WEIGHT	SIZE A2	CAGE CODE 00779
FINISH		CUSTOMER DRAWING	DRAWING NO C=6658293	RESTRICTED TO
		SCALE 4:1	SHEET 1 of 1	REV A