



Chipsmall Limited consists of a professional team with an average of over 10 year of expertise in the distribution of electronic components. Based in Hongkong, we have already established firm and mutual-benefit business relationships with customers from,Europe,America and south Asia,supplying obsolete and hard-to-find components to meet their specific needs.

With the principle of "Quality Parts,Customers Priority,Honest Operation,and Considerate Service",our business mainly focus on the distribution of electronic components. Line cards we deal with include Microchip,ALPS,ROHM,Xilinx,Pulse,ON,Everlight and Freescale. Main products comprise IC,Modules,Potentiometer,IC Socket,Relay,Connector.Our parts cover such applications as commercial,industrial, and automotives areas.

We are looking forward to setting up business relationship with you and hope to provide you with the best service and solution. Let us make a better world for our industry!



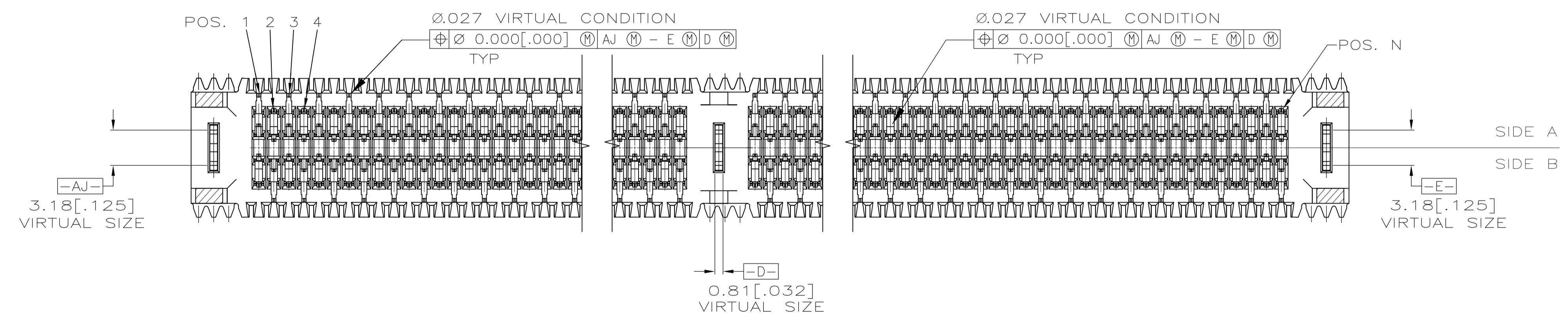
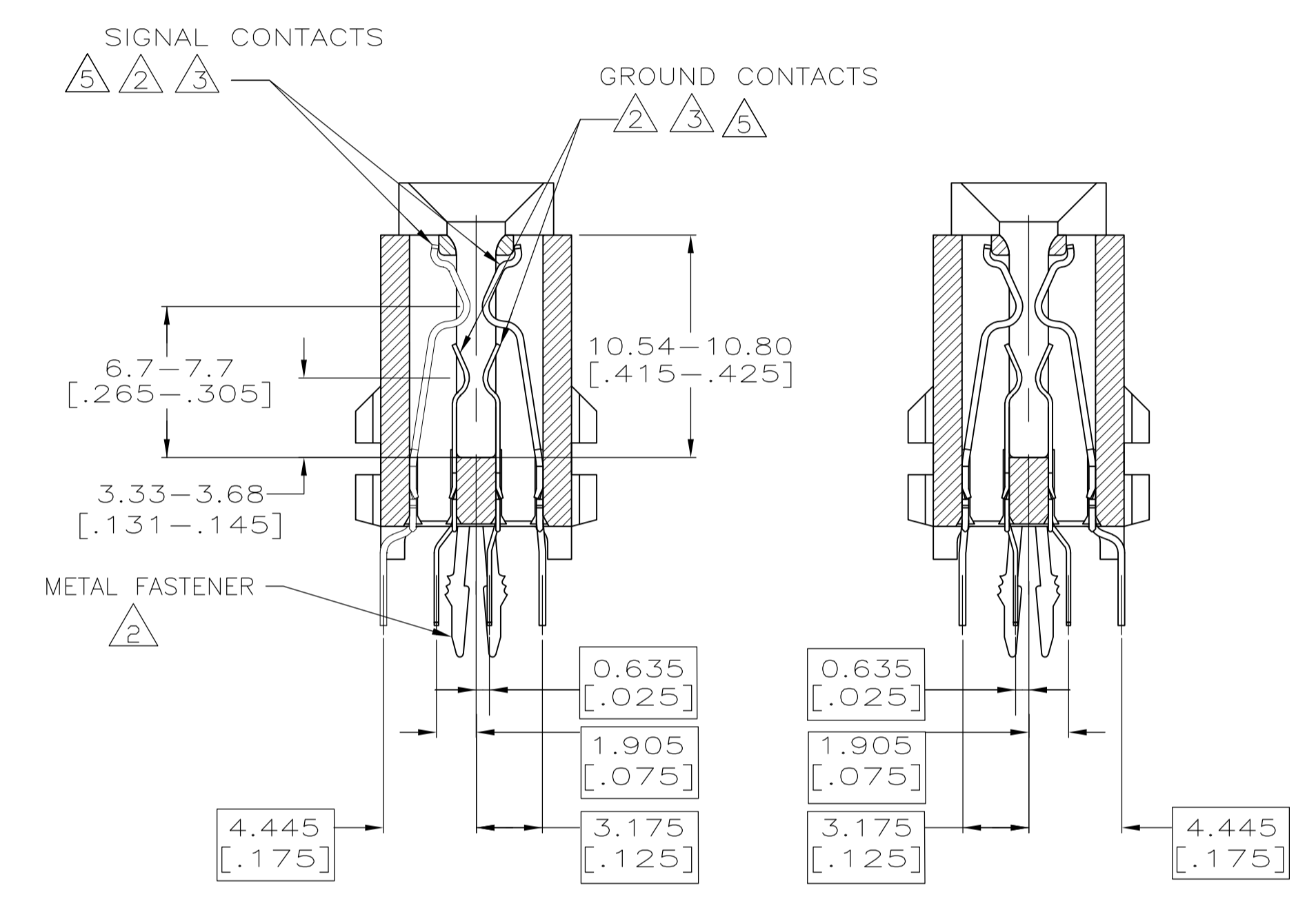
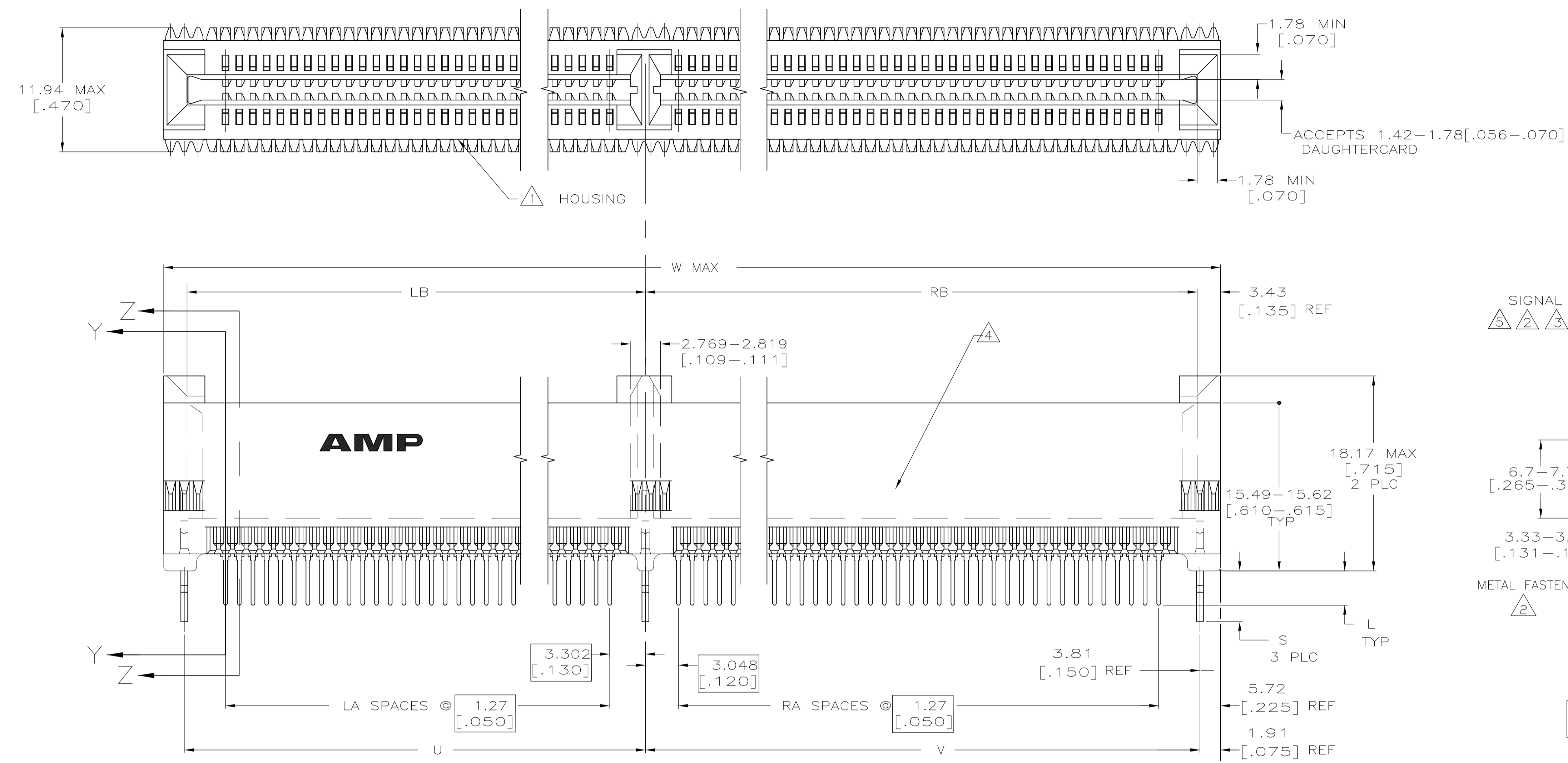
Contact us

Tel: +86-755-8981 8866 Fax: +86-755-8427 6832

Email & Skype: info@chipsmall.com Web: www.chipsmall.com

Address: A1208, Overseas Decoration Building, #122 Zhenhua RD., Futian, Shenzhen, China





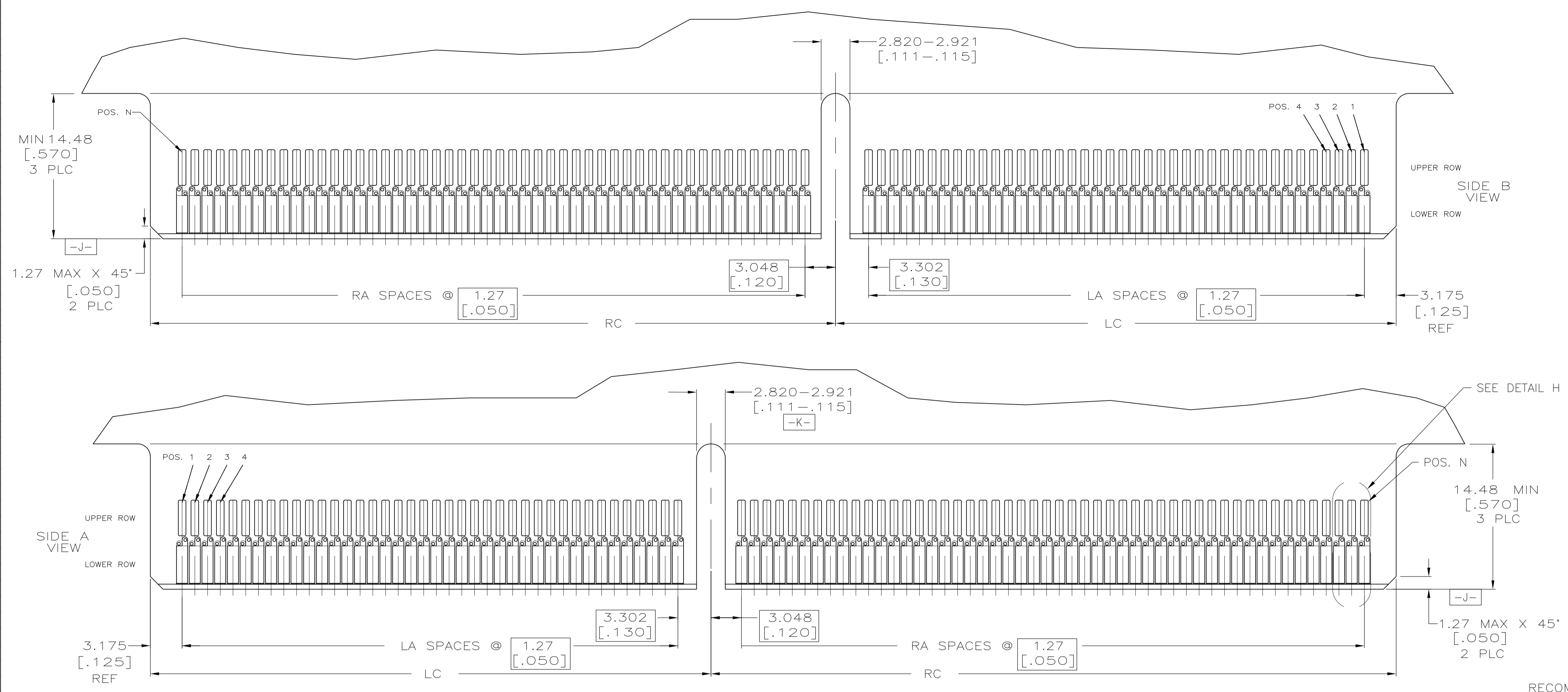
- MATERIAL: PCT, COLOR- BROWN.
- UPPER & LOWER CONTACT MATERIAL: PHOSPHOR BRONZE PER CDA C51100. FASTENER MATERIAL: BRASS
- CONTACT FINISH:
ON MATING SURFACES-
0.00076 [.000030] MIN GOLD PLATE OVER
0.00127 [.000050] MIN NICKEL.
ON SOLDER LEADS-
0.00254 [.000100] MIN TIN OVER 0.00127 [.000050] MIN NICKEL
- PART NUMBER AND DATE CODE MARKED ON THIS SURFACE.
- CONTACT AREA LUBRICATED WITH BELLCORE APPROVED LUBRICANT. TECHNICAL REFERENCE GR-1217-CORE. ISSUE 1, NOVEMBER 1995.

SUPERCEDED BY 6658664-2

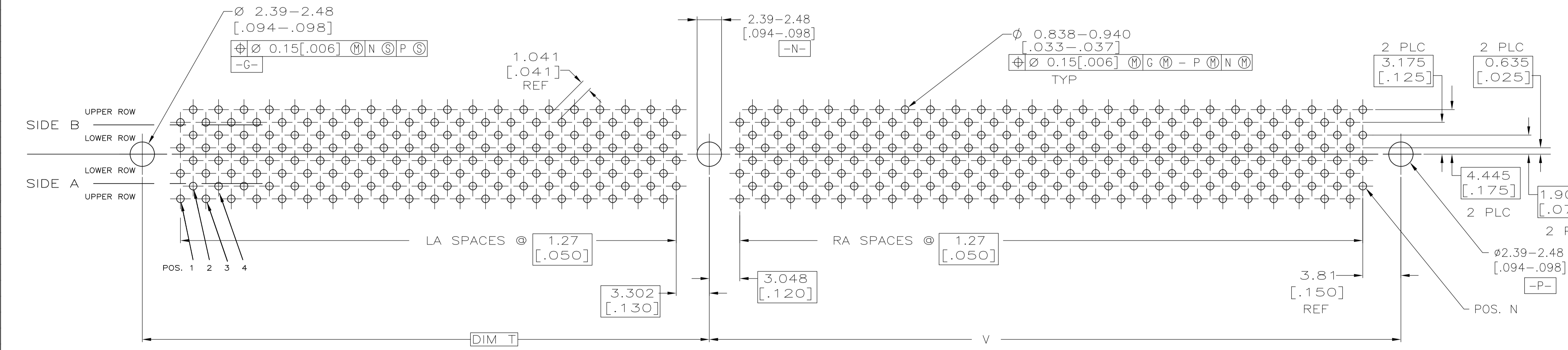
83.69 [3.295]	83.95-84.20 [3.305-3.315]	61	66.17 [2.605]	66.42-66.68 [2.615-2.625]	47	155.35 [6.116]	84.25-84.40 [3.317-3.323]	66.73-66.88 [2.627-2.633]	66.81 [2.630]	4.44-4.95 [.175-.195]	2.29-2.79 [.090-.110]	440	110	6658664-2
83.69 [3.295]	83.95-84.20 [3.305-3.315]	61	66.17 [2.605]	66.42-66.68 [2.615-2.625]	47	155.35 [6.116]	84.25-84.40 [3.317-3.323]	66.73-66.88 [2.627-2.633]	66.81 [2.630]	4.44-4.95 [.175-.195]	2.29-2.79 [.090-.110]	440	110	6658664-1
RC	RB	RA	LC	LB	LA	W	V	U	T	S	L	NO. OF TOTAL POSN	NO. OF QUAD POSN	PART NUMBER

THIS DRAWING IS A CONTROLLED DOCUMENT.		DIN G ATTADIA - DOCKS 01-27-05		Tyco Electronics Corporation	
DIMENSIONS: mm		TOLERANCES UNLESS OTHERWISE SPECIFIED:		Tyco Electronics Corporation Harrisburg, Pa 17105-3608	
0 PLC ± -		1 PLC ± .13 [.005]		NAME: CONNECTOR ASSEMBLY, AMP SEC-Z (FOR .062 DAUGHTER BOARD)	
2 PLC ± -		3 PLC ± -		APPLICATION SPEC: 108-1863	
4 PLC ± -		ANGLES ± °		SIZE: A1	
MATERIAL: SEE NOTE 1		FINISH: SEE NOTE 3		WEIGHT: -	
				CUSTOMER DRAWING	

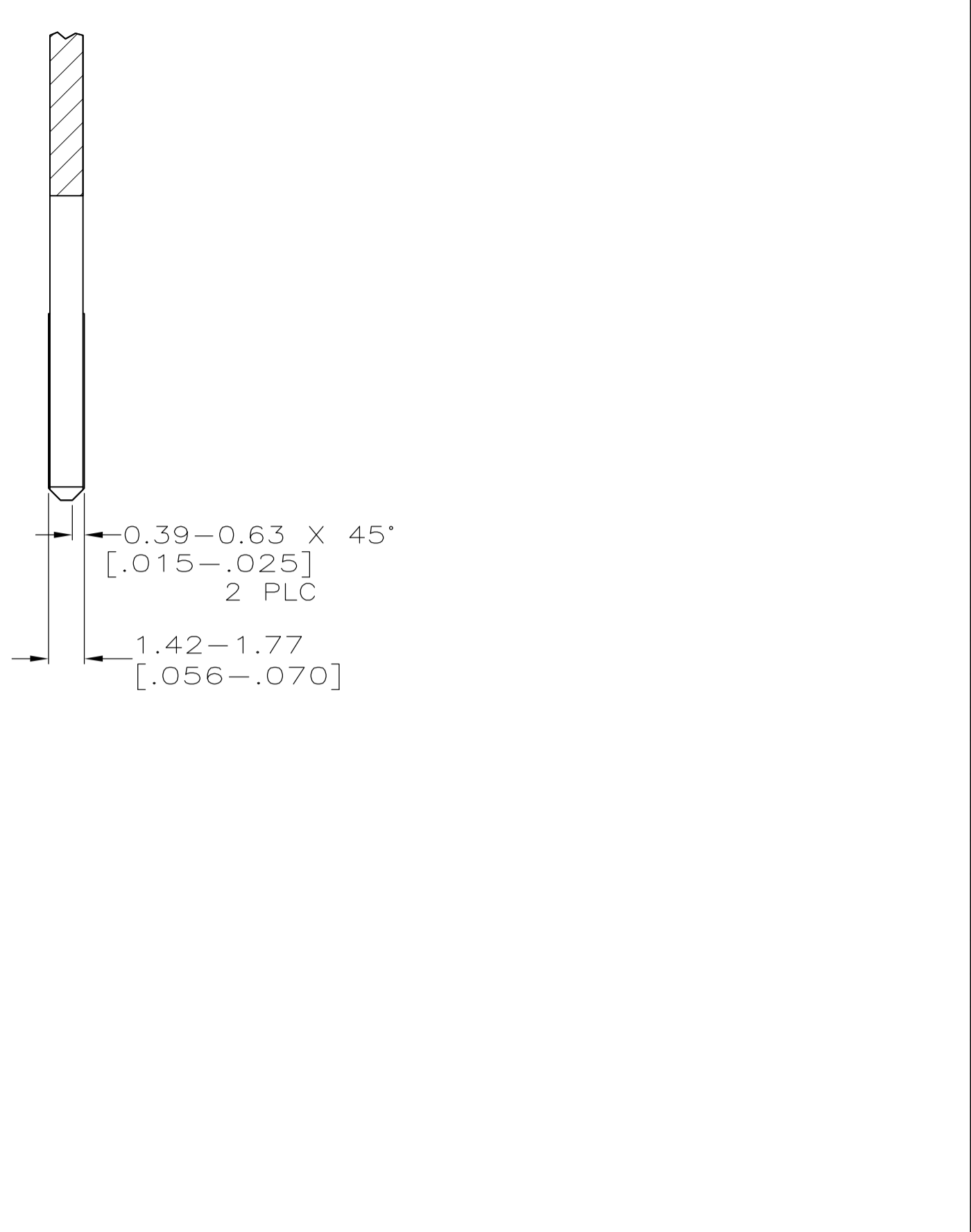
LOC		DIST		REVISIONS			
AA	00	F	LTR	DESCRIPTION	DATE	DN	APVD
				SEE SHEET 1			



RECOMMENDED FREE BOARD EDGE CONFIGURATION



RECOMMENDED FIXED BOARD CONFIGURATION
(CONNECTOR SIDE SHOWN)



DETAIL H
SCALE: 10 : 1

THIS DRAWING IS A CONTROLLED DOCUMENT.		DIN G. ATTADIA - DOCKS 01-27-05	Tyco Electronics Tyco Electronics Corporation Harrisburg, Pa 17105-3608	
DIMENSIONS: mm		CIK M. PERCHERKE 01-27-05	NAME	
TOLERANCES UNLESS OTHERWISE SPECIFIED:		APVD M. PERCHERKE 01-27-05	PRODUCT SPEC	
0 PLC ± -		APPLICATION SPEC		
1 PLC ± -		SIZE		
2 PLC ± ± .13 [.005]		CAGE CODE		
3 PLC ± ± .13 [.005]		DRAWING NO		
4 PLC ± ± .13 [.005]		RESTRICTED TO		
ANGLES ± ± °		A1 00779 C=6658664		
MATERIAL		CUSTOMER DRAWING		
FINISH		SCALE 4:1 SHEET 2 OF 2 REV C		